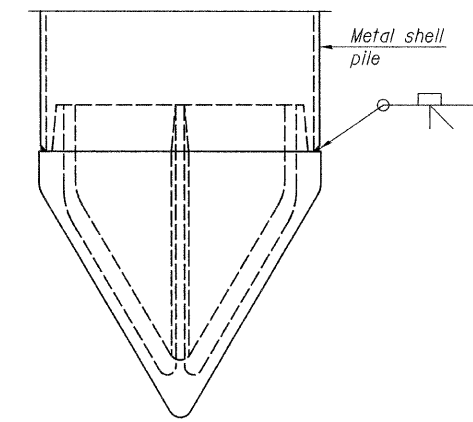
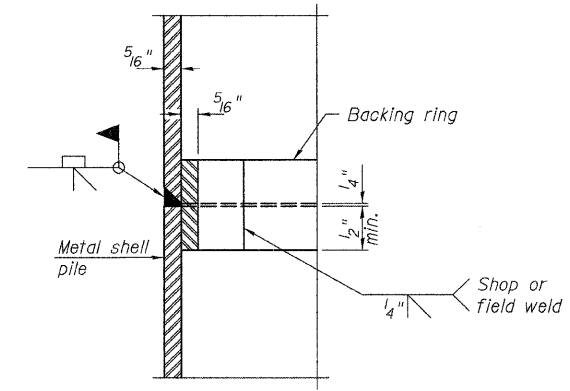
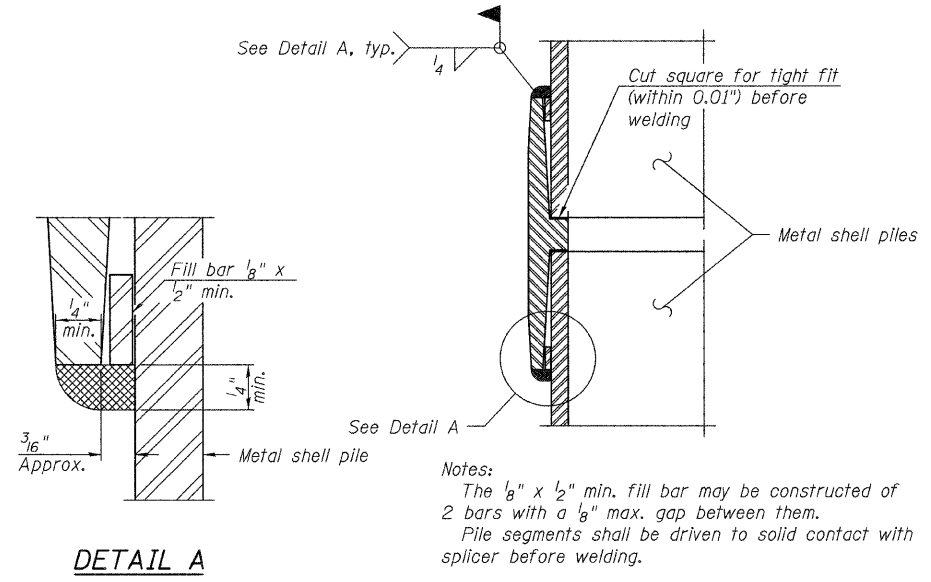
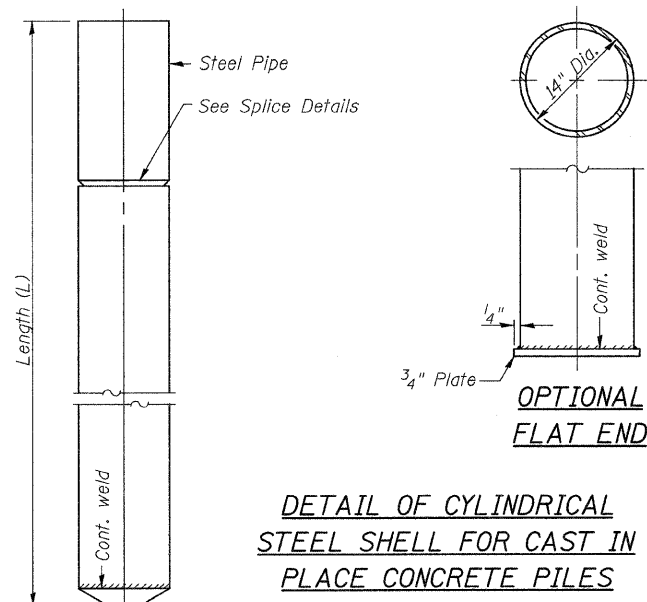
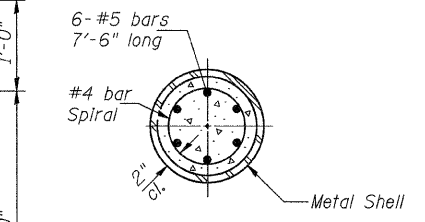
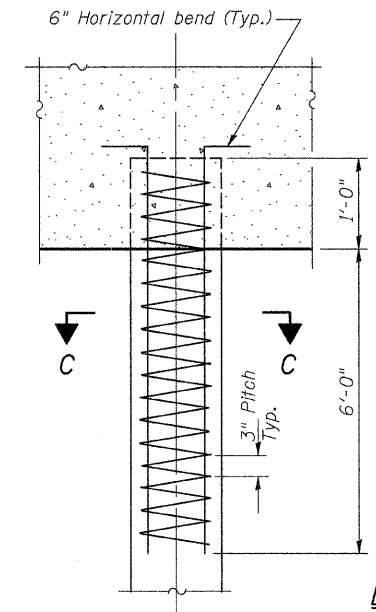
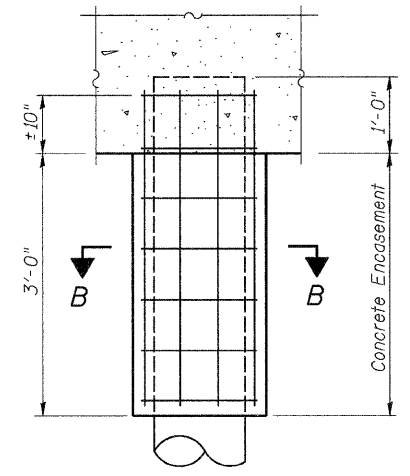
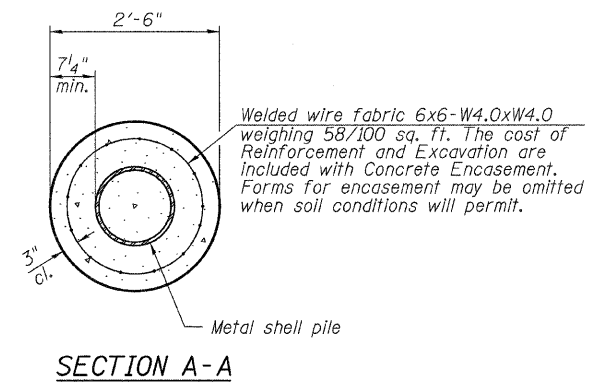
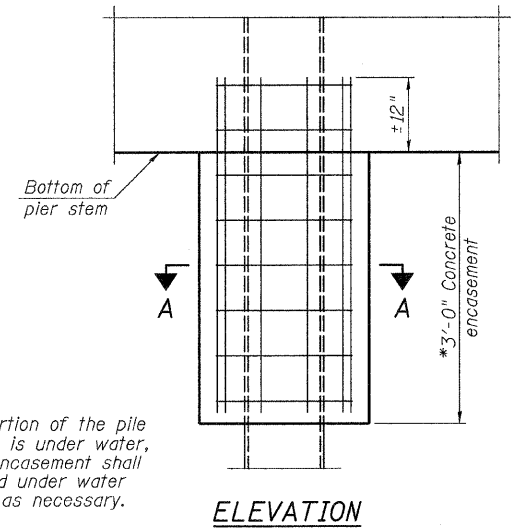


Notes: Driving and bearing ends of pipe shall be cut square. The thickness of the shell shall be 0.312 inches with a tolerance of 5%. The shell shall be according to Article 1006.05(a) of the Standard Specifications, and shall be ASTM A252 Grade 3.



Note A:
When called for on the plans, the Contractor shall furnish metal shell pile shoes consisting of a single piece conical pile point as shown. The pile shoes shall be cast in one piece steel according to either ASTM A 148 Grade 90-60 or AASHTO M 103 Grade 65-35 and shall provide full bearing over the full circumference of the metal shell pile. The pile shoe shall have tapered leads to assure proper alignment and fitting and shall be secured to the pile with a circumferential weld.



DETAIL OF REINFORCEMENT FOR METAL SHELLS AT ABUTMENTS

PILE DETAILS
TOWNSHIP ROAD 134A OVER MAUVAISE TERRE CREEK
SECTION 06-06120-00-BR
MORGAN COUNTY
STATION 20+00.00