

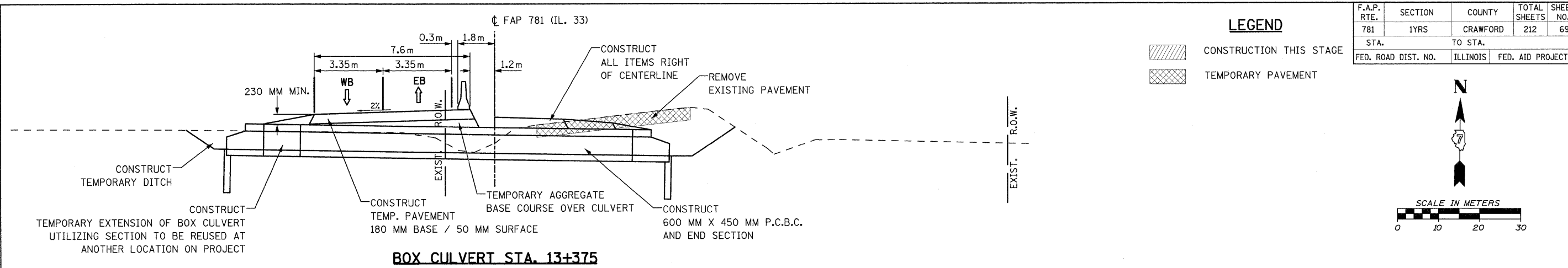
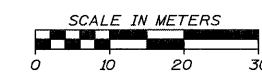


F.A.P. RTE.	SECTION	COUNTY	TOTAL SHEETS	SHEET NO.
781	1YRS	CRAWFORD	212	69

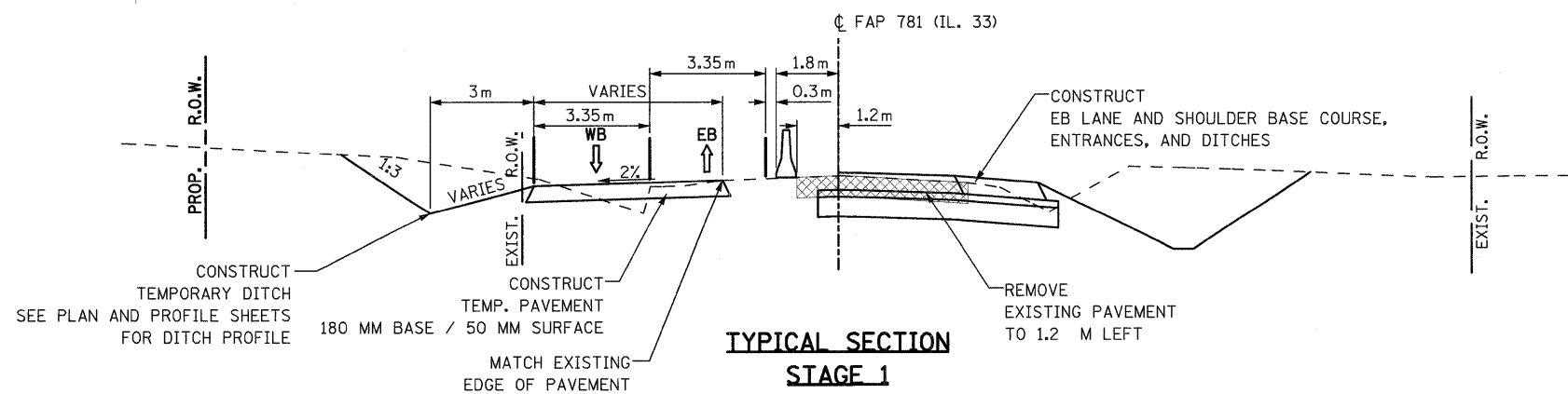
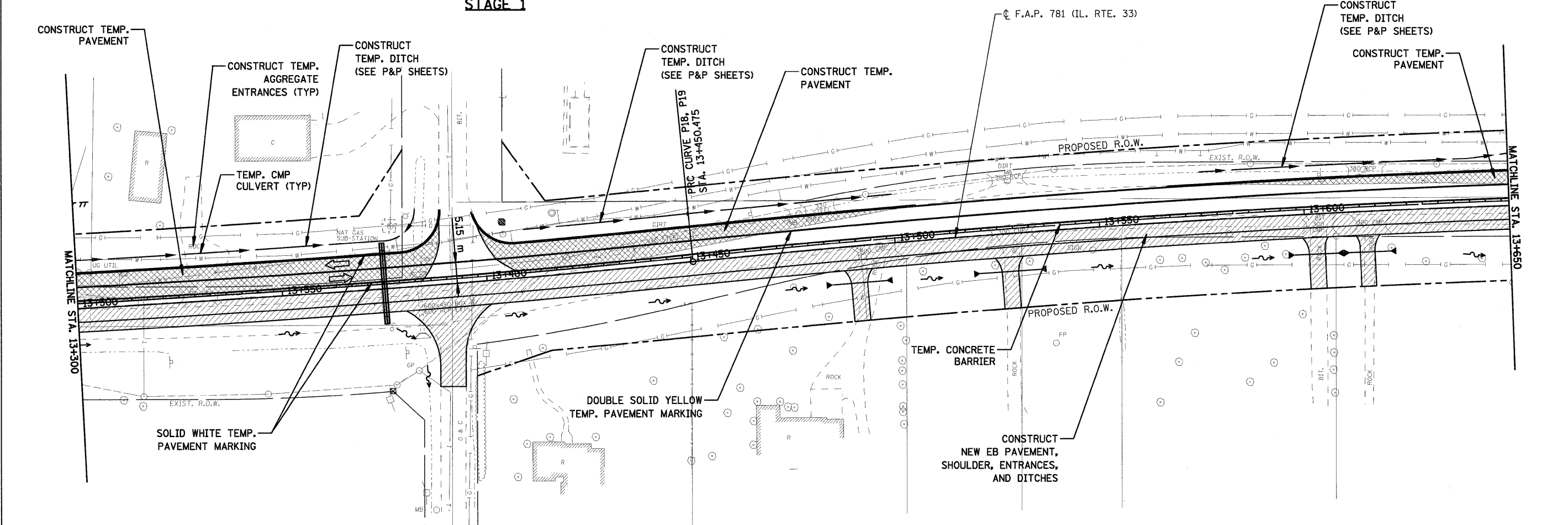
STA.	TO STA.	FED. ROAD DIST. NO.	ILLINOIS	FED. AID PROJECT

**LEGEND**

-  CONSTRUCTION THIS STAGE
-  TEMPORARY PAVEMENT



**BOX CULVERT STA. 13+375  
STAGE 1**



**STAGING NOTES:**

1. CONSTRUCT TEMPORARY AGGREGATE ENTRANCES WITH CMP CULVERTS AS NEEDED TO MAINTAIN ACCESS.
2. TWO-WAY / TWO-LANE TRAFFIC SHALL BE RESTORED AT THE END OF THE WORK DAY. TWO-WAY / ONE-LANE TRAFFIC SHALL BE USED ON A LIMITED BASIS, WHEN REQUIRED, UTILIZING THE APPROPRIATE STANDARD.
3. FINAL HMA SURFACE COURSE SHALL BE PLACED THROUGHOUT THE PROJECT LIMITS AS A SEPARATE STAGE.

PLOT DATE = 12/22/2008  
 FILE NAME = P:\4428\Contract\94533\SH1\_069\_stage1\_2.dgn

HMG JOB NO. 4420