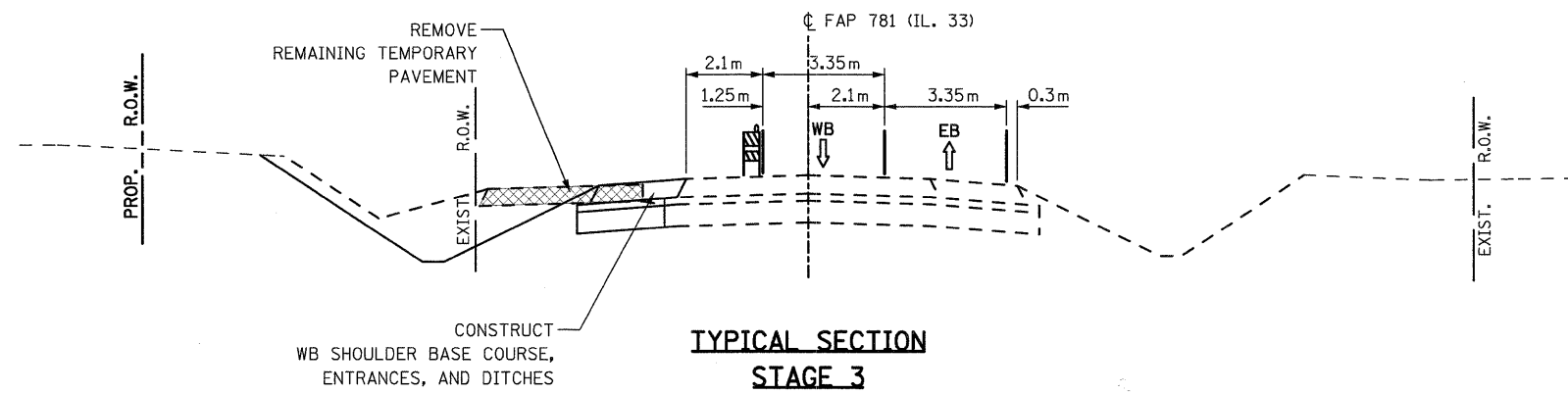
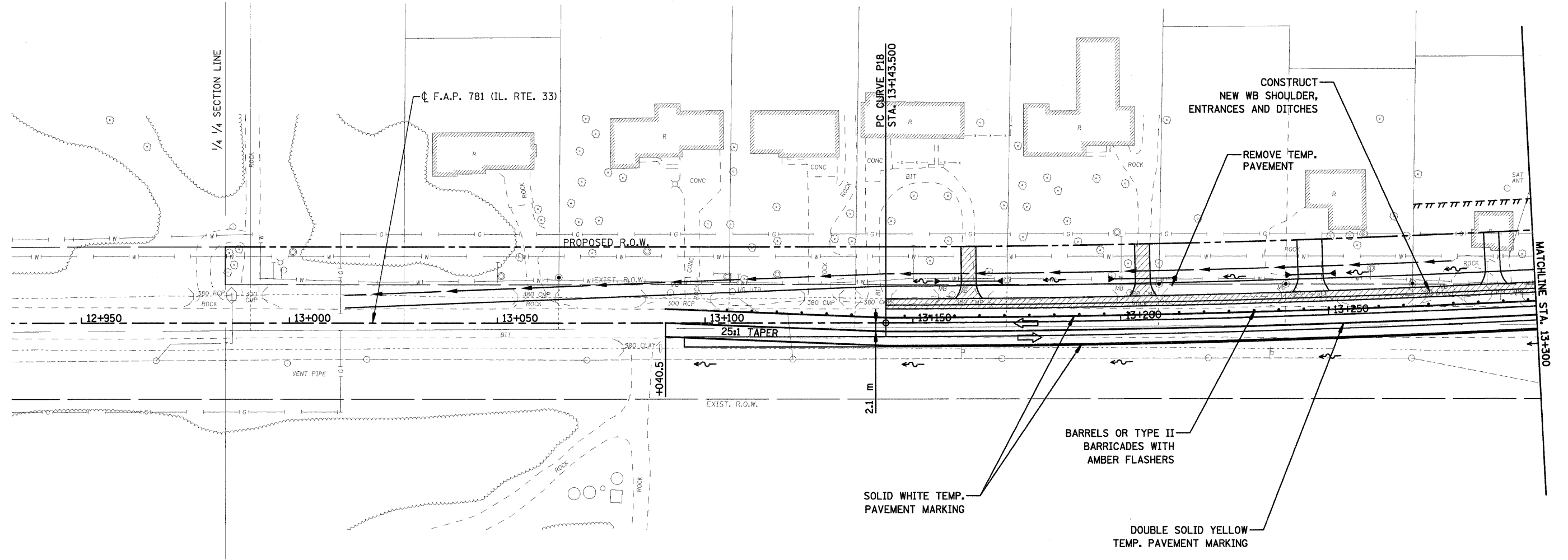
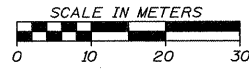


F.A.P. RTE.	SECTION	COUNTY	TOTAL SHEETS	SHEET NO.
781	LYRS	CRAWFORD	212	74
STA. TO STA.				
FED. ROAD DIST. NO.	ILLINOIS	FED. AID PROJECT		

LEGEND

 CONSTRUCTION THIS STAGE



NOTES:

1. MAINTAIN TEMPORARY AGGREGATE ENTRANCES AS NEEDED TO MAINTAIN ACCESS.
2. TWO-WAY / TWO-LANE TRAFFIC SHALL BE RESTORED AT THE END OF THE WORK DAY. TWO-WAY / ONE-LANE TRAFFIC SHALL BE USED ON A LIMITED BASIS, WHEN REQUIRED, UTILIZING THE APPROPRIATE STANDARD.
3. FINAL HMA SURFACE COURSE SHALL BE PLACED THROUGHOUT THE PROJECT LIMITS AS A SEPARATE STAGE.

PLOT DATE = 12/22/2008
FILE NAME = H:\V\20\Contract 94533\SH1_074_stage3_1.dgn

HMG JOB NO. 4420