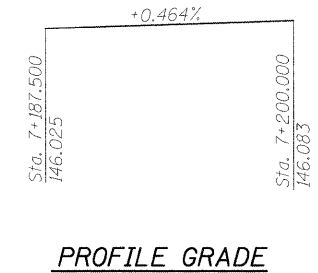
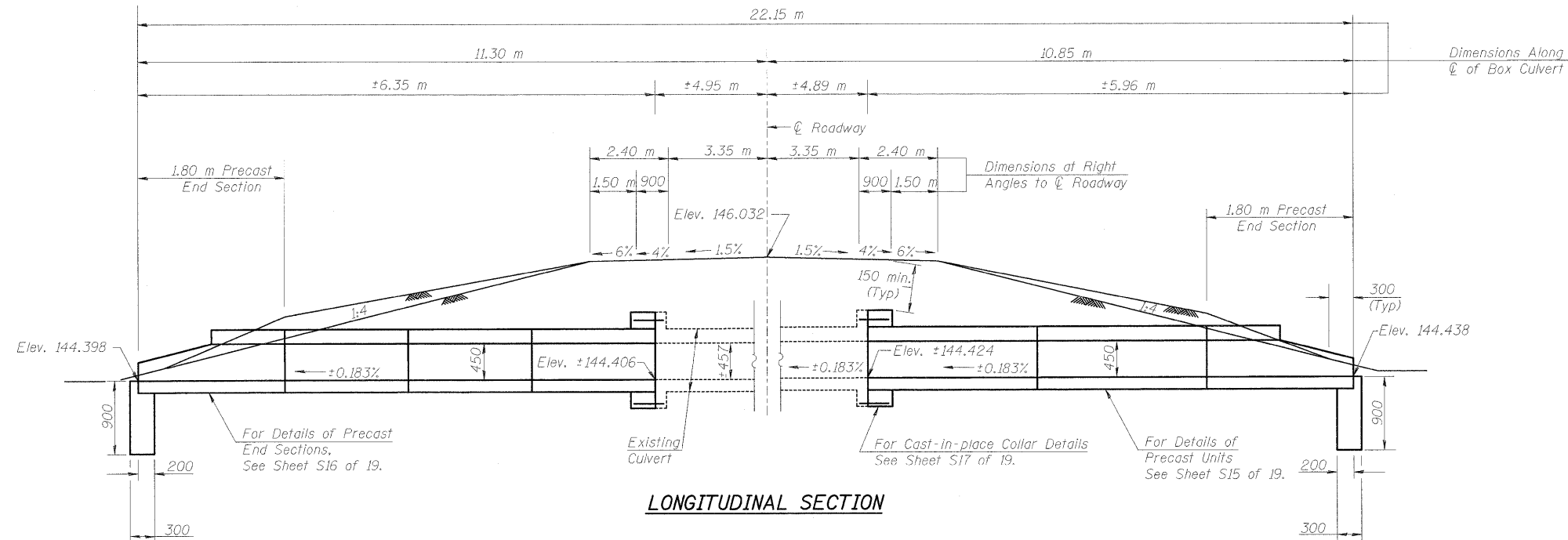


F.A.P. RTE.	SECTION	COUNTY	TOTAL SHEETS	SHEET NO.
781	1YRS	CRAWFORD	212	97
STA.		TO STA.		
FED. ROAD DIST. NO.		ILLINOIS	FED. AID PROJECT	

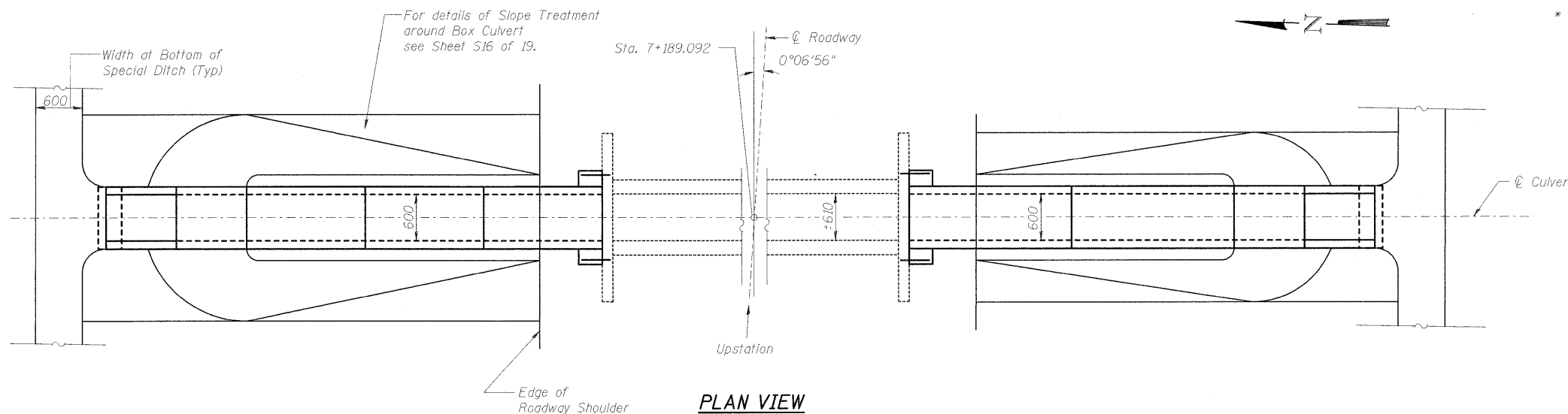
Existing Structure: The structure is a single barrel 610 mm x 457 mm box culvert at a skew of 0°6'56" right forward. The culvert has an overall length of 9.84 m. The contractor shall extend the culvert on each end for the dimensions shown.



BILL OF MATERIAL - BOX CULVERT NO. 10

Item	Unit	Total
M5030350 Concrete Structures	cu. m.	0.4
M5080205 Reinforcement Bars, Epoxy Coated	kg	90
M5401002 Precast Concrete Box Culvert (600x450)	m	8.7
* 5401010 Box Culvert End Section, Culvert No. 10	Each	2
M5403220 Expansion Bolts (M20x250)	Each	20
M2810707 Stone Riprap, Class A4	sq. m.	See Plans

* Non-standard size.



PLOT DATE = 12/22/2008
FILE NAME = H:\442\Contract\94533\SHT_097_5-94.dgn

REVISIONS	
NAME	DATE
LWJ	12-18-08

ILLINOIS DEPARTMENT OF TRANSPORTATION
BOX CULVERT EXTENSIONS
 GENERAL PLAN & ELEVATION
 BOX CULV. NO. 10, STA. 7+189.092

SCALE NONE DRAWN BY MLB
 DATE DECEMBER 10, 2006 CHECKED BY MTH