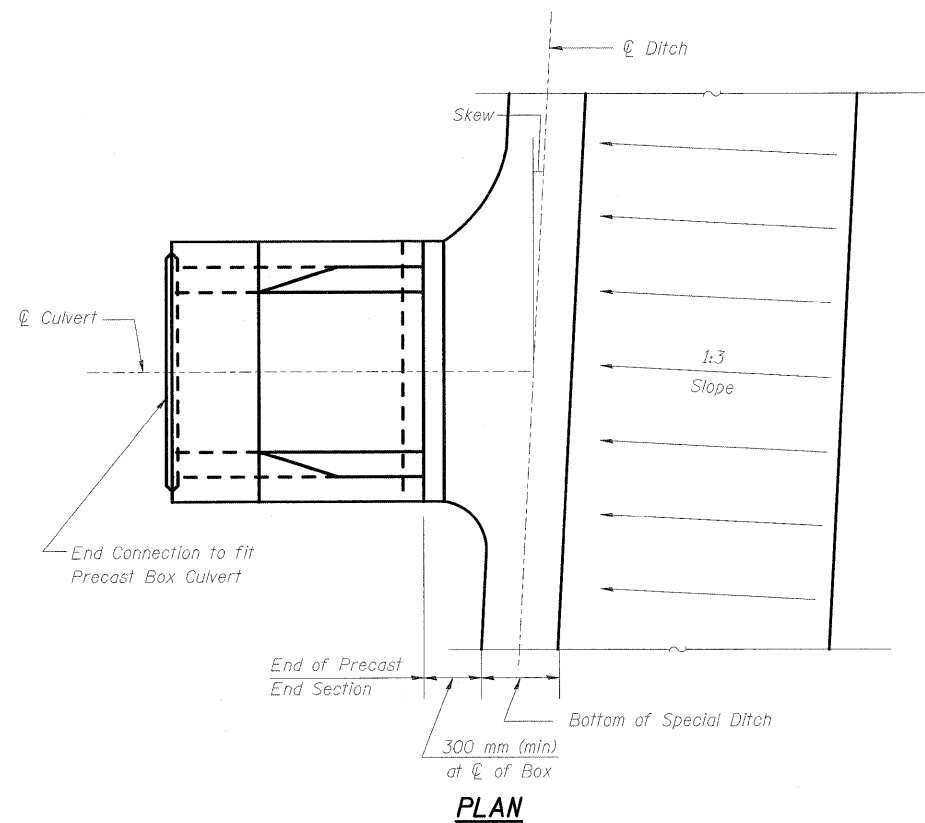
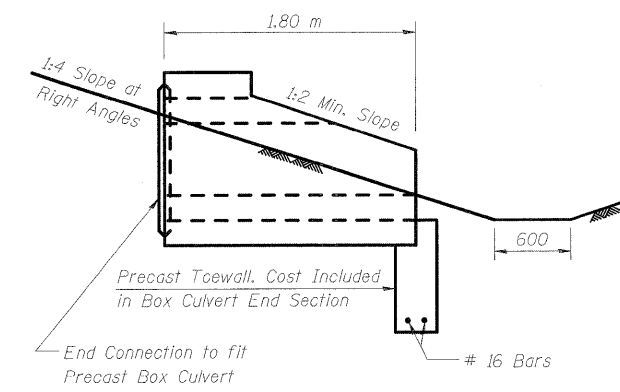


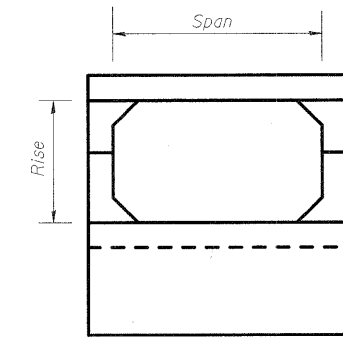
F.A.P. RTE.	SECTION	COUNTY	TOTAL SHEETS	SHEET NO.
781	1YRS	CRAWFORD	212	106
STA.		TO STA.		
FED. ROAD DIST. NO.	ILLINOIS	FED. AID PROJECT		



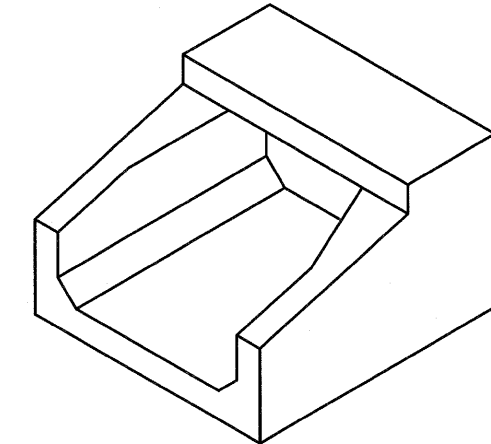
PLAN



SIDE VIEW



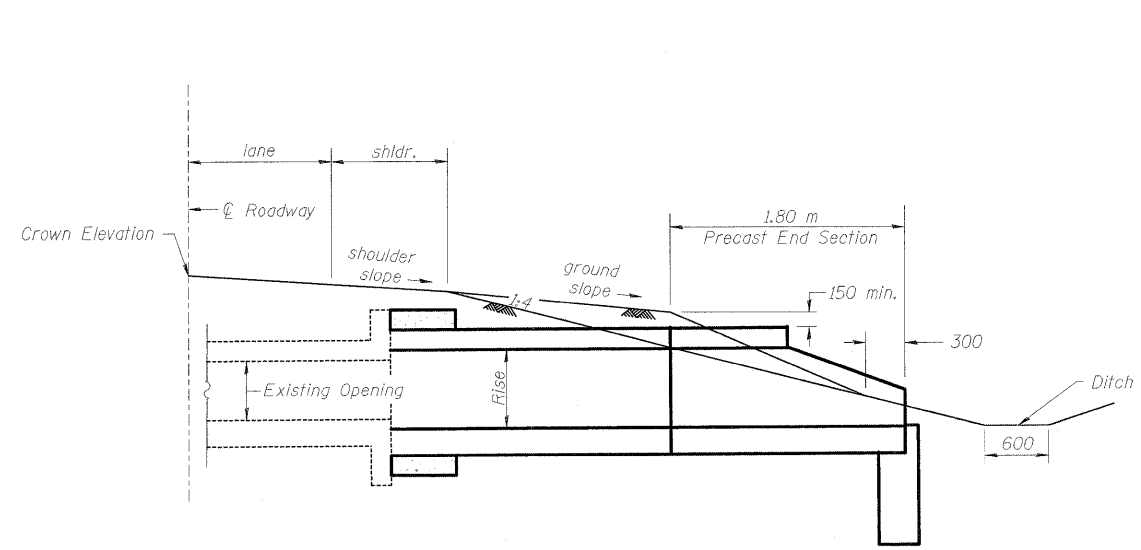
END VIEW



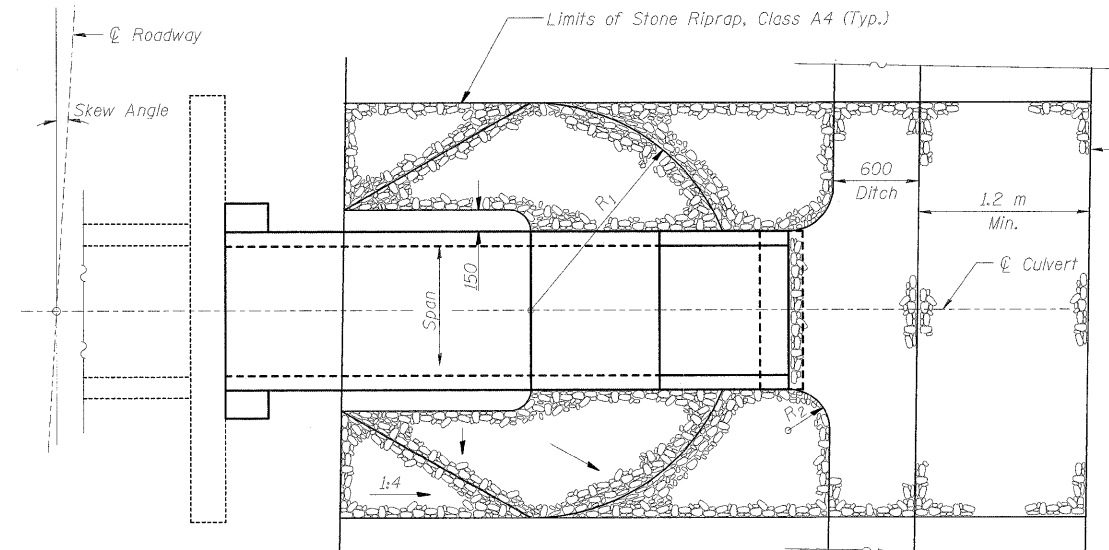
ISOMETRIC VIEW

PRECAST CONCRETE BOX CULVERT END SECTION DETAILS

Box Culvert No.	Span	Rise
8	3000	1650
10	600	450
11	900	600
15	600	450
16	900	450
17	600	600



LONGITUDINAL SECTION



PLAN VIEW

*Limits of Stone Riprap, Class A4

*If formed ditch is not present, riprap shall be extended 1.2m past projected toe of ditch.

Note:

The Stone Riprap shall extend to an elevation of the top of the Top Slab within the outline shown. The Radii R₁ & R₂ shall be determined in the field.

SLOPE TREATMENT DETAILS

GENERAL NOTES

1. Reinforcement for precast box end sections shall conform to specifications for the same size box unit for the specifications specified for that culvert.
2. Reinforcement shall be welded wire fabric conforming to ASTM A-185. Laps, welds and spacing shall conform to ASTM C-789 and AASHTO M-259.

REVISIONS	
NAME	DATE
LWJ	12-18-08

ILLINOIS DEPARTMENT OF TRANSPORTATION
**BOX CULVERT EXTENSIONS
PRECAST END SECTION DETAILS**

SCALE NONE
DATE DECEMBER 10, 2006
DRAWN BY MLB
CHECKED BY MTH

PLOT DATE = 12/22/2008
FILE NAME = H:\4420\Contract 94533\SH1_106_S-13.dgn