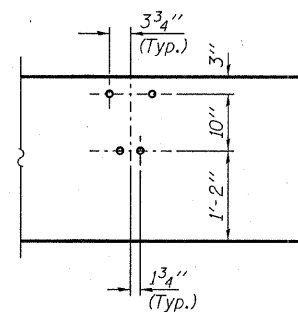
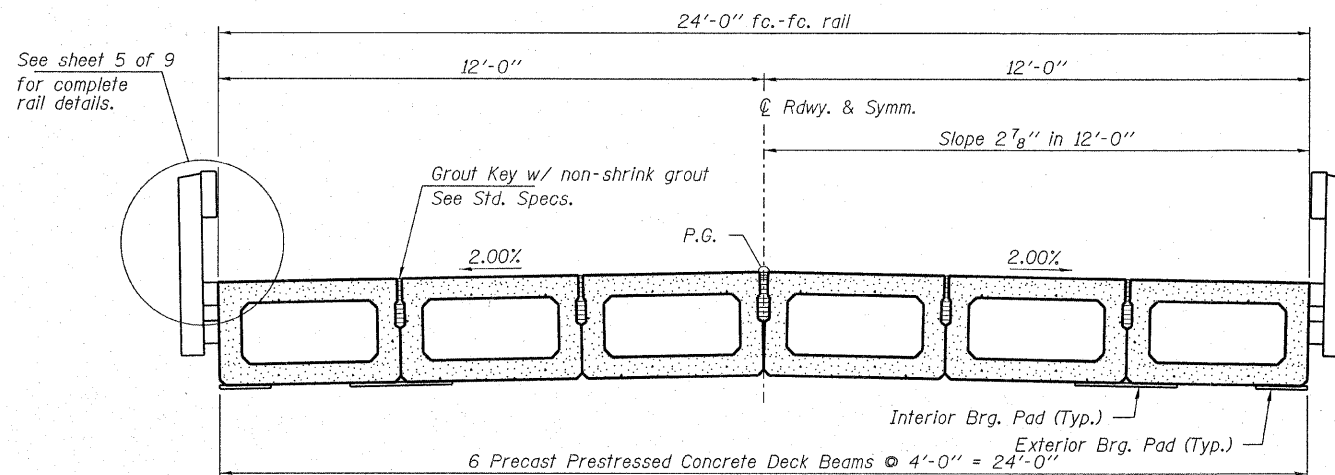


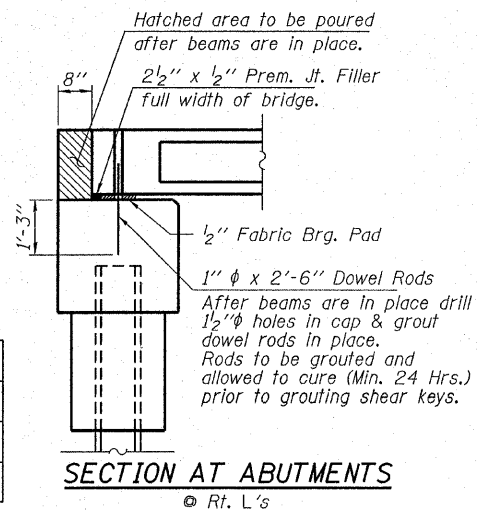
**ELEVATION**  
 Showing Rail Post Spaces  
 See sheet 5 of 9 for Railing Details.



**DETAIL A**



**CROSS SECTION**  
 See sheets 2 & 3 of 9 for Superstructure.



DESIGNED - S.M.S.
CHECKED - S.W.M.
DRAWN - D.T.M.
CHECKED - D.T.M.

**SUPERSTRUCTURE DETAILS**  
**STRUCTURE NO. 024-3136**

<b>HAMPTON, LENZINI &amp; RENWICK, INC.</b> CIVIL & STRUCTURAL ENGINEERS LAND SURVEYORS <b>HLR</b> 3085 STEVENSON DRIVE, SUITE 201 SPRINGFIELD, ILLINOIS 62703 (217) 546-3400 PROJECT NUMBER: 08.0184.130 DATE: 11/05/08	SHEET NO. 4	C.H. 4	SECTION 06-00061-00-BR	COUNTY EDWARDS	TOTAL SHEETS 13	SHEET NO. 8
	9 SHEETS	CONTRACT NO. 95571			FED. ROAD DIST. NO. ILLINOIS FED. AID PROJECT	