

**GENERAL NOTES**

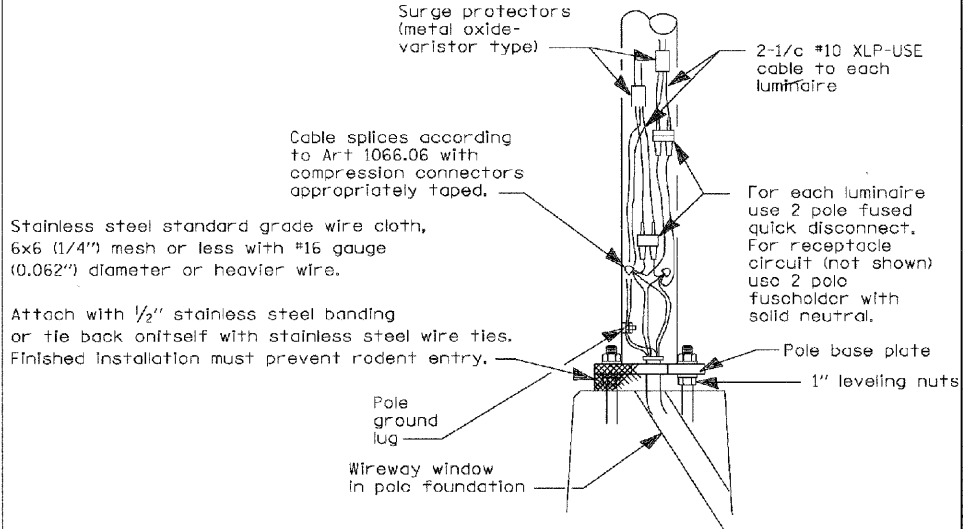
All taped splices shall use 2 layers of electrical tape over 3 layers of rubber tape as required by the Standard Specifications. Coat the finished taped splice with bonding compound.

All cable splices shall be taped unless another method has been specifically approved by the Engineer.

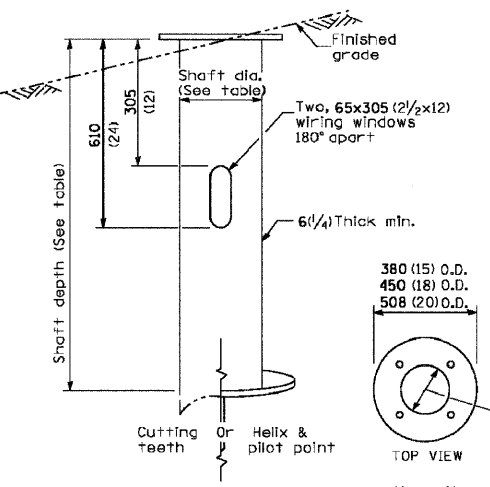
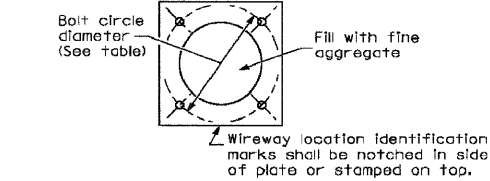
For example purposes the pole is shown on an anchor base. If the pole is required to be set on a breakaway base, consult the Standard Specifications.

LIGHT POLE MOUNTING HEIGHT	BOLT CIRCLE DIAMETER	STEEL FOUNDATION			CONCRETE FOUNDATION		
		SHAFT DIAMETER	SHAFT DEPTH	TOP PLATE (min)	SHAFT DIAMETER	SHAFT DEPTH	ANCHOR ROD LENGTH ①
< 9.1 m (30')	292 (11.5)	220 (8 7/8)	1.83 m (6')	300 x 300 x 25 (12 x 12 x 1)	610 (24)	1.52 m (5'-0")	1.45 m (4'-9")
9.4 m - 10.7 m (31'-35')	292 (11.5)	220 (8 7/8)	1.83 m (6')	300 x 300 x 25 (12 x 12 x 1)	610 (24)	1.67 m (5'-6")	1.60 m (5'-3")
10.9 m - 12.2 m (36'-40')	381 (15) ②	220 (8 7/8)	1.83 m (6') ②	375 x 375 x 31 (15 x 15 x 1 1/4)	762 (30)	1.83 m (6'-0")	1.75 m (5'-9")
12.5 m - 13.7 m (41'-45')	381 (15) ②	220 (8 7/8)	1.83 m (6') ②	375 x 375 x 31 (15 x 15 x 1 1/4)	762 (30)	1.98 m (6'-6")	1.90 m (6'-3")
14.0 m - 15.2 m (46'-50')	381 (15) ②	220 (8 7/8)	2.44 m (8')	375 x 375 x 31 (15 x 15 x 1 1/4)	762 (30)	2.13 m (7'-0")	2.00 m (6'-9")

- ① Length does not include 100(4)hook
- ② 220 mm x 2.44 m (8 7/8" x 8'-0") for Twin luminaires
- ③ Bolt circle diam. shall be 430 (17) when a TB3-17 transformer base is used

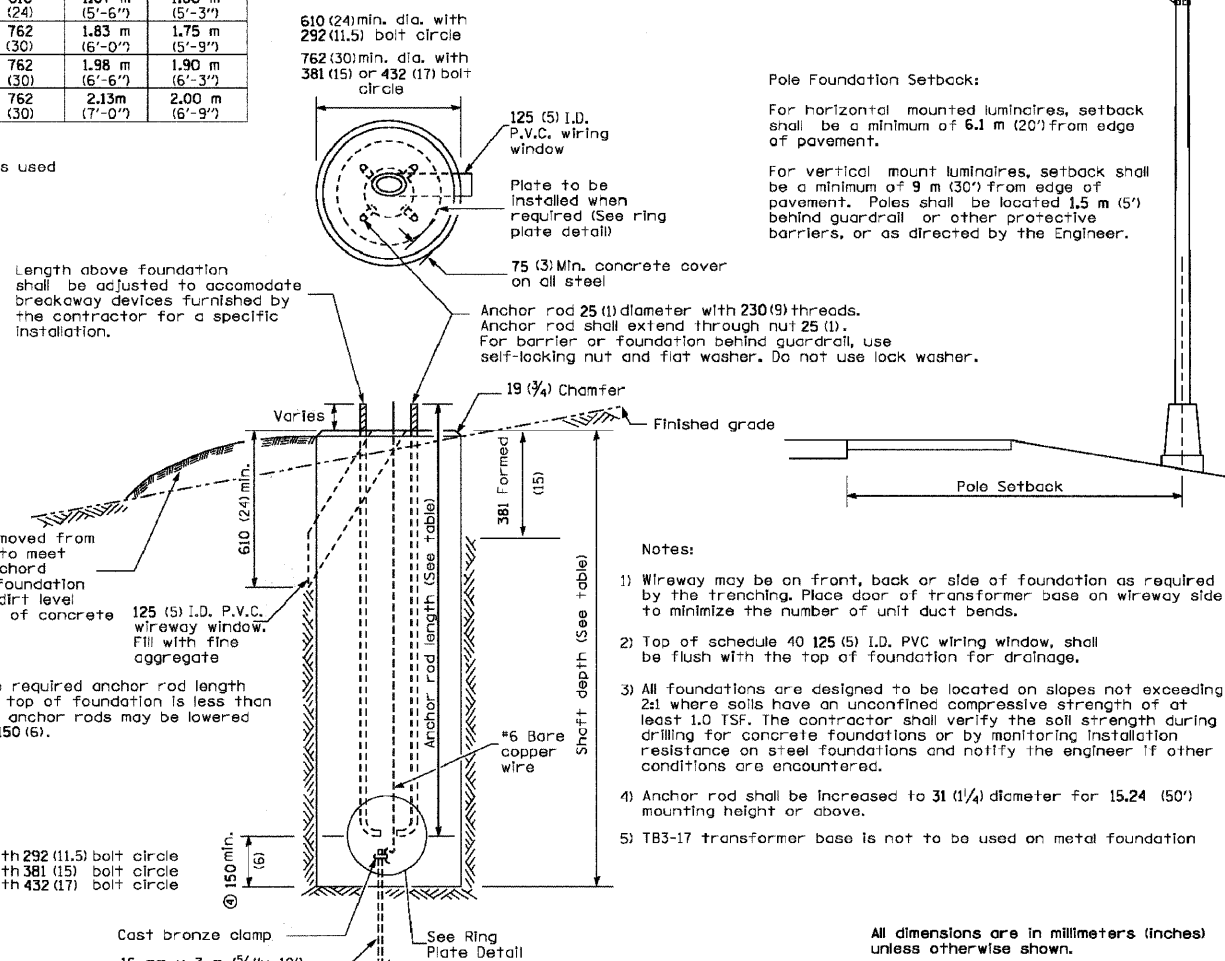


**WIRING DETAIL**  
NO SCALE



**STEEL FOUNDATION**

**RING PLATE DETAIL**  
(When rock is encountered and foundation is shallower)



**CONCRETE FOUNDATION**

DATE	REVISIONS
10/7/02	Bridge Office depth calc.

**LIGHT POLE FOUNDATION**

LGT007-836

FILE NAME = #FILES



USER NAME =	DESIGNED - DAD	REVISED - March 13, 2009
DRAWN - DAD/KJB/WM	REVISED - March 23, 2009	
CHECKED - JJM	REVISED -	
DATE -	REVISED -	

**STATE OF ILLINOIS  
DEPARTMENT OF TRANSPORTATION**

**LIGHT POLE FOUNDATION**

N.T.S. SHEET NO. 1 OF 1 SHEETS STA. TO STA.

F.A.P. RTE.	SECTION	CITY	TOTAL SHEETS	SHEET NO.
323	06-00625-00-SW	DECATUR	121	83
ELDORADO STREETScape PROJECT CONTRACT NO. 95574				
FED. ROAD DIST. NO. ILLINOIS FED. AID PROJECT: TE-0007(35)				