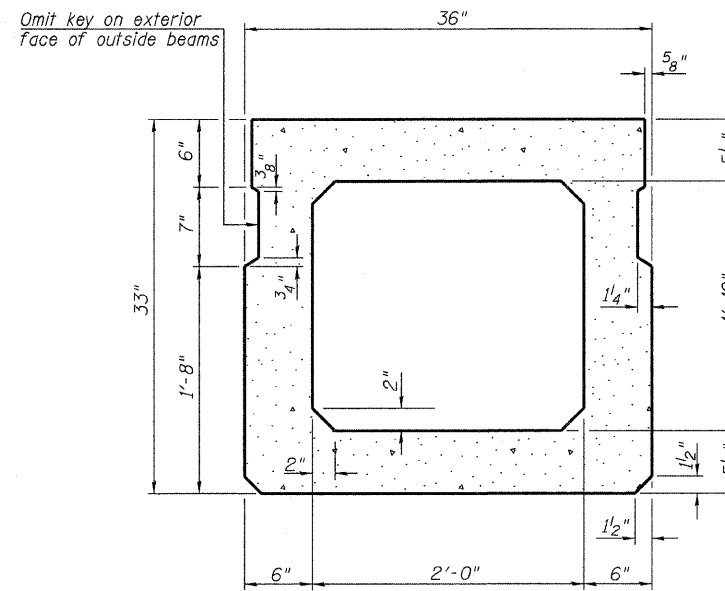
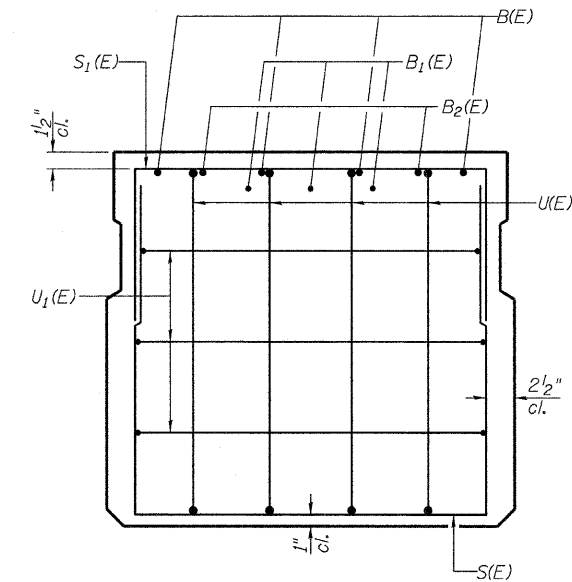


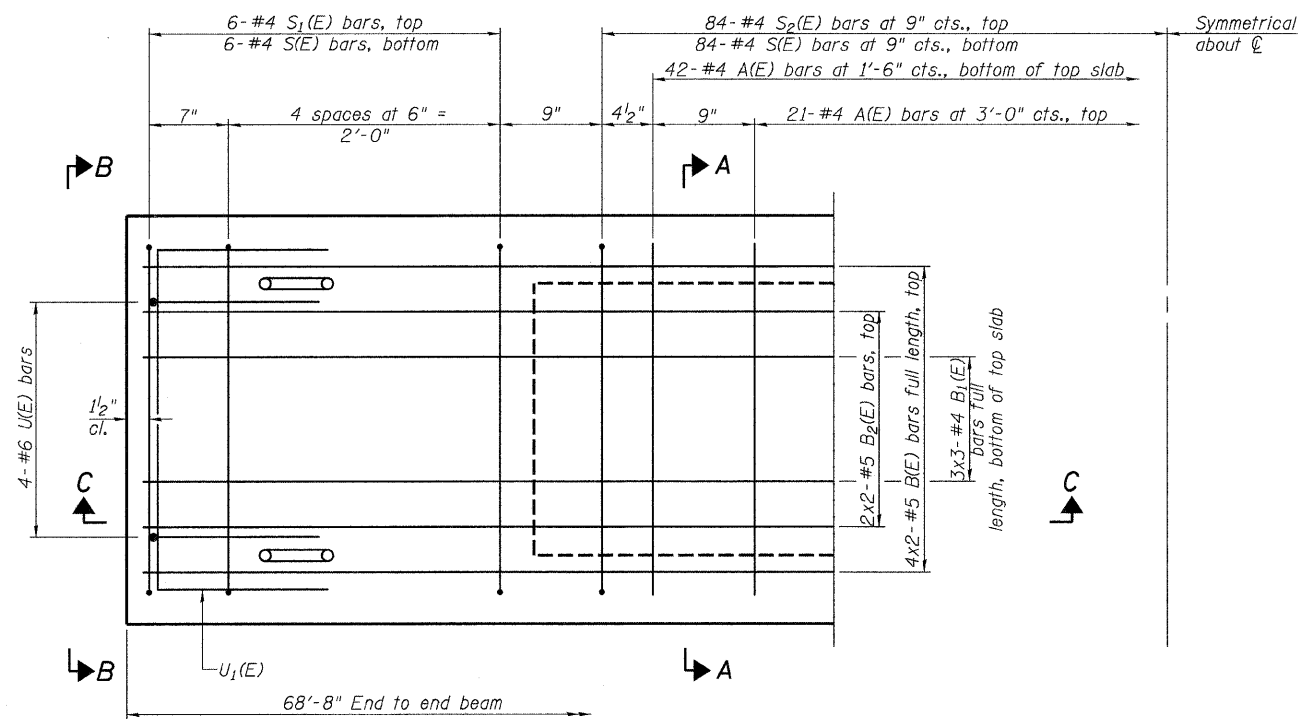
**SECTION C-C**



**SECTION A-A**  
(Showing dimensions)

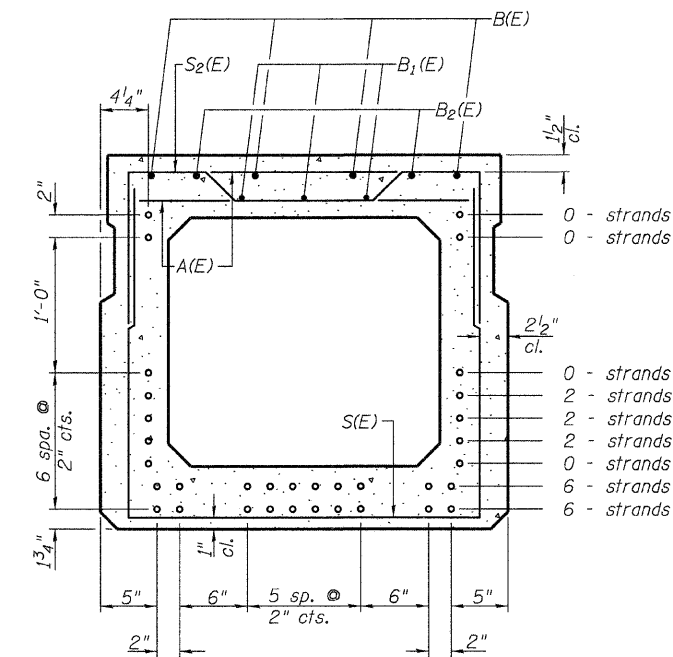


**VIEW B-B**



**PLAN VIEW**

Note: Spacing of S(E) and S<sub>2</sub>(E) bars may be adjusted up to 4" in the immediate area of the transverse tie diaphragms to miss the block outs for the transverse ties.  
Bars indicated thus 4x2-#5 etc. indicates 4 bars with 2 lengths per line.



**SECTION A-A**

(Showing reinforcement and permissible strand locations)

Note: Place the number of strands specified in each row symmetrically about the centerline of beam in the permissible strand locations shown.

**BAR LIST**  
**ONE BEAM ONLY**  
(For information only)

Bar	No.	Size	Length	Shape
A(E)	63	#4	2'-7"	—
B(E)	8	#5	35'-6"	—
B <sub>1</sub> (E)	9	#4	24'-6"	—
B <sub>2</sub> (E)	4	#5	35'-6"	—
S(E)	96	#4	7'-5"	U
S <sub>1</sub> (E)	12	#4	6'-3"	U
S <sub>2</sub> (E)	84	#4	6'-6"	U
U(E)	8	#6	5'-0"	C
U <sub>1</sub> (E)	6	#4	5'-0"	C

Note: See sheet 6 of 10 for additional details and Bill of Material.

**33" x 36" PPC DECK BEAM**

**PPC DECK BEAM DETAILS**  
**PROPOSED BRIDGE OVER**  
**WOLF CREEK**  
**TR 518**  
**SECTION 08-08122-00-BR**  
**FAYETTE COUNTY, ILLINOIS**