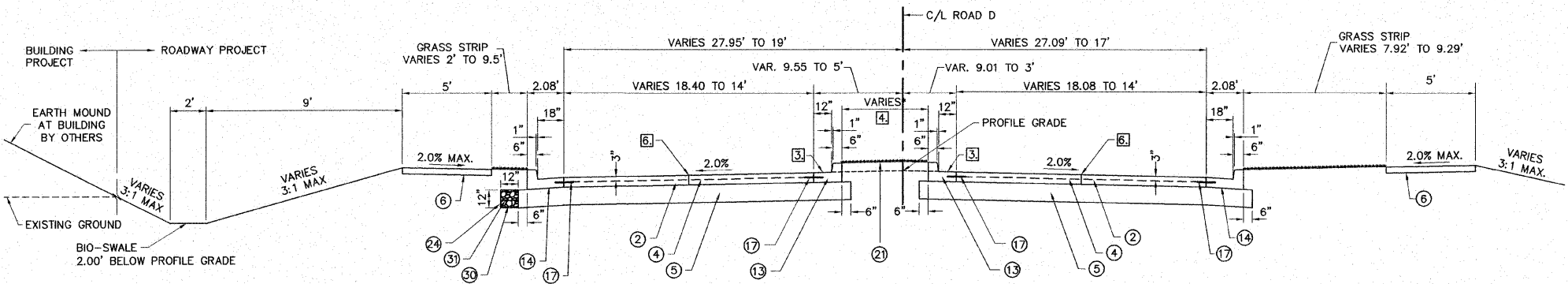


PROPOSED TYPICAL SECTION ROUNDABOUT

ROAD C - STA. 11+95 TO STA. 12+50
 ROAD A - STA. 0+00 TO STA. 0+55
 ROAD D - STA. 12+50 TO STA. 13+05
 SCALE: 1" = 4'

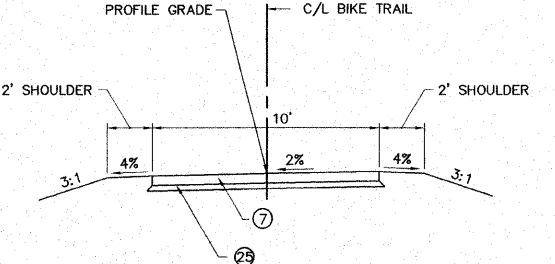
PAVING LEGEND

- ① PORTLAND CEMENT CONCRETE PAVEMENT 8" (SPECIAL)(SEE NOTE [6]).
- ② PORTLAND CEMENT CONCRETE PAVEMENT 7" (SPECIAL)(SEE NOTE [6]).
- ③ PORTLAND CEMENT CONCRETE PAVEMENT 7" (SPECIAL, TEXTURED)(SEE NOTE [6]).
- ④ PAVEMENT FABRIC, TYPE A
- ⑤ PROCESSING MODIFIED SOIL 12"
- ⑥ PORTLAND CEMENT CONCRETE SIDEWALK 4 INCH
- ⑦ PORTLAND CEMENT CONCRETE SIDEWALK 5 INCH
- ⑧ CONCRETE PAVER PAVEMENT (3-1/8")
- ⑨ CONCRETE PAVER SIDEWALK (2-3/8")
- ⑩ GEOBLOCK POLYETHYLENE POROUS PAVEMENT SYSTEM, (1.97")
- ⑪ GEOBLOCK 2 POLYETHYLENE POROUS PAVEMENT SYSTEM, (1.18")
- ⑫ CELLULAR CONFINEMENT SYSTEM (6")
- ⑬ COMBINATION CONCRETE CURB AND GUTTER, TYPE B-6.12
- ⑭ COMBINATION CONCRETE CURB AND GUTTER, TYPE B-6.18
- ⑮ COMBINATION CONCRETE CURB AND GUTTER, TYPE B-9.12
- ⑯ COMBINATION CONCRETE CURB AND GUTTER, TYPE M-2.12
- ⑰ DRILL AND GROUT #6 TIE BARS (SEE NOTE [1])
- ⑱ 6" WIDE FLUSH CONCRETE BORDER, 8-3/8"
- ⑲ 6" WIDE FLUSH CONCRETE BORDER, 18"
- ⑳ POROUS GRANULAR CAPPING MATERIAL
- ㉑ SEEDING, CLASS 4A
- ㉒ STONE RIPRAP, CLASS A5
- ㉓ BEDDING MATERIAL
- ㉔ FILTER FABRIC
- ㉕ SUB-BASE GRANULAR MATERIAL, TYPE A 4"
- ㉖ POROUS GRANULAR EMBANKMENT, BEDDING 2"
- ㉗ POROUS GRANULAR EMBANKMENT, BASE 4"
- ㉘ POROUS GRANULAR EMBANKMENT, SUBGRADE 12"
- ㉙ AGGREGATE BASE COURSE, SPECIAL (4")
- ㉚ PIPE UNDERDRAINS 4" (SPECIAL)
- ㉛ POROUS GRANULAR BACKFILL
- ㉜ CHAIN LINK FENCE, 4'
- ㉝ POROUS GRANULAR EMBANKMENT, SUBGRADE 12 INCH (SLAG)
- ㉞ POROUS GRANULAR EMBANKMENT, BASE 4 INCH (SLAG)
- ㉟ POROUS GRANULAR EMBANKMENT, BEDDING 2 INCH (SLAG)
- ㊱ POROUS GRANULAR BACKFILL (SLAG)
- ㊲ BROKEN CONCRETE DUMPED RIPRAP, RR5

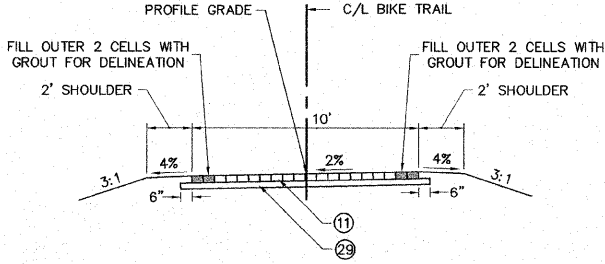


PROPOSED TYPICAL SECTION ROAD D

STA. 13+05 TO STA. 13+56
 SCALE: 1" = 4'



TYPICAL SECTION BIKE TRAIL CONNECTION
 STA. 0+00 TO STA. 0+11.03
 SCALE: 1" = 5'



TYPICAL SECTION BIKE TRAIL CONNECTION
 STA. 0+11.03 TO STA. 0+58.21
 SCALE: 1" = 5'

TYPICAL SECTION NOTES

- [1] THE BARS THAT ARE PLACED IN CONCRETE SHALL BE 30" LONG AT 30" CENTERS. THE BARS THAT ARE DRILLED AND GROUTED SHALL BE 24" LONG AT 24" CENTERS.
- [2] PROJECT OVERLAPS IDOT ROW ROAD D STA. 13+84.22 TO STA. 14+95.28 AND STA. 16+34.70 TO STA. 17+40.56
- [3] SLOPE GUTTER PAN WITH PAVEMENT
- [4] SEE ROUND ABOUT DETAILS SHEET NO. 21
- [5] CENTER 2' WIDE DITCH BETWEEN SIDEWALK AND BIKE TRAIL SHOULDER.
- [6] SEE CONCRETE PAVEMENT NOTES ON SHEET NO. 2.

NO.	REVISIONS

SMS Sheppard, Morgan & Schwab, Inc.
 CONSULTING ENGINEERS AND LAND SURVEYORS
 215 Market Street, P.O. Box 8, Alton, IL 62002 618462-9765 Email: msm@smsschwab.com
 10 Central Industrial Drive, Granite City, IL 62040 618877-8700 Email: msm@smsschwab.com
 DESIGN FIRM # 184-000992

LEWIS & CLARK COMMUNITY COLLEGE
 SECTION 05-00001-00-PK
 ACCESS ROADS FOR THE
 NATIONAL GREAT RIVERS RESEARCH AND EDUCATION CENTER
 TYPICAL SECTIONS

DWG. NO.	
PHASE I TYP SECTS.DWG	
REF. BK.	
PG.	
JOB NO.	405829
DSN. BY:	DEG
DWN. BY:	CAD
CHK. BY:	DEG
DATE:	SEPT. 8, 2008
SCALE:	AS SHOWN
SHEET	5 OF 36