

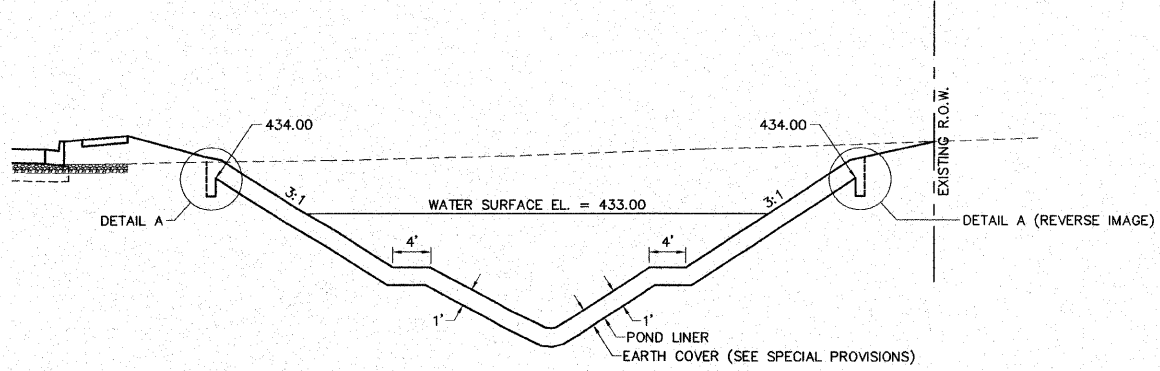
REVISIONS

Sheppard Morgan & Schwaab, Inc.
 CONSULTING ENGINEERS & LAND SURVEYORS
 215 Market Street
 Alton, Illinois 62902
 618/742-8755

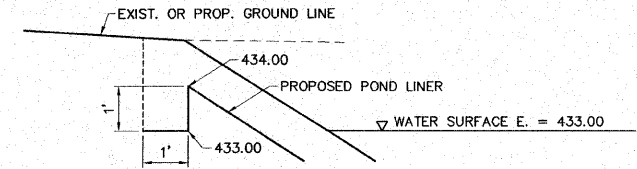


LEWIS & CLARK COMMUNITY COLLEGE
 SECTION 05-00001-00-PK
 ACCESS ROADS FOR THE
 NATIONAL GREAT RIVERS RESEARCH AND EDUCATION CENTER
 DETAILS OF CONSTRUCTION

DWG. NO. LP\A\IC\405829
 PHASE I DETAILS.DWG
 REF. BK. - PG. -
 JOB NO. 457111.1
 DSN. BY: DEG
 DWN. BY: CAD
 CHK. BY: DEG
 DATE: SEPT. 8, 2008
 SCALE: AS SHOWN
 SHEET 16 OF 36



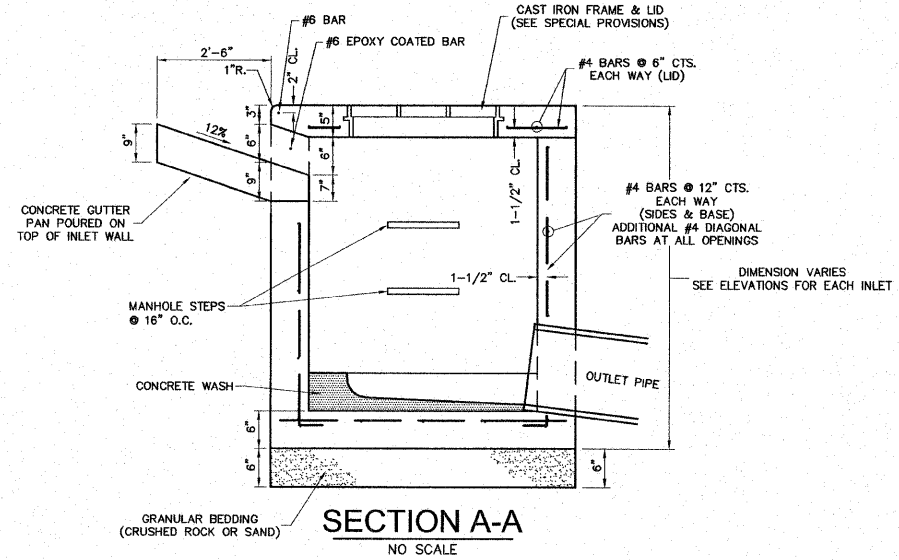
DETAIL: FURNISH AND INSTALL POND LINER



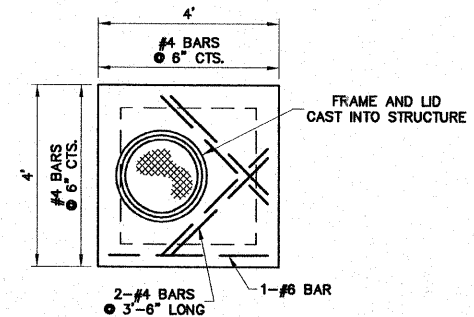
DETAIL A

NOTES

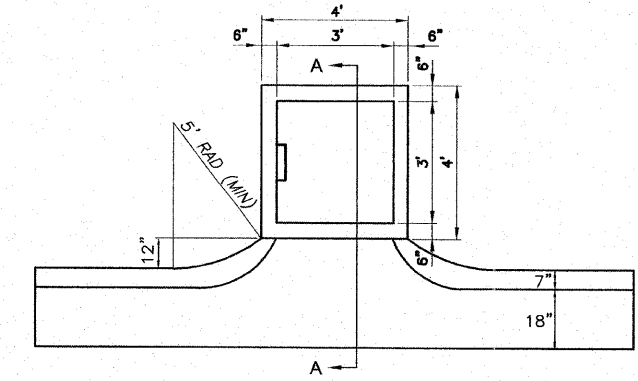
1. THE POND LINER SHALL BE ANCHORED IN PLACE BY PLACING THE ENDS IN A TRENCH WHICH HAS BEEN EXCAVATED TO ELEV. 433.00.
2. THE TRENCH SHALL BE 1' WIDE.



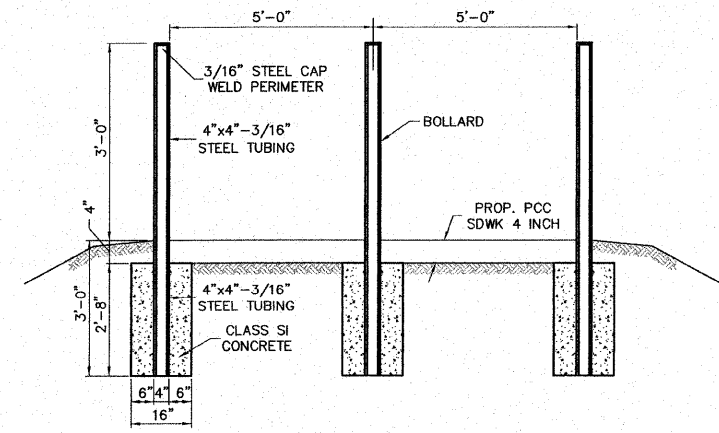
SECTION A-A
NO SCALE



CONCRETE LID
NO SCALE



INLET BOX, SPECIAL PLAN
NO SCALE



DETAIL: BOLLARDS
NO SCALE