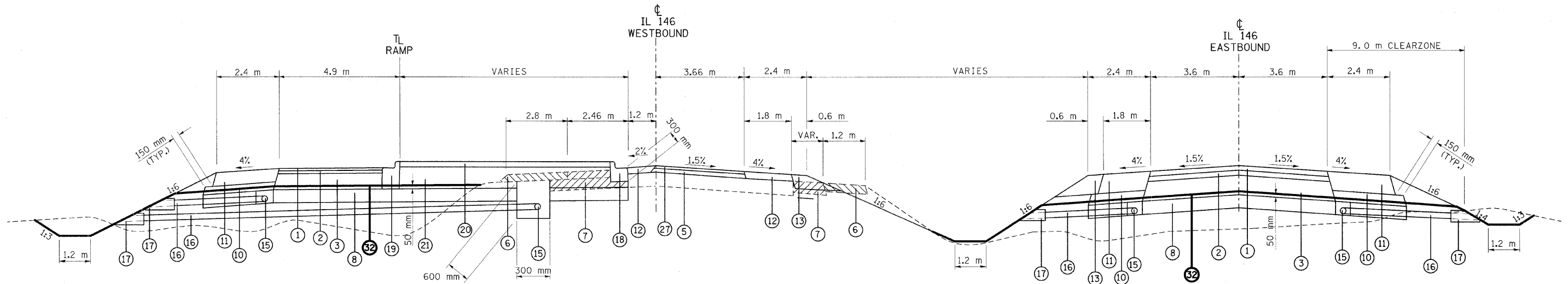


F.A.P. RTE.	SECTION	COUNTY	TOTAL SHEETS	SHEET NO.
312	101-2(A,B,R)	ALEXANDER	152	13
STA.		TO STA.		
FED. ROAD DIST. NO.		ILLINOIS	FED. AID PROJECT	

TYPICALS

BOLD ITEMS ONLY CONSTRUCTED IN THIS CONTRACT



CONTINUE GRADING FOR RAMP

TO BE USED:

EB STA. 16+006.335 TO STA. 16+050 (GRADE LINE STOPS AT EB STA 16+050)
WB STA. 6+006.335 TO STA. 6+050

TO BE CONSTRUCTED DURING FUTURE CONTRACT

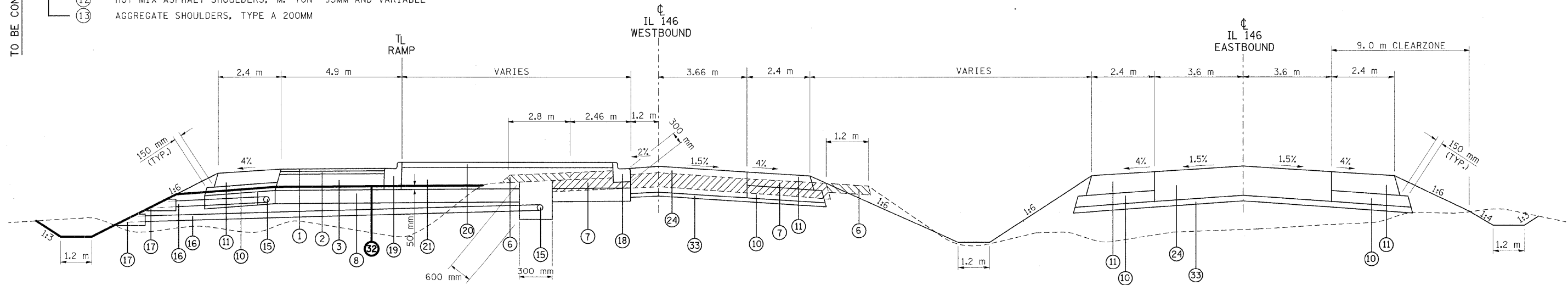
- ① POLYMERIZED HOT-MIX ASPHALT SURFACE COURSE, MIX. D, N90 50MM
- ② POLYMERIZED HOT-MIX ASPHALT BINDER COURSE, IL-19.0, N90 38MM AND VARIABLE
- ③ HOT-MIX ASPHALT BINDER COURSE, IL-19.0, N90 292MM
- ④ ROCKFILL**
- ⑤ POLYMERIZED HOT-MIX ASPHALT BINDER COURSE, IL-19.0, N90 57MM AND VARIABLE
- ⑥ PAVED SHOULDER REMOVAL
- ⑦ PAVEMENT REMOVAL
- ⑧ PROCESSING LIME MODIFIED SOILS 300MM
- ⑨ SUB-BASE GRANULAR MATERIAL, TYPE A 300MM**
- ⑩ SUB-BASE GRANULAR MATERIAL, TYPE C
- ⑪ HOT-MIX ASPHALT SHOULDERS, 200MM
- ⑫ HOT-MIX ASPHALT SHOULDERS, M. TON 95MM AND VARIABLE
- ⑬ AGGREGATE SHOULDERS, TYPE A 200MM

TO BE CONSTRUCTED DURING FUTURE CONTRACT

- ⑭ AGGREGATE WEDGE SHOULDER, TYPE B
- ⑮ PIPE UNDERDRAIN 100MM
- ⑯ PIPE UNDERDRAIN 100MM (SPECIAL)
- ⑰ CONCRETE HEADWALL FOR PIPE DRAINS
- ⑱ COMBINATION CONCRETE CURB AND GUTTER TYPE M-15.60
- ⑲ COMBINATION CONCRETE CURB AND GUTTER TYPE M-15.15
- ⑳ CONCRETE MEDIAN SURFACE, 100MM
- ㉑ COURSE AGGREGATE, CA7 OR CA11
- ㉒ HOT-MIX ASPHALT BASE COURSE, 285MM
- ㉓ SUB-BASE GRANULAR MATERIAL, TYPE A 100MM

TO BE CONSTRUCTED DURING FUTURE CONTRACT

- ⑳ PORTLAND CEMENT CONCRETE PAVEMENT 250MM (JOINTED)
- ㉑ HOT-MIX ASPHALT SURFACE REMOVAL 15MM AND VARIABLE
- ㉒ POLYMERIZED LEVELING BINDER (MACHINE METHOD), N90 VARIABLE
- ㉓ POLYMERIZED HOT-MIX ASPHALT SURFACE COURSE, MIX D, N90 38MM
- ㉔ HOT-MIX ASPHALT BINDER COURSE, IL-19.0, N90 285MM
- ㉕ HOT-MIX ASPHALT SHOULDERS, 250MM
- ㉖ AGGREGATE SHOULDERS, TYPE A 250MM
- ㉗ STRIP REFLECTIVE CRACK CONTROL TREATMENT
- ㉘ GRADE LINE**
- ㉙ STABILIZED SUB-BASE-HOT-MIX ASPHALT, 100MM
- ㉚ UNSTABLE SOIL**



STOP GRADING FOR RAMP AT STA. 6+100

TO BE USED:

EB STA. 16+050 TO STA. 16+100 (GRADE LINE STOPS AT EB STA 16+050)
WB STA. 6+050 TO STA. 6+100

REVISIONS	
NAME	DATE

ILLINOIS DEPARTMENT OF TRANSPORTATION

TYPICALS

SCALE: VERT. NONE
HORIZ. DATE

DRAWN BY CNH
CHECKED BY

PLOT DATE = 10/30/2008
FILE NAME = c:\p\work\101001\HEADDN.dwg
PLOT SCALE = 50.0000 / IN.
USER NAME = hreedn