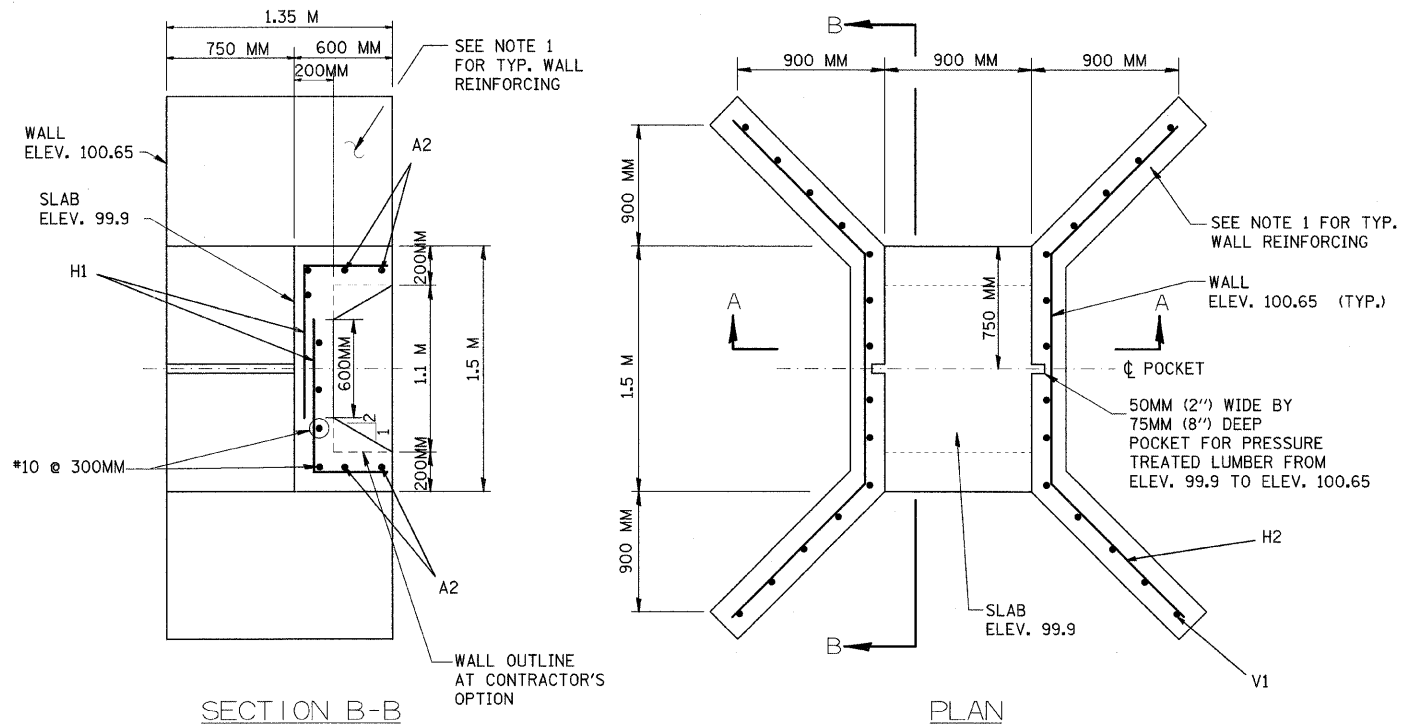
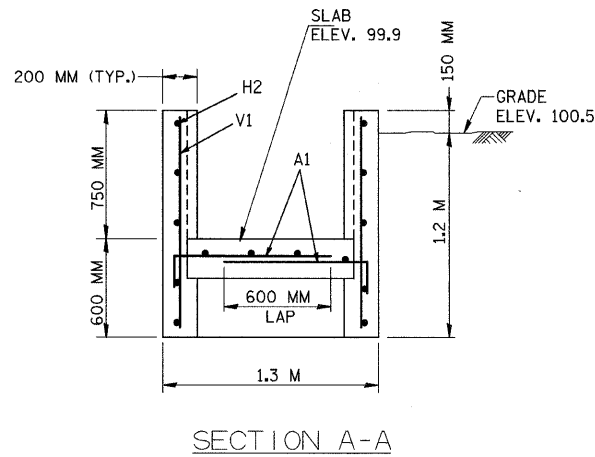


F.A.P. RTE.	SECTION	COUNTY	TOTAL SHEETS	SHEET NO.
312	101-2(A,B,R)	ALEXANDER	152	76
STA.		TO STA.		
FED. ROAD DIST. NO.		ILLINOIS FED. AID PROJECT		

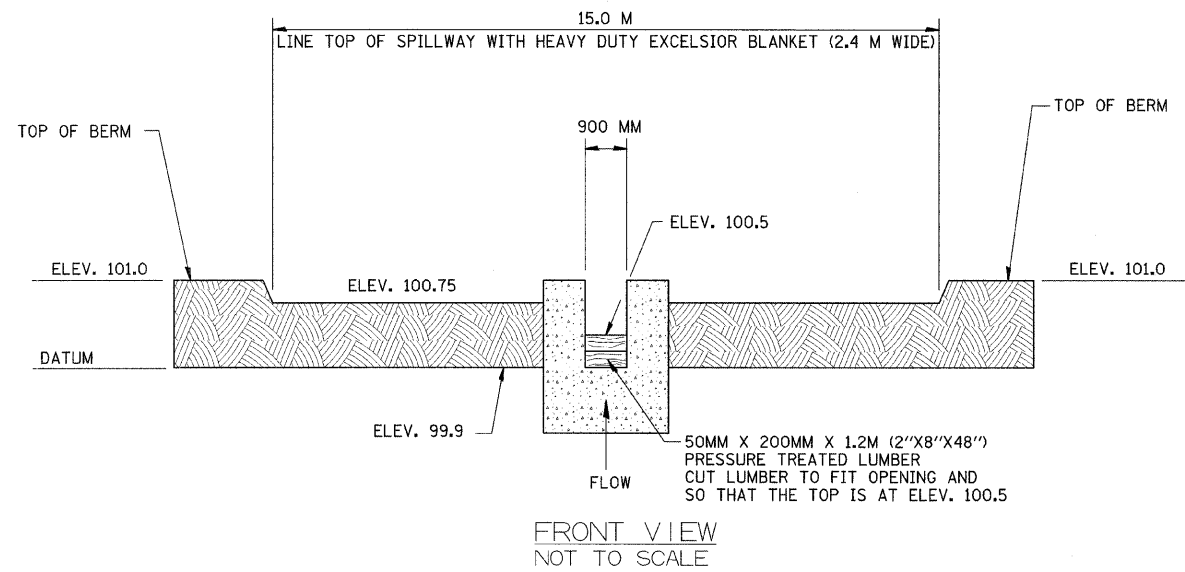
DRAINAGE CONTROL STRUCTURE



- NOTES:
1. TYPICAL WALL REINFORCING VERTICAL BARS #10 @ 300MM HORIZONTAL BARS #15 @ 300MM.
  2. PLACE WALL AND SLAB REINFORCING IN CENTER OF WALL.
  3. ALL EXPOSED EDGES OF WALLS SHALL BE CHAMFERED 19MM (3/4").

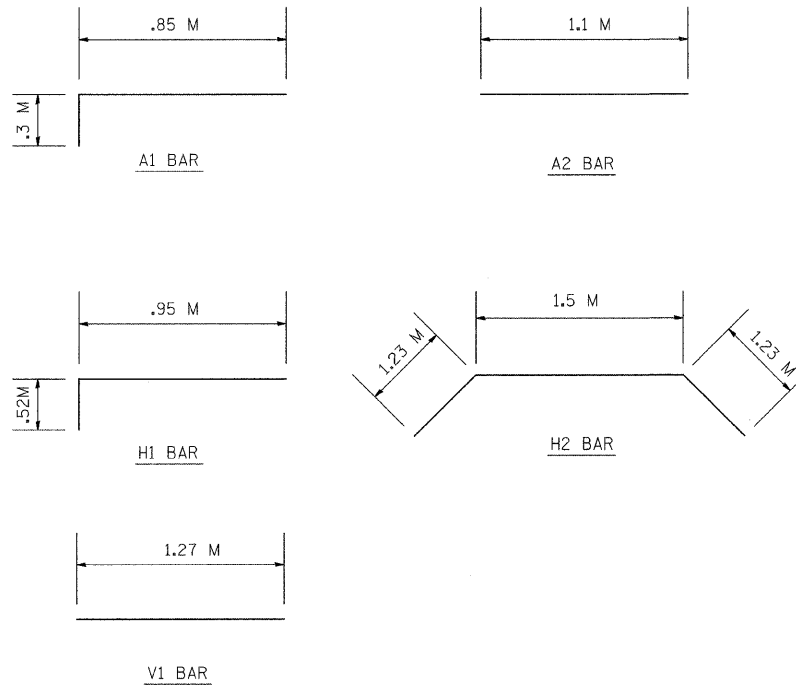
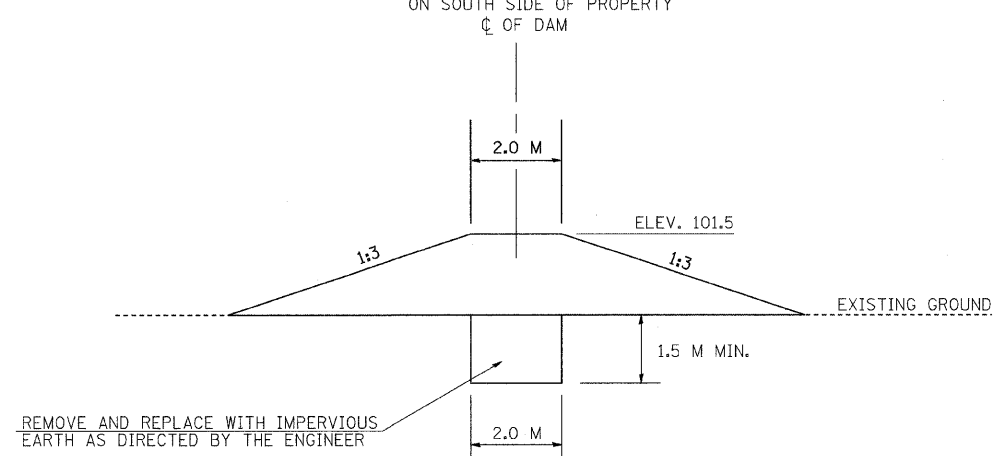


SECTION A-A



FRONT VIEW NOT TO SCALE

DETAIL OF EARTH DAM ON SOUTH SIDE OF PROPERTY



BILL OF MATERIAL

BAR	NO.	SIZE	LENGTH (M)	SHAPE
A1	12	#10	1.15	┌───┐
A2	4	#10	1.1	┌───┐
H1	8	#10	1.47	┌───┐
H2	10	#15	3.96	┌───┐
V1	28	#10	1.27	┌───┐
CLASS SI CONCRETE, SPECIAL REINFORCEMENT BARS			CUM	5.1
50MMX200MMX1.2M (2''X8''X48'')			KG	91
PRESSURE TREATED LUMBER			EACH	3

REVISIONS	
NAME	DATE

ILLINOIS DEPARTMENT OF TRANSPORTATION

WETLAND DETAILS

SCALE: VERT. HORIZ. DATE

DRAWN BY JCK CHECKED BY

PLOT DATE = 11/24/2008  
 FILE NAME = c:\pwworkspace\pwworkspace\11/24/2008\11/24/2008.dwg  
 PLOT SCALE = 28.0000 m / in.  
 USER NAME = kranzjc