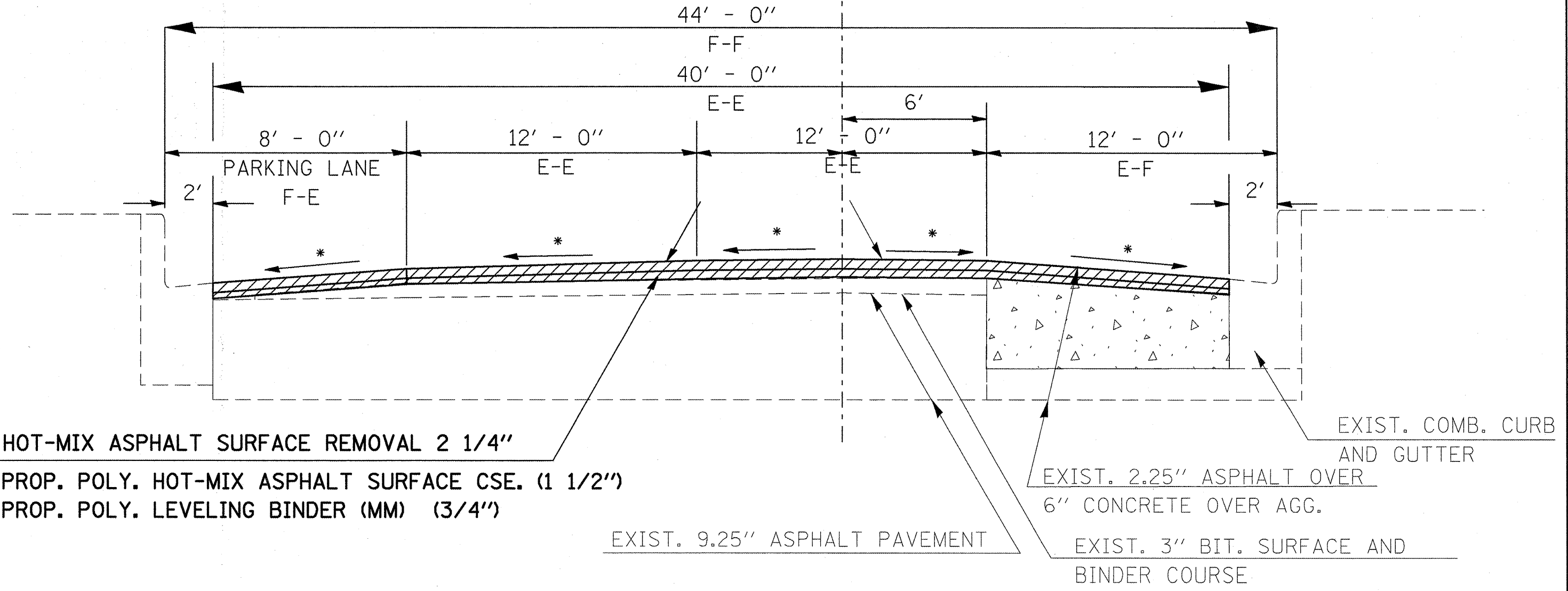


CONTRACT NO. 9895			
F.A.B. RTE.	SECTION	COUNTY	TOTAL SHEETS
331		JACKSON	23
STA.	TO STA.		
FED. ROAD DIST. NO.	ILLINOIS	FED. AID PROJECT	

• (12-3)RS-2,(4-5)RS-3

☉ FAP 331
(IL 13-WALNUT ST.)



HOT-MIX ASPHALT SURFACE REMOVAL 2 1/4"
 PROP. POLY. HOT-MIX ASPHALT SURFACE CSE. (1 1/2")
 PROP. POLY. LEVELING BINDER (MM) (3/4")

EXIST. 9.25" ASPHALT PAVEMENT

EXIST. 2.25" ASPHALT OVER
 6" CONCRETE OVER AGG.

EXIST. 3" BIT. SURFACE AND
 BINDER COURSE

EXIST. COMB. CURB
 AND GUTTER

* MATCH EX. SLOPE

TO BE USED:
 STA. 100+37 (BUTT JT. AT OAKLAND AVE.) TO STA. 127+69.67 (UNIVERSITY AVE.)

PLOT DATE = 12/1/2004
 PLOT SCALE = 1/8" = 1'-0"
 USER NAME = mason