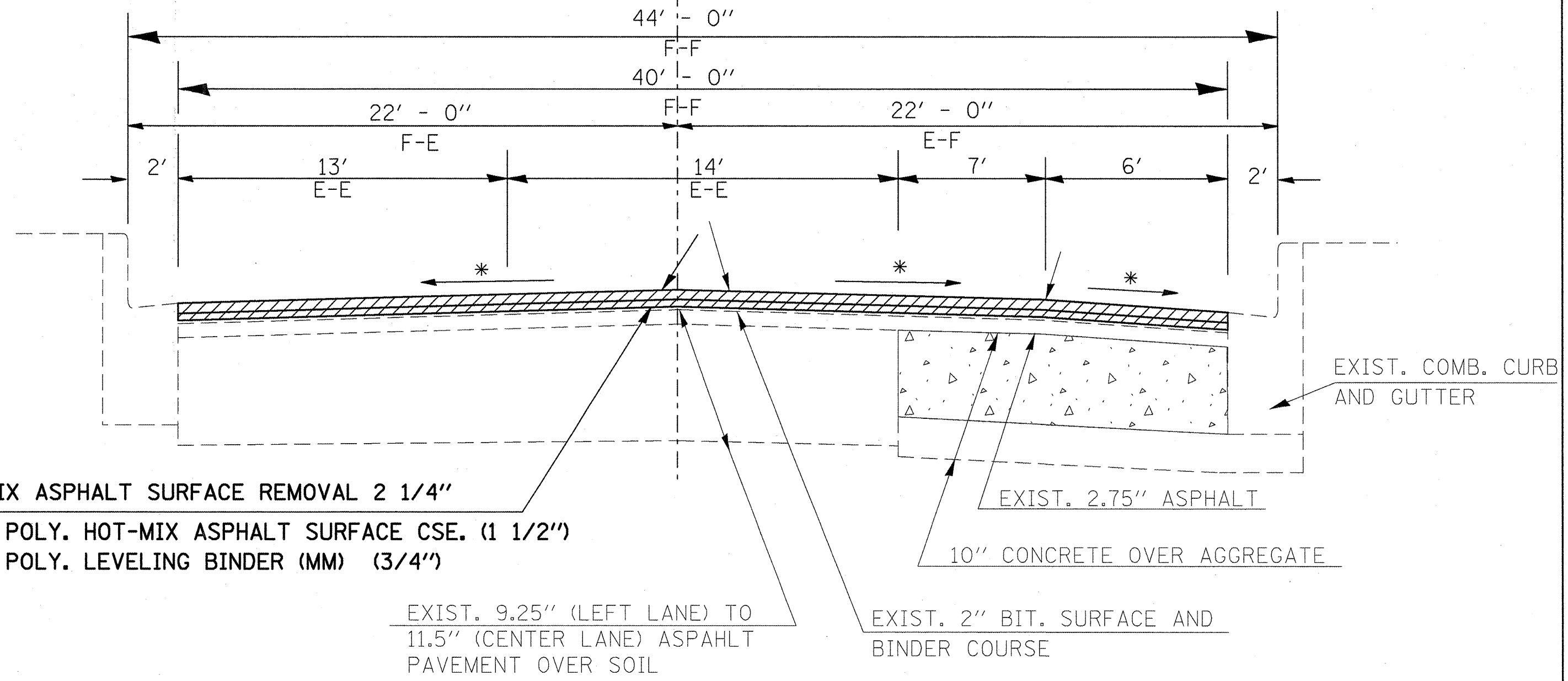


CONTRACT NO. 98985				
F.A.P. RTE.	SECTION	COUNTY	TOTAL SHEETS	SHEET NO.
331		JACKSON	23	8
STA.		TO STA.		
FED. ROAD DIST. NO.		ILLINOIS FED. AID PROJECT		

• (12-3)RS-2,(4-5)RS-3

☉ FAP 331
(IL 13-WALNUT ST.)



HOT-MIX ASPHALT SURFACE REMOVAL 2 1/4"
 PROP. POLY. HOT-MIX ASPHALT SURFACE CSE. (1 1/2")
 PROP. POLY. LEVELING BINDER (MM) (3/4")

EXIST. 9.25" (LEFT LANE) TO
 11.5" (CENTER LANE) ASPHALT
 PAVEMENT OVER SOIL

EXIST. 2" BIT. SURFACE AND
 BINDER COURSE

EXIST. 2.75" ASPHALT

10" CONCRETE OVER AGGREGATE

EXIST. COMB. CURB
 AND GUTTER

* MATCH EX. SLOPE
 TO BE USED:
 STA. 134+91 (RR XING BUTT JT.) TO STA. 156+48 (WALL ST.)

DATE: 12/4/2008
 FILE NAME: c:\pwworkspace\user\dms\13491.dwg
 PLOT SCALE: 1/8"=1'-0"
 USER NAME: mcorcoran