

SUMMARY OF QUANTITIES

CODE NO.	ITEM	UNIT	QUANTITY
2010010	TREE REMOVAL (6 TO 15 UNITS DIAMETER)	UNIT	102.00
20100210	TREE REMOVAL (OVER 15 UNITS DIAMETER)	UNIT	72.00
20200100	EARTH EXCAVATION	CU YD	4150.00
25001000	SEEDING, CLASS 2 (SPECIAL)	ACRE	6.00
25001845	SEEDING, CLASS 7 (SPECIAL)	ACRE	6.00
28000300	TEMPORARY DITCH CHECKS	EACH	84.00
28000400	PERIMETER EROSION BARRIER	FOOT	180.00
28000500	INLET AND PIPE PROTECTION	EACH	2.00
28102600	STONE RIPRAP DITCH	TON	430.00
31000800	PROCESSING LIME STABILIZED SOIL MIXTURE 16"	SQ YD	21189.00
31001500	LIME	TON	1259.00
40200800	AGGREGATE SURFACE COURSE, TYPE B	TON	208.00
40600100	BITUMINOUS MATERIALS (PRIME COAT)	GALLON	5072.00
40600635	LEVELING BINDER (MACHINE METHOD), N70	TON	2262.00
40603310	HOT-MIX ASPHALT SURFACE COURSE, MIX "C" N50	TON	1995.00
44000600	SIDEWALK REMOVAL	SQ FT	15.00
48101200	AGGREGATE SHOULDERS, TYPE B	TON	727.00
50100100	REMOVAL OF EXISTING STRUCTURES	EACH	1.00
50800105	REINFORCEMENT BARS	POUND	485.00
54002020	EXPANSION BOLTS 3/4 INCH	EACH	8.00
54003000	CONCRETE BOX CULVERTS	CU YD	5.10
542A0223	PIPE CULVERTS, CLASS A, TYPE 1 18"	FOOT	126.00
542A0229	PIPE CULVERTS, CLASS A, TYPE 1 24"	FOOT	44.00
542A0235	PIPE CULVERTS, CLASS A, TYPE 1 30"	FOOT	72.00
542A0241	PIPE CULVERTS, CLASS A, TYPE 1 36"	FOOT	32.00
542D0217	PIPE CULVERTS, CLASS D, TYPE 1 12"	FOOT	510.00
542D0220	PIPE CULVERTS, CLASS D, TYPE 1 15"	FOOT	40.00
542D0223	PIPE CULVERTS, CLASS D, TYPE 1 18"	FOOT	80.00
54213660	PRECAST REINFORCED CONCRETE FLARED END SECTION 15"	EACH	1.00
54213663	PRECAST REINFORCED CONCRETE FLARED END SECTIONS 18"	EACH	8.00
54213669	PRECAST REINFORCED CONCRETE FLARED END SECTIONS 24"	EACH	2.00
54213675	PRECAST REINFORCED CONCRETE FLARED END SECTIONS 30"	EACH	4.00
54213681	PRECAST REINFORCED CONCRETE FLARED END SECTIONS 36"	EACH	2.00
550A0070	STORM SEWERS, CLASS A, TYPE 1 15"	FOOT	39.00
550B0070	STORM SEWERS, CLASS B, TYPE 1 15"	FOOT	85.00
59300100	CONTROLLED LOW-STRENGTH MATERIAL	CU YD	121.20
60236200	INLETS, TYPE A, TYPE 8 GRATE	EACH	2.00
66600105	FURNISHING AND ERECTING RIGHT-OF-WAY MARKERS	EACH	17.00
67100100	MOBILIZATION	L SUM	1.00
70100460	TRAFFIC CONTROL AND PROTECTION, STANDARD 701306	L SUM	1.00
72000100	SIGN PANEL-TYPE 1	SQ FT	30.50
72900100	METAL POST-TYPE A	FOOT	51.00
* 78001110	PAINT PAVEMENT MARKING-LINE 4"	FOOT	28981.00
* 78001180	PAINT PAVEMENT MARKING-LINE 24"	FOOT	20.00

* SPECIALTY ITEMS

SCHEDULE FOR SIGNS AND POSTS

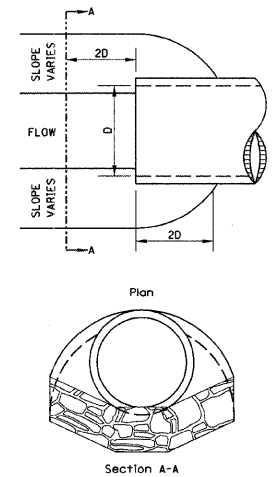
STA.	LOC.	MUTCD CODE	STYLE	SIZE	SO FT	METAL POST-TYPE A LENGTH
231+60	SR LT	W3-1A	STOP AHEAD	36" X 36"	9.00	13.0
231+60	26' LT	R1-1	STOP	30" X 30"	6.25	12.5
276+90	18.25' RT	W3-1A	STOP AHEAD	36" X 36"	9.00	12.5
281+40	26' RT	R1-1	STOP	30" X 30"	6.25	13.0
TOTAL					30.50	51.00

SCHEDULE OF AGGREGATE SHOULDER STONE IN TANGENT

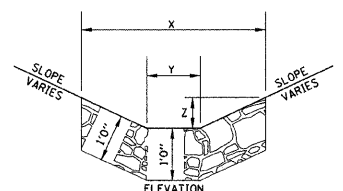
STATION	TO	STATION	LOCATION	ALLOWED TONS EST. QUANTITY
202+00		231+80	LT.	113.3
231+80		281+74	LT.	249.8
202+00		231+80	RT.	113.3
231+80		281+74	RT.	249.8
TOTAL				726.2

THE ABOVE QUANTITY IS FOR THE ENTIRE SECTION AND IS INCLUDED IN THE QUANTITY FOR AGGREGATE SHOULDERS, TYPE B IN THE SUMMARY OF QUANTITIES.

STONE RIPRAP DITCH DESIGN



NOTE: FOR PLACEMENT, QUALITY GRADATION AND OTHER MISCELLANEOUS REQUIREMENTS FOR STONE RIPRAP DITCH-SEE SPECIAL PROVISIONS.

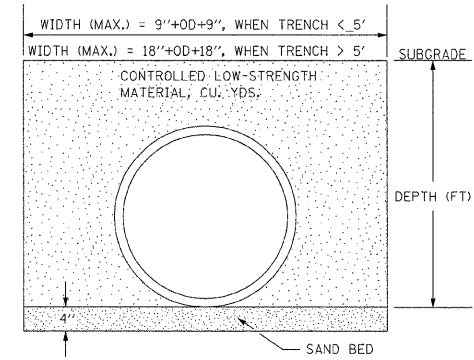


BOTTOM OF DITCH	SLOPE			
	1 1/2:1	2:1	3:1	
2 FT	X= 5 FT	6 FT	8 FT	
	Y= 2 FT	2 FT	2 FT	
	Z= 1 FT	1 FT	1 FT	
	0.40	0.48	0.62	TON/LIN. FT

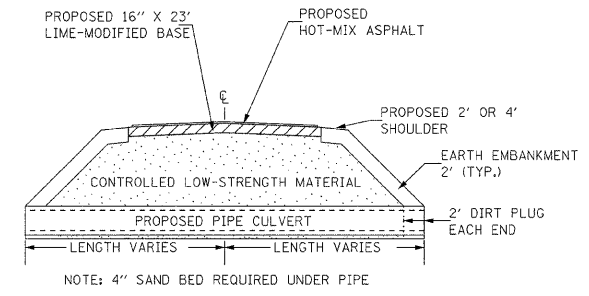
	1 1/2:1	2:1	3:1	
3 FT	X= 6 FT	7 FT	9 FT	
	Y= 3 FT	3 FT	3 FT	
	Z= 1 FT	1 FT	1 FT	
	0.48	0.56	0.70	TON/LIN. FT

	1 1/2:1	2:1	3:1	
4 FT	X= 7 FT	8 FT	10 FT	
	Y= 4 FT	4 FT	4 FT	
	Z= 1 FT	1 FT	1 FT	
	0.56	0.64	0.78	TON/LIN. FT

DETAIL OF ACROSS ROAD REINFORCED CONCRETE CULVERT PIPES



PROPOSED TYPICAL CROSS SECTION AT PIPE CULVERTS



EARTHWORK SCHEDULE

LOCATION	EARTH EXCAVATION	CHANNEL EXCAVATION	ESTIMATED UNSUITABLE MATERIAL	SUITABLE MATERIAL ADJUSTED FOR SHRINKAGE	EMBANKMENT	EARTHWORK BALANCE WASTE (+) OR SHORTAGE (-)
	CUBIC YARD	CUBIC YARD	CUBIC YARD	CUBIC YARD	CUBIC YARD	CUBIC YARD
STA 202+00 TO 281+74	4149.8	0.0	0.0	3112.4	2873.2	+239.2
SR'S, FE'S & PE'S	0.0	0.0	0.0	0.0	22.9	-22.9
TOTAL	4149.8	0.0	0.0	3112.4	2896.1	+216.3

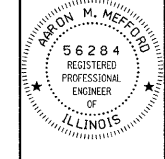
F.A.S.	SECTION	COUNTY	TOTAL SHEETS	SHEET NO.
880	06-0097-00-FP	HAMILTON	25	2
FED. ROAD DIST. NO. 9		ILLINOIS	BELLE PRAIRIE ROAD	
PROJECT # SR-8801061		CONTRACT # 99339		
LEC JOB # H081003HM				

323 W. 3RD ST.
P.O. BOX 160
MT. CARMEL, IL
62863
PHONE: (618)-262-8651
FAX: (618)-263-3327

405 W. STATE ST.
SUITE 1
PRINCETON, IN
47670
PHONE: (812)-386-7611
FAX: (812)-385-2812



PROFESSIONAL DESIGN FIRM
LAND SURVEY & PROFESSIONAL ENGINEERING CORPORATION
184-000887
(62-032435)(35-002769)



AARON M. MEFFORD
NAME
SIGNATURE
12-17-08
DATE
11-30-09 EXPIRES

F.A.S. 880 (CH 8)
BELLE PRAIRIE ROAD
SECTION 06-0097-00-FP
HAMILTON COUNTY, ILLINOIS

SHEET TITLE:
SUMMARY OF QUANTITIES & MISC DETAILS

SCALE: VARIES
BY: AMM
DATE: 12/08
REV:

2 OF 25 SHEETS

SHEET NO. 2