

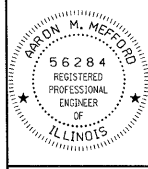
F.A.S.	SECTION	COUNTY	TOTAL SHEETS	SHEET NO.
880	06-00097-00-FP	HAMILTON	25	18
FED. ROAD DIST. NO. 9 ILLINOIS		BELLE PRAIRIE ROAD		
PROJECT# SR-880(106)		CONTRACT# 99339		
LEC JOB # H081003HM				

323 W. 3RD ST.  
P.O. BOX 160  
MT. CARMEL, IL  
62863  
PHONE:  
(618)-262-8661  
FAX:  
(618)-263-3327

405 W. STATE ST.  
SUITE 1  
PRINCETON, IN  
47670  
PHONE:  
(812)-386-7611  
FAX:  
(812)-385-2812



PROFESSIONAL  
DESIGN FIRM  
LAND SURVEY &  
PROFESSIONAL  
ENGINEERING  
CORPORATION  
184-000887  
(62-032435)(35-002769)



AARON M. MEFFORD  
NAME  
*Aaron Mefford*  
SIGNATURE  
12-17-08  
DATE  
11-30-09  
EXPIRES

F.A.S. 880 (CH 8)  
BELLE PRAIRIE ROAD  
SECTION 06-00097-00-FP  
HAMILTON COUNTY, ILLINOIS

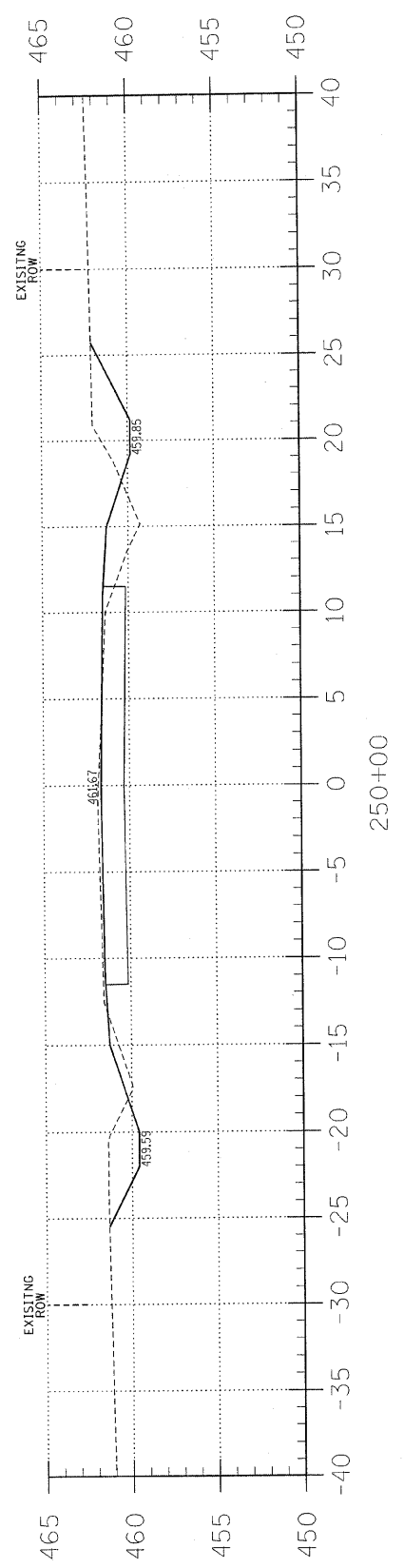
SHEET TITLE:

CROSS-SECTIONS

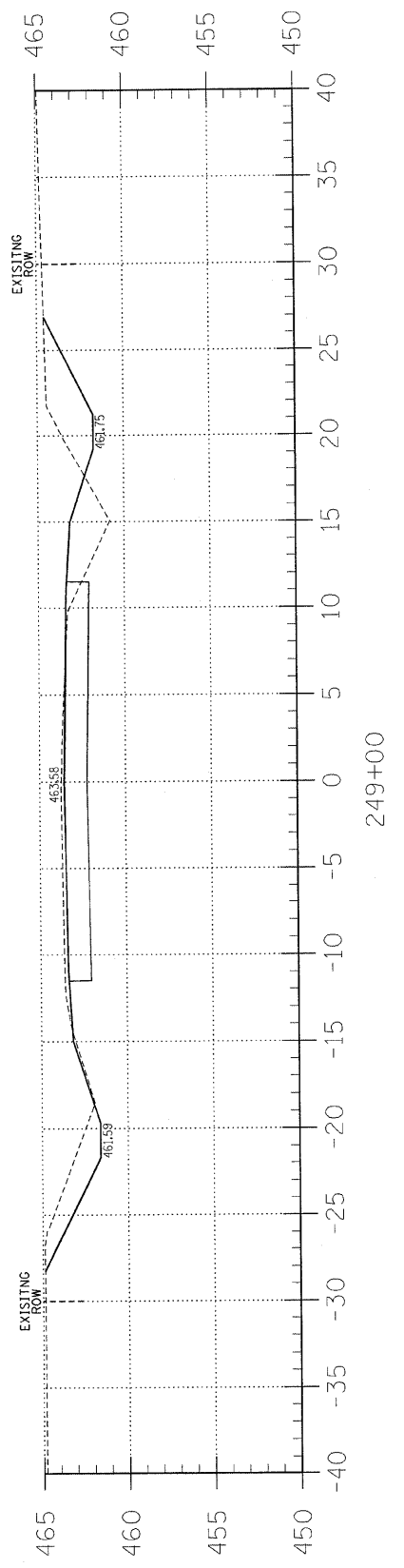
SCALE:	1" = 5'
BY:	AMM
DATE:	11/9/08
REV:	

18 OF 25  
SHEETS

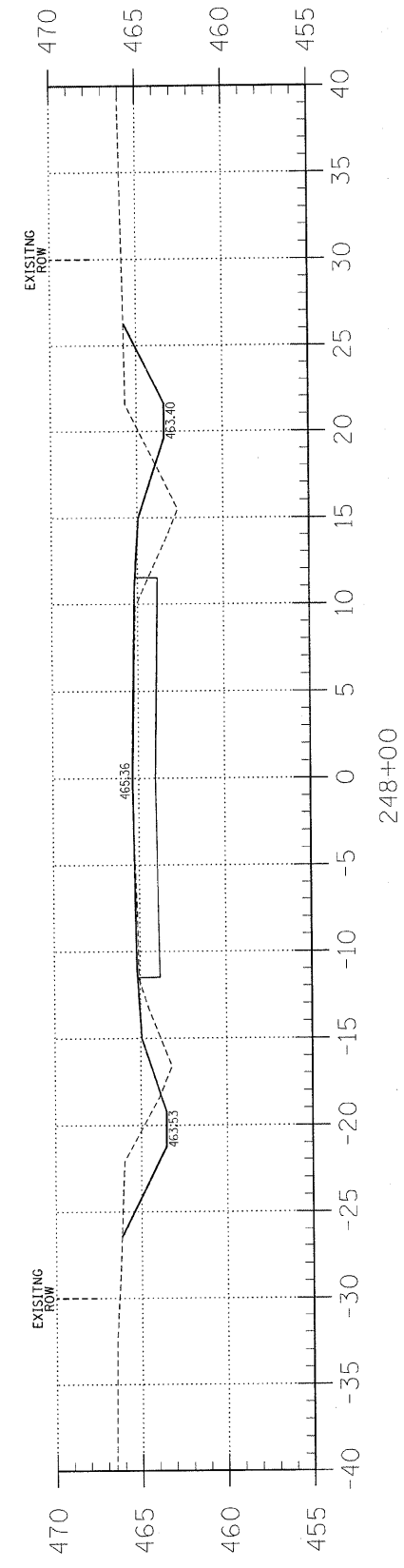
SHEET NO.  
18



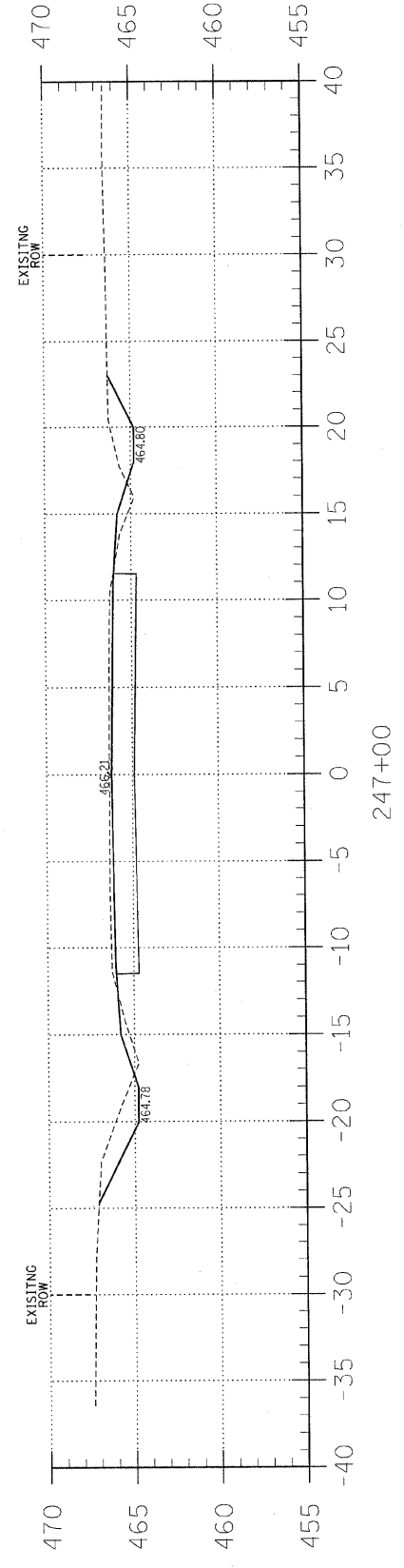
Area Cut : 20.1  
Area Fill : 10.0



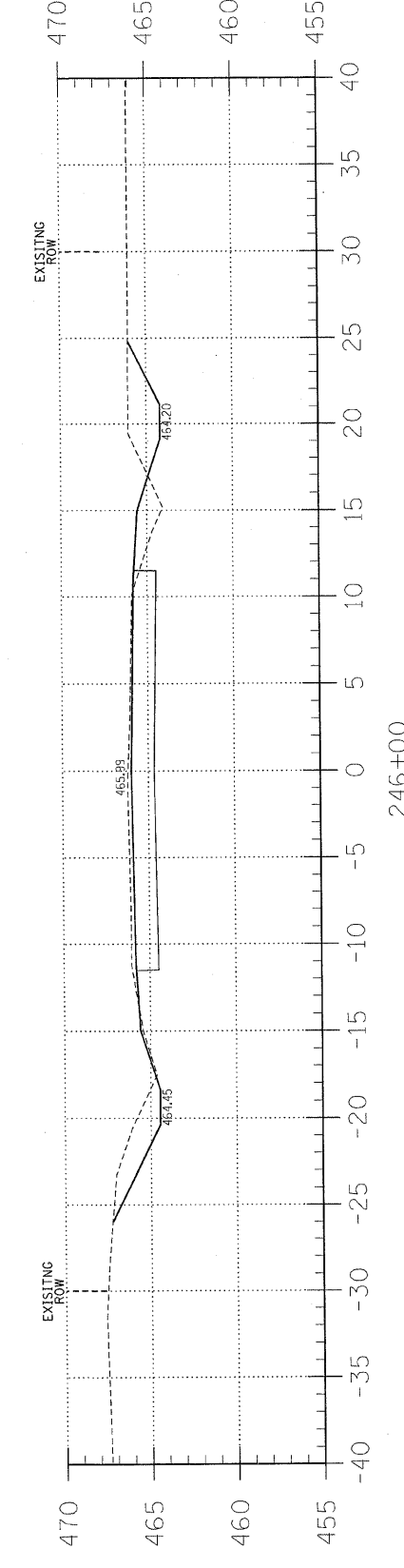
Area Cut : 25.5  
Area Fill : 10.2



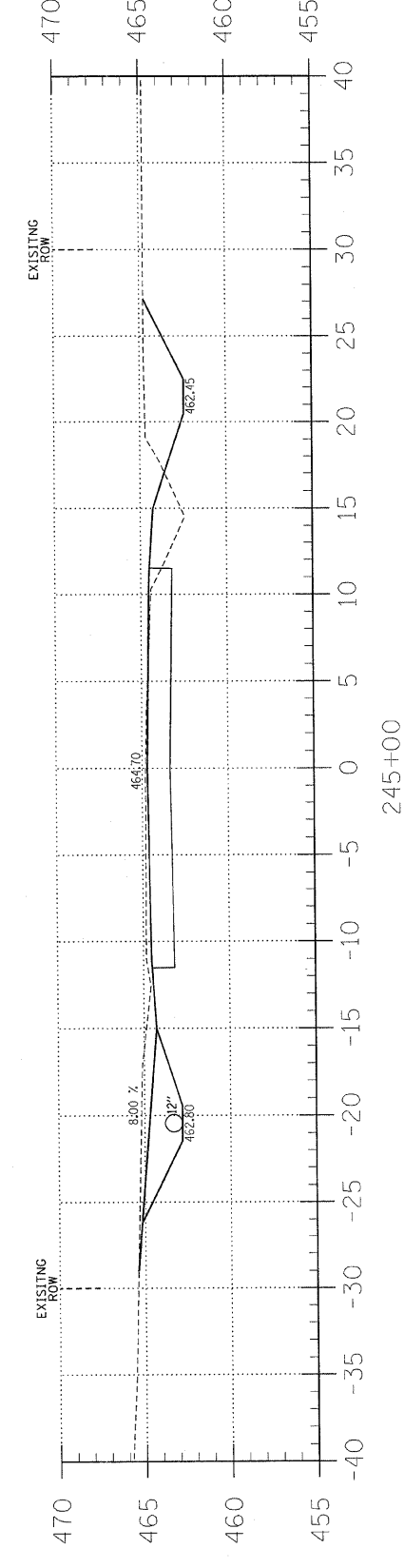
Area Cut : 19.2  
Area Fill : 15.4



Area Cut : 15.7  
Area Fill : 3.2



Area Cut : 20.6  
Area Fill : 5.1



Area Cut : 35.9  
Area Fill : 7.3