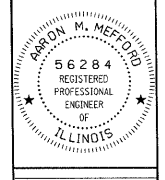




PROFESSIONAL DESIGN FIRM
LAND SURVEY & PROFESSIONAL ENGINEERING CORPORATION
184-000887
(62-032435)(35-002769)



AARON M. MEFFORD
NAME
Aaron Mefford
SIGNATURE
12-17-08
DATE
11-30-09
EXPIRES

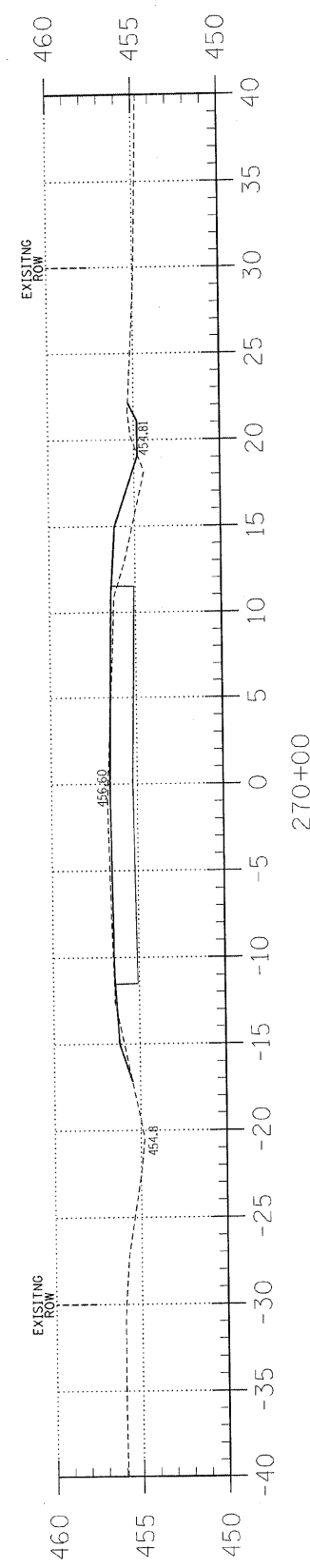
F.A.S. 880 (CH 8)
BELLE PRAIRIE ROAD
SECTION 06-00097-00-FP
HAMILTON COUNTY, ILLINOIS

SHEET TITLE:
CROSS-SECTIONS

SCALE: 1" = 5'
BY: AMM
DATE: 11/9/08
REV:

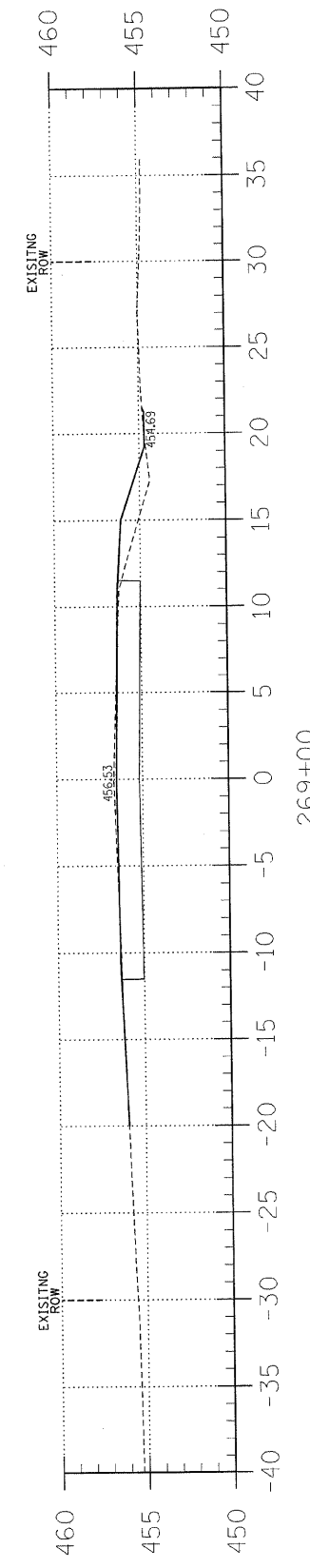
21 OF 25 SHEETS

SHEET NO. 21



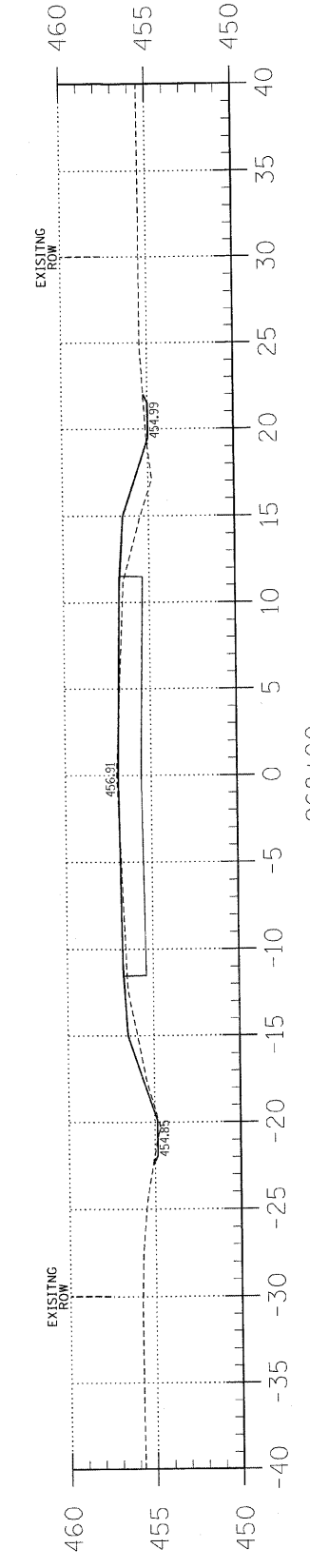
Area Cut : 2.4
Area Fill : 7.0

270+00



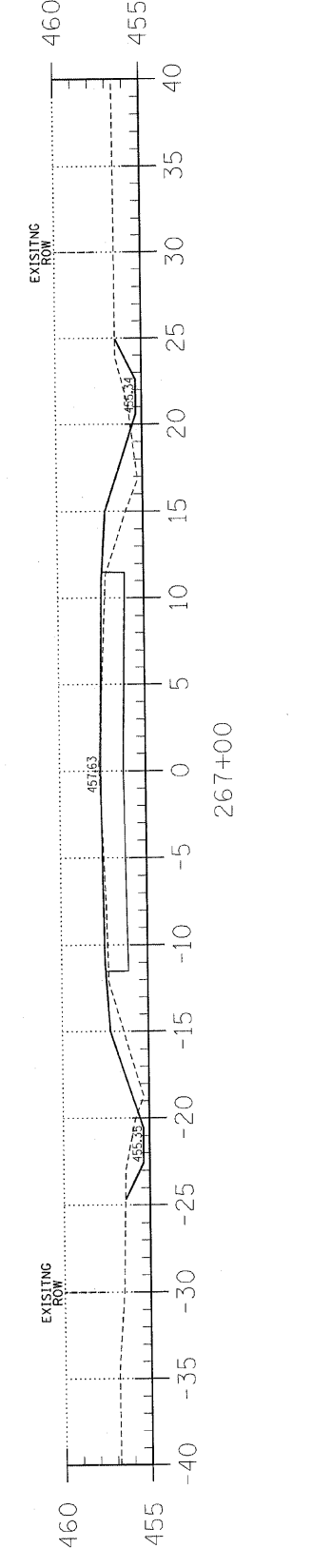
Area Cut : 1.5
Area Fill : 5.6

269+00



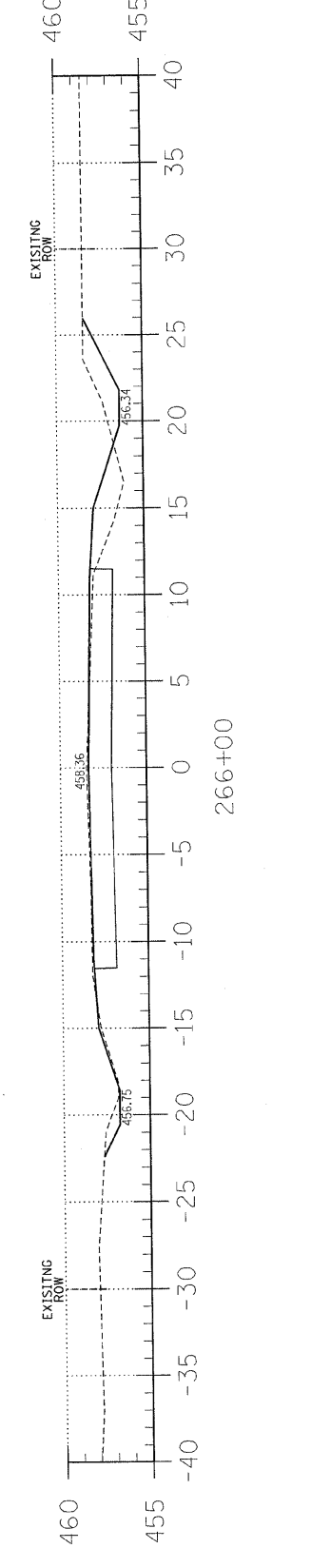
Area Cut : 0.8
Area Fill : 10.0

268+00



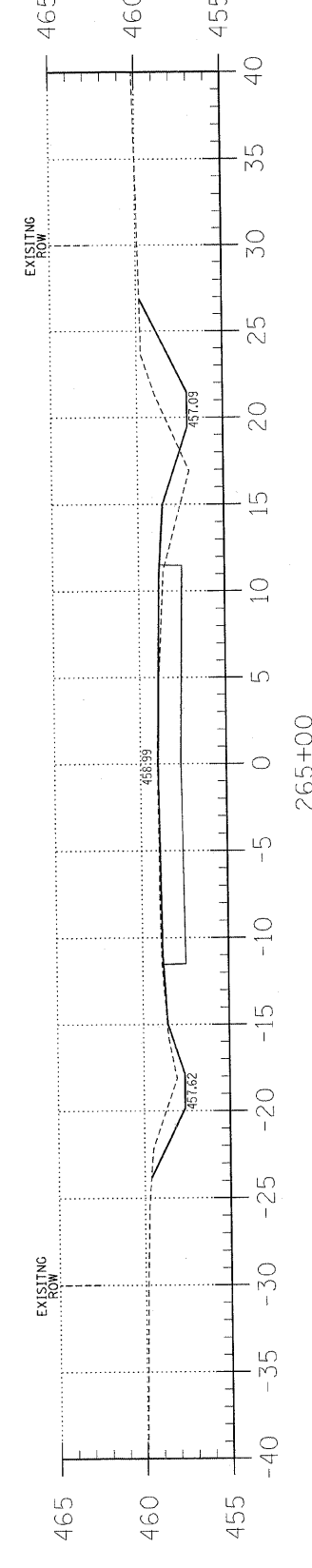
Area Cut : 5.6
Area Fill : 13.3

267+00



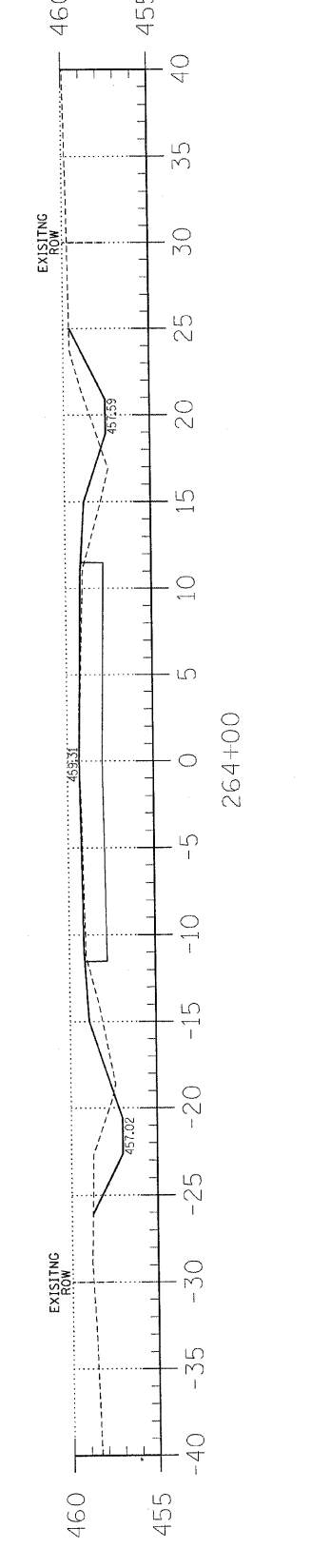
Area Cut : 8.3
Area Fill : 8.0

266+00



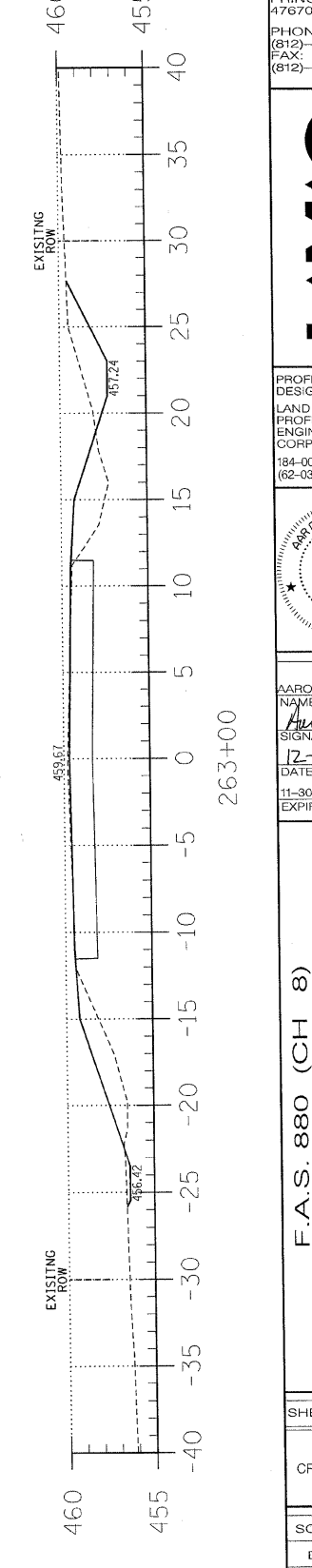
Area Cut : 15.8
Area Fill : 5.9

265+00



Area Cut : 11.3
Area Fill : 9.6

264+00



Area Cut : 9.8
Area Fill : 8.5

263+00