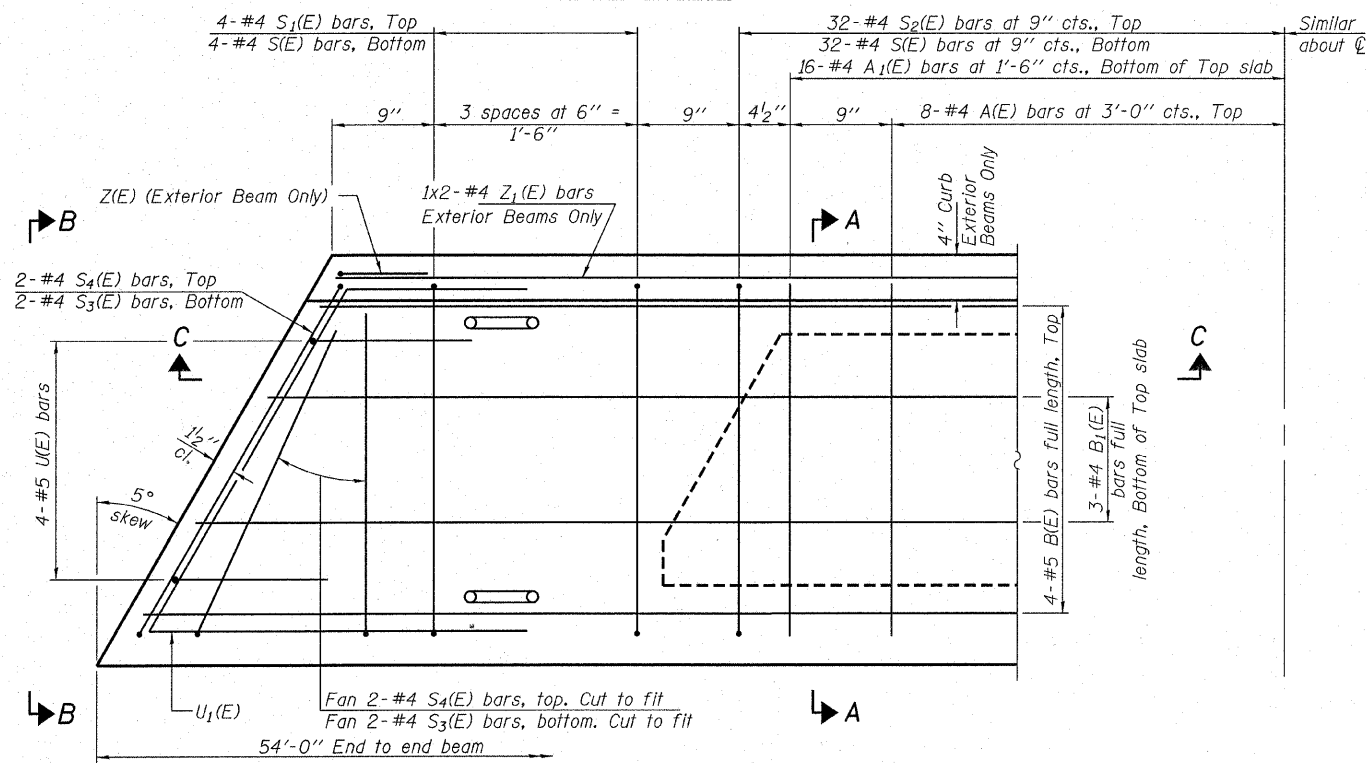
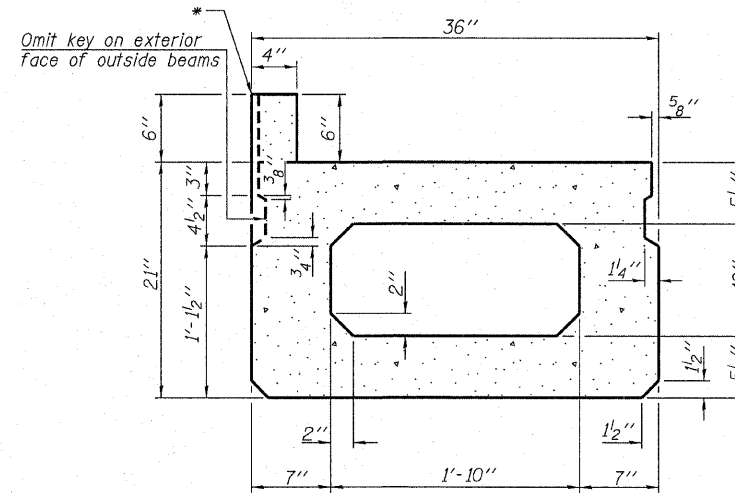


SECTION C-C



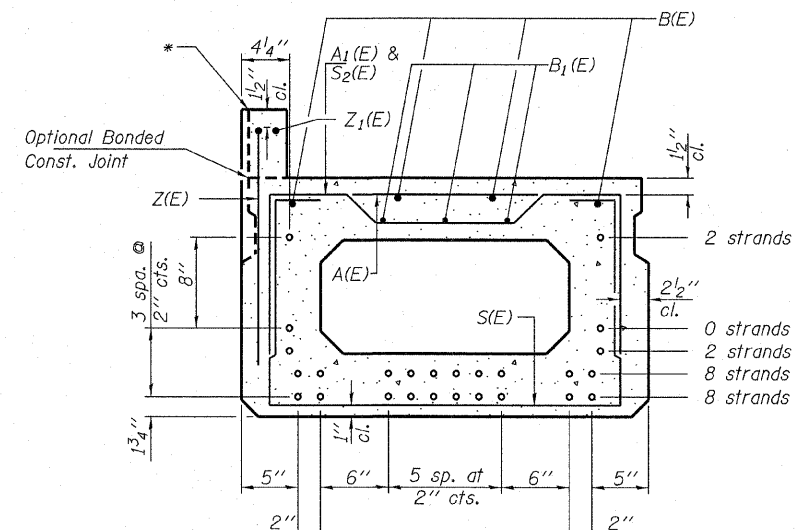
PLAN VIEW

Note: Spacing of S(E) and S2(E) bars may be adjusted up to 4" in the immediate area of the transverse tie diaphragms to miss the block outs for the transverse ties.



SECTION A-A

(Showing dimensions)

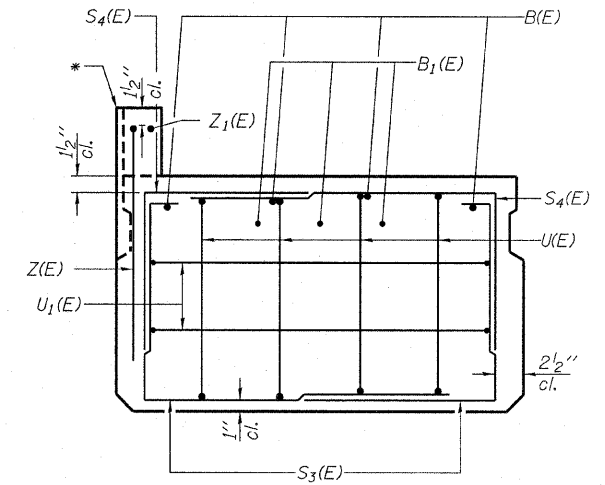


SECTION A-A

(Showing reinforcement and permissible strand locations)

Note: Place the number of strands specified in each row symmetrically about the centerline of beam in the permissible strand locations shown.

\* The exterior beams shall be cast with a 4" wide x 6" high concrete curb with reinforcement cast integrally with the beam. The Z(E) and Z1(E) bars shall be included in the unit cost for deck beams.



VIEW B-B

BAR LIST  
ONE BEAM ONLY  
(For information only)

Bar	No.	Size	Length	Shape
A(E)	16	#4	2'-7"	—
A1(E)	32	#4	2'-10"	—
B(E)	4	#5	53'-8"	—
B1(E)	3	#4	53'-8"	—
S(E)	72	#4	6'-5"	U
S1(E)	8	#4	4'-11"	U
S2(E)	64	#4	5'-2"	U
S3(E)	8	#4	4'-2"	U
S4(E)	8	#4	3'-5"	U
U(E)	8	#5	4'-0"	U
U1(E)	4	#4	5'-3"	U
Z(E)	*36	#4	2'-5"	U
Z1(E)	*2	#4	53'-8"	—

Note: See sheets 23 & 24 for additional details and Bill of Material.

SUPERSTRUCTURE  
21" X 36" PPC DECK BEAM  
STRUCTURE NO. 041-3738

DESIGNED - A.S.L.
CHECKED - S.W.M.
DRAWN - D.A.B.
CHECKED - D.T.M.

**HAMPTON, LENZINI & RENWICK, INC.**  
CIVIL & STRUCTURAL ENGINEERS  
LAND SURVEYORS

**HLR** 3085 STEVENSON DRIVE, SUITE 201  
SPRINGFIELD, ILLINOIS 62703  
(217) 546-3400

PROJECT NUMBER: 08 0126 130 DATE: 12/16/08

T.R.	SECTION	COUNTY	TOTAL SHEETS	SHEET NO.
131	07-06121-00-BR	JEFFERSON	30	22
FARRINGTON ROAD DISTRICT		CONTRACT NO. 99350		
FED. ROAD DIST. NO.	ILLINOIS	FED. AID PROJECT		