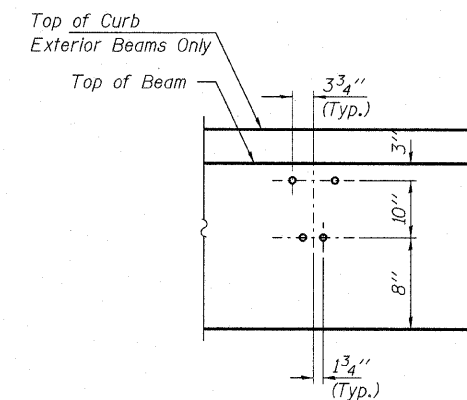
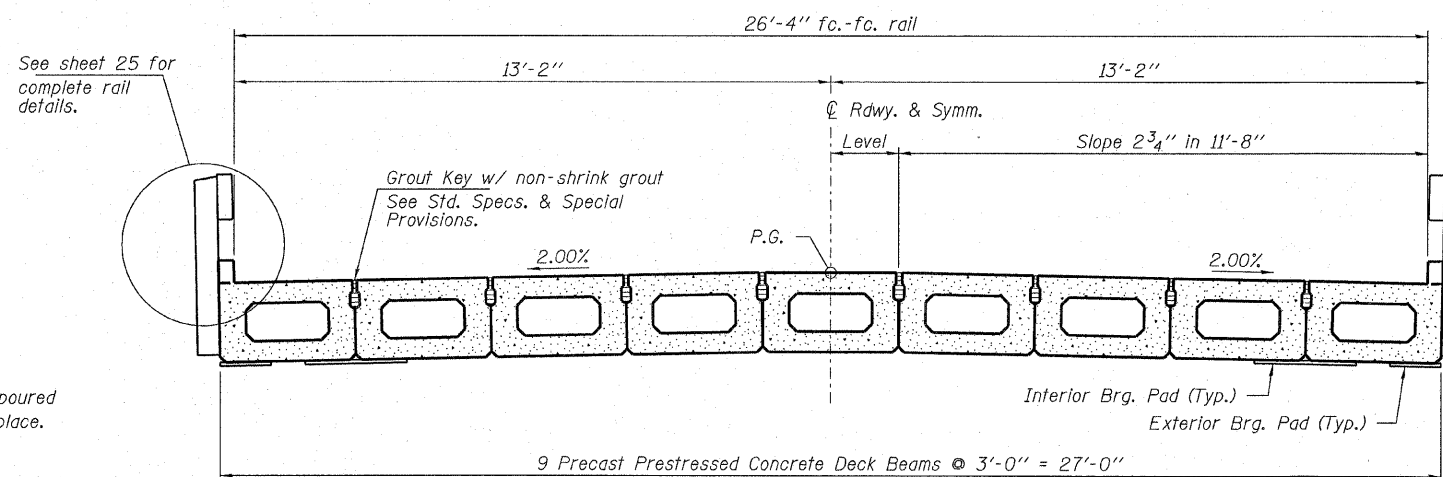


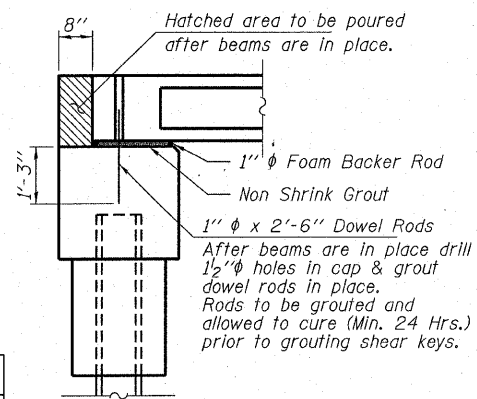
**ELEVATION**  
Showing Rail Post Spaces  
See sheet 25 for Railing Details.



**DETAIL A**  
See sheet for Rail Insert Details.



**CROSS SECTION**  
See sheets 20 thru 23 for Superstructure.




**SECTION AT ABUTMENTS**

• Rt. L's  
Note: Shim beams to maintain 1/2" min. clearance between the beam and cap.

DESIGNED - A.S.L.
CHECKED - S.W.M.
DRAWN - D.A.B.
CHECKED - D.T.M.

**SUPERSTRUCTURE DETAILS**  
**STRUCTURE NO. 041-3738**

<b>HAMPTON, LENZINI &amp; RENWICK, INC.</b> CIVIL & STRUCTURAL ENGINEERS LAND SURVEYORS  3085 STEVENSON DRIVE, SUITE 201 SPRINGFIELD, ILLINOIS 62703 (217) 546-3400 PROJECT NUMBER: 08.0126.130    DATE: 12/16/08	T.R.	SECTION	COUNTY	TOTAL SHEETS	SHEET NO.
	131	07-06121-00-BR	JEFFERSON	30	24
	FARRINGTON ROAD DISTRICT		CONTRACT NO. 99350		
	FED. ROAD DIST. NO.	ILLINOIS	FED. AID PROJECT		