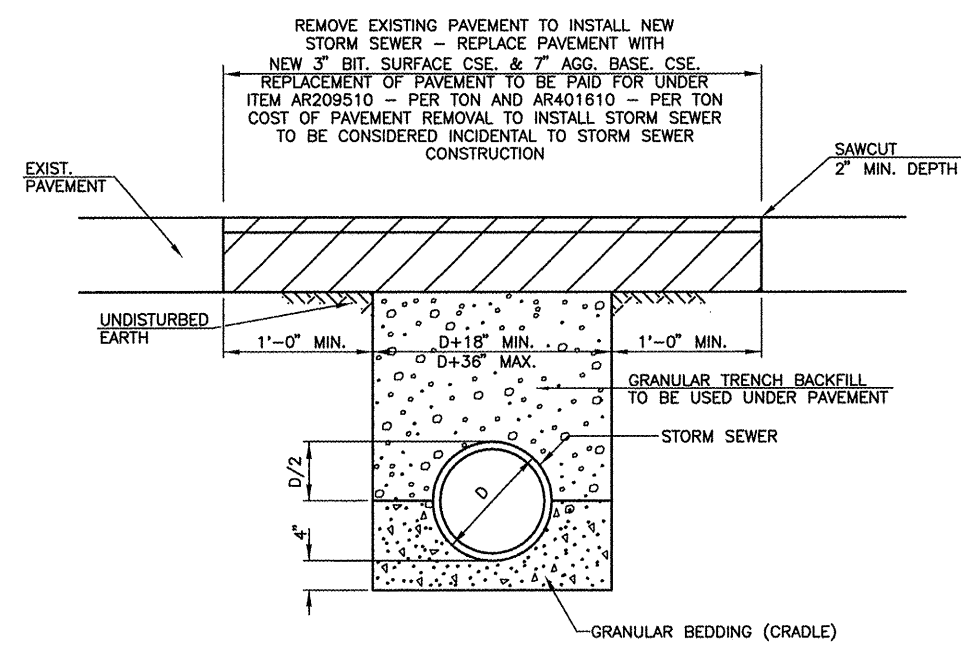
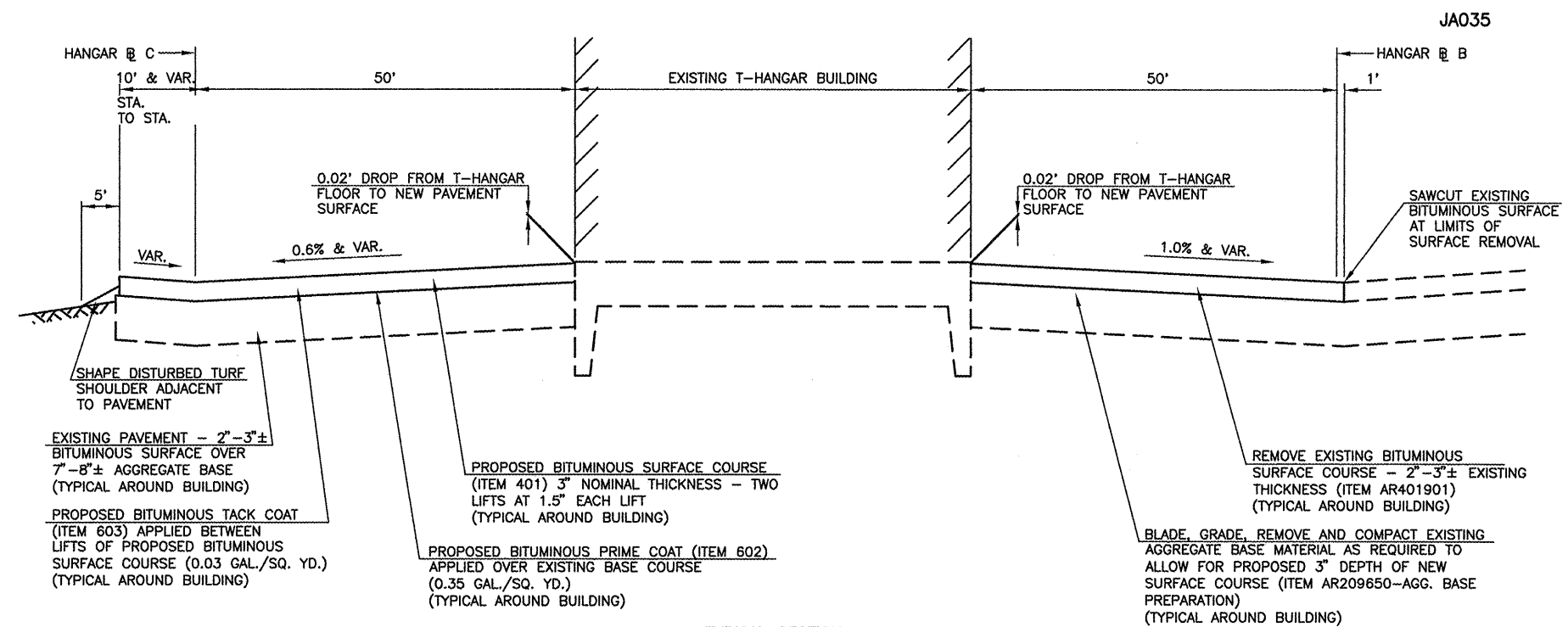


TYPICAL STORM SEWER TRENCH DETAILS

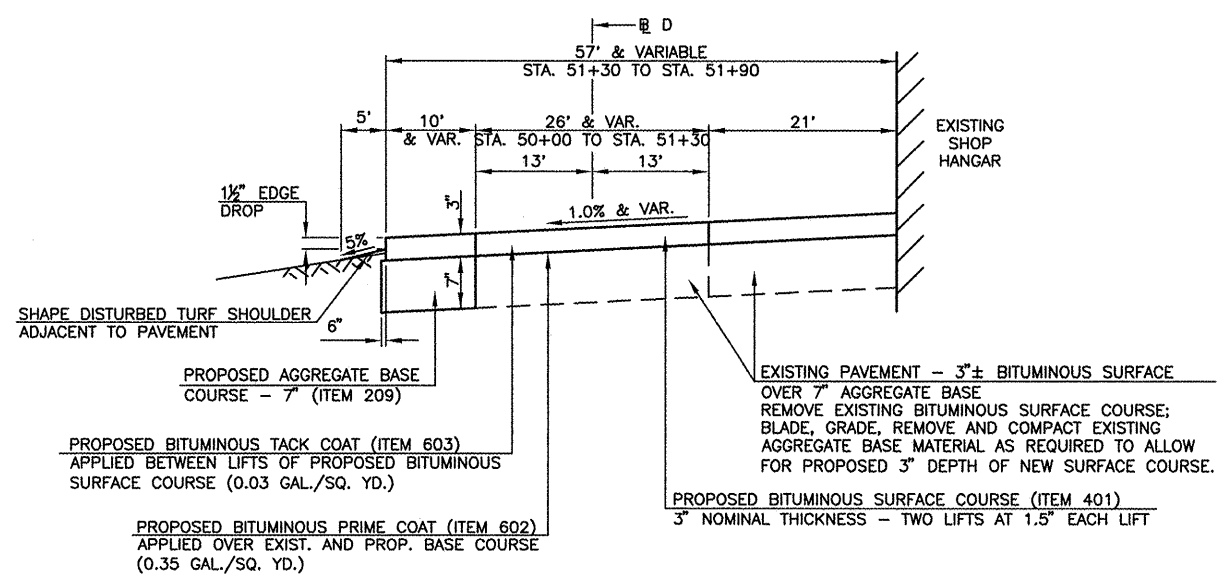


TYPICAL STORM SEWER TRENCH DETAILS



TYPICAL SECTION
T-HANGAR PAVEMENT

GENERAL NOTE: THE DISTURBED TURF SHOULDER ADJACENT TO THE NEWLY SURFACED AND/OR WIDENED PAVEMENT SHALL BE SHAPED USING THE EXCAVATED MATERIAL OBTAINED FROM THE PAVEMENT WIDENING AND THE PROPOSED STORM SEWER TRENCHING OPERATIONS. ANY EXCESS EXCAVATED MATERIAL REMAINING UPON COMPLETION OF THE SHOULDER SHAPING SHALL BE DISPOSED OF OFF THE AIRPORT SITE BY THE CONTRACTOR. THIS WORK SHALL BE CONSIDERED INCIDENTAL TO UNCLASSIFIED EXCAVATION (ITEM 152).



TYPICAL SECTION
HANGAR ACCESS PAVEMENT

JACKSONVILLE MUNICIPAL AIRPORT JACKSONVILLE, ILLINOIS	
TYPICAL SECTIONS AND STORM SEWER DETAILS	
HUTCHISON ENGINEERING, INC. JACKSONVILLE, ILLINOIS	
DRAWN BY: T.I.D.	ILL. PROJ. NO. IJX-3868
DATE: MARCH, 2009	AIP PROJ. NO. 3-17-0054-B13