

BY	
REVISION	
DATE	

MID-AMERICAN AIR CENTER
LAWRENCEVILLE-VINCENNES AIRPORT
LAWRENCEVILLE, ILLINOIS

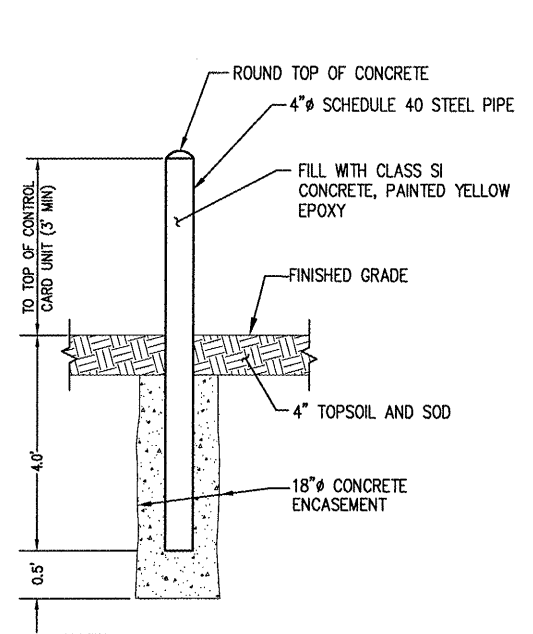
A.I.P. PROJ.: 3-17-0061-B15
IL. PROJ.: LW-3869

Hanson Project No.	08A0185D-0800
Filename	E-502.DWG
Scale	NONE
Date	01/20/09
LAYOUT	KNL 01/06/09
DRAWN	MV 01/07/09
REVIEWED	JSL 01/09/09



FRONTAL AREA
FENCE INSTALLATION

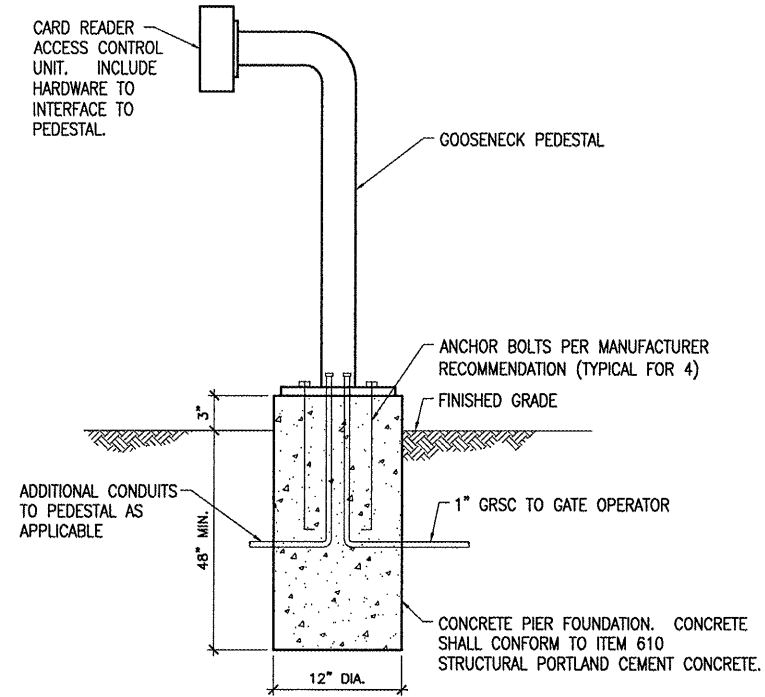
CARD READER,
BOLLARD & GATE
OPERATOR DETAILS



NOTES

1. THE EXPOSED PORTION OF THE BOLLARD SHALL BE PAINTED YELLOW EPOXY.
2. BOLLARD AND ASSOCIATED ITEMS ARE INCIDENTAL TO THE ELECTRIC SLIDING GATE.

BOLLARD DETAIL

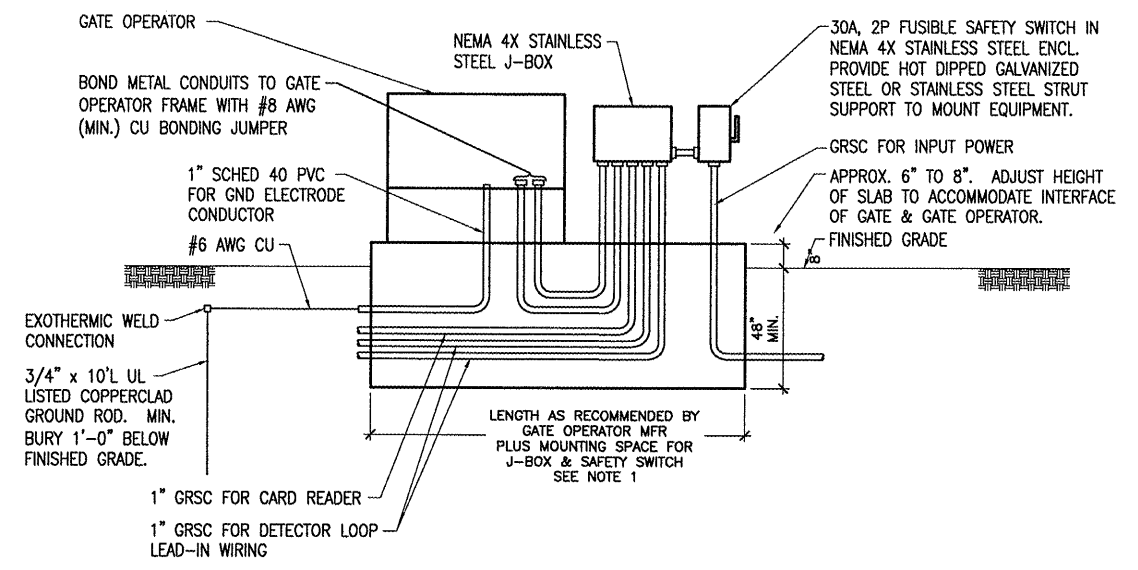


NOTES

1. SEE SPECIAL PROVISION SPECS FOR REQUIREMENTS ON CARD READER ACCESS CONTROL UNIT.
2. INCLUDE #12 AWG EQUIPMENT GND WIRE TO CARD READER.
3. FACE OF CARD READER SHALL NOT EXTEND BEYOND BOLLARDS.

CARD READER ACCESS CONTROL UNIT PEDESTAL ELEVATION DETAIL

SCALE: NONE

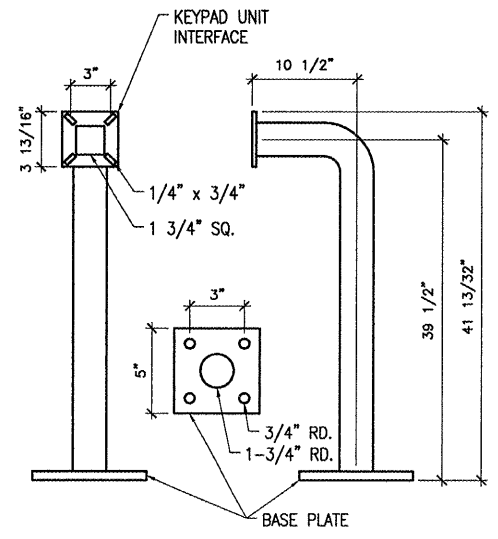


NOTES

1. FOUNDATION FOR GATE OPERATOR SHALL BE 48" MIN. IN DEPTH AND OF THE LENGTH & WIDTH RECOMMENDED BY THE MANUFACTURER, PLUS SPACE FOR SAFETY SWITCH, J-BOX & CONDUITS.
2. COORDINATE CONDUITS INTO FOUNDATION.
3. CONFIRM CONDUIT SIZES AND WIRING REQUIREMENTS WITH THE GATE OPERATOR MFR. ADJUST/INCREASE CONDUIT SIZES WHERE APPLICABLE. REQUIREMENTS VARY BETWEEN DIFFERENT MANUFACTURERS.
4. ALL ENCLOSURES RATED NEMA 4, 4X SHALL HAVE WATERTIGHT HUBS AT CONDUIT ENTRANCES U.L. LISTED NEMA 4, 4X FOR THE RESPECTIVE ENCLOSURE, TO MAINTAIN THE NEMA 4, 4X RATING.

GATE OPERATOR FOUNDATION DETAIL

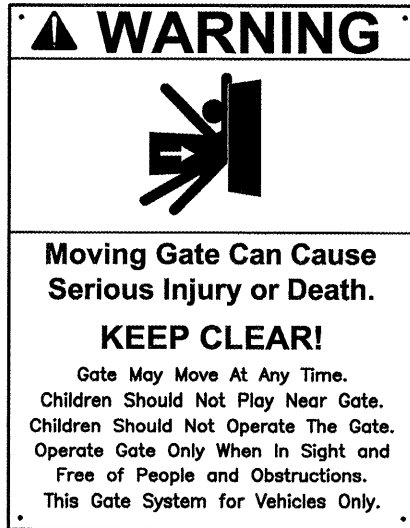
"NOT TO SCALE"



GOOSENECK PEDESTAL DETAIL

SCALE: NONE

NOTE:
GOOSENECK PEDESTAL SHALL BE AMERICAN ACCESS SYSTEMS, INC. (7079 SOUTH JORDAN RD., UNIT 6, ENGLEWOOD, CO 80112, PHONE: 800-541-5677, FAX 303-799-9756) MODEL 18-001 OR APPROVED EQUAL.



NOTES

1. WARNING SIGNS/PLACARDS AS DETAILED ABOVE OR SIMILAR, SHALL BE INSTALLED WHERE CLEARLY VISIBLE ON BOTH SIDES OF EACH ELECTRIC SLIDE GATE. WARNING SIGNS SHALL BE WEATHERPROOF, CORROSION RESISTANT METAL, AS DETAILED ABOVE, AND IN ACCORDANCE WITH THE RESPECTIVE GATE MANUFACTURER'S RECOMMENDATIONS, B&B ARMR PART NO. 0000-0017, HY-SECURITY PART NO. MX000882, OR EQUAL.

WARNING SIGN DETAIL