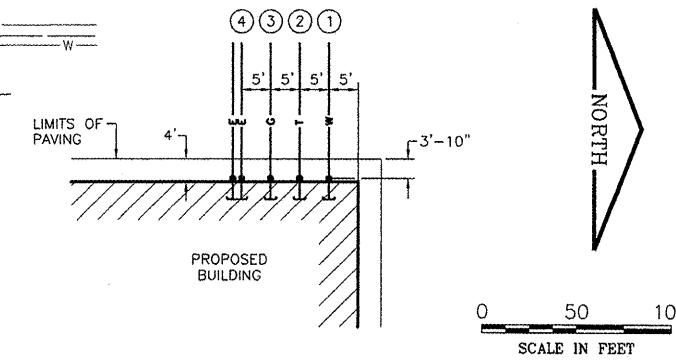


LEGEND

- G — EXISTING GAS LINE
- G — PROPOSED GAS SERVICE LINE CONDUIT
- W — EXISTING WATERMAIN
- W — PROPOSED WATER SERVICE LINE
- - - - - PROPERTY LINE
- - - - - UTILITY EASEMENT LINE
- - - - - EXISTING STORM SEWER
- - - - - PROPOSED STORM SEWER
- - - - - PROPOSED SLOTTED DRAIN
- - - - - PROPOSED TELEPHONE SERVICE LINE CONDUIT
- - - - - PROPOSED ELECTRIC SERVICE CONDUITS
- - - - - EXISTING 2" PVC CONDUIT- DIRECT BURIAL
- ☆ EXISTING APRON LIGHT TO REMAIN

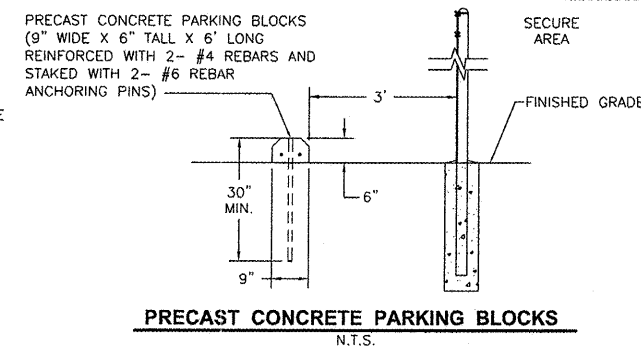
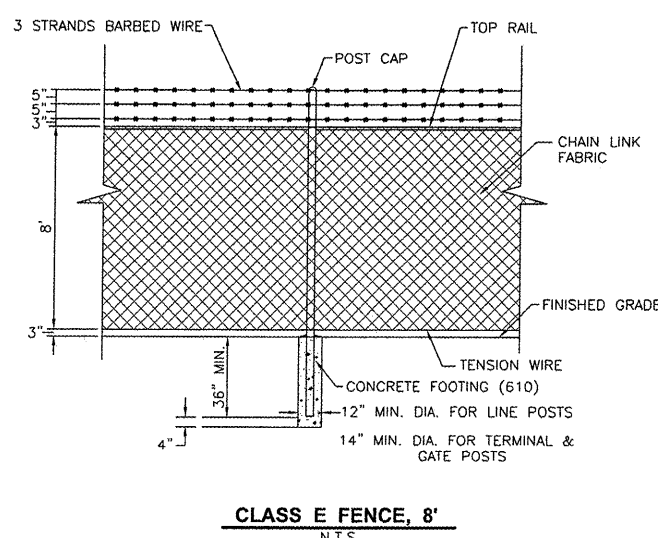
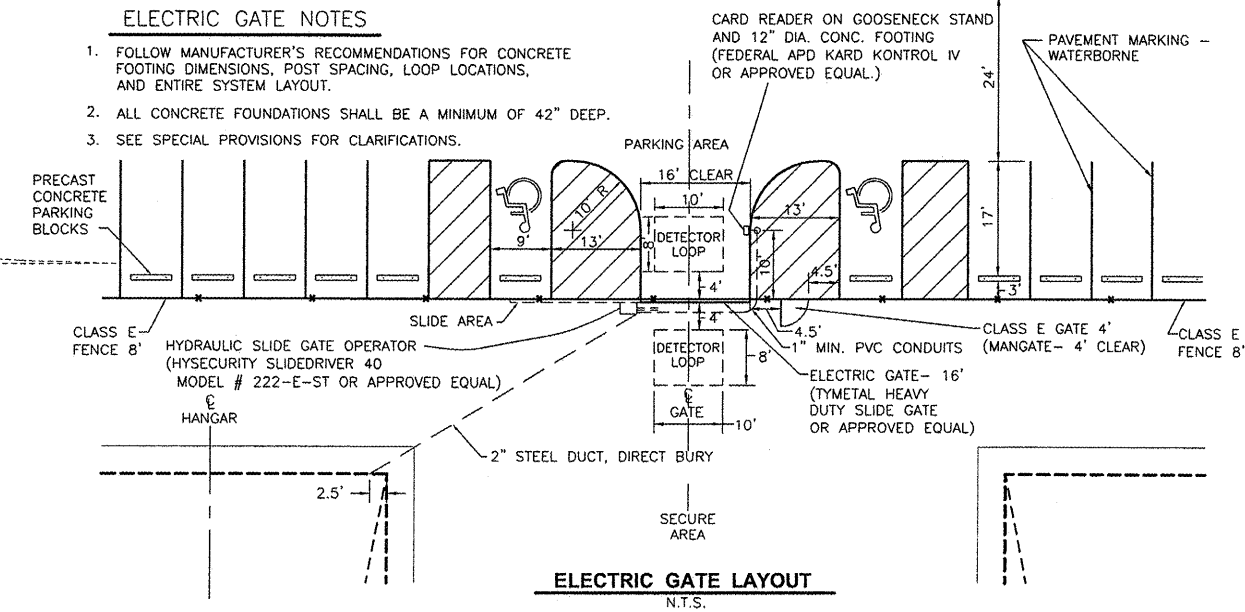


THESE ITEMS ARE INCIDENTAL TO CONSTRUCTION

- ① WATER (1) - 1" DIA. TYPE K, COPPER SERVICE PIPE 4'-6" BELOW FINISHED GRADE
- ② TELEPHONE (1) - 1" DIA. CONDUIT W/ LONG RADIUS ELBOW 2'-6" BELOW FINISHED GRADE (TERMINATE AND CAP 6" ABOVE FINISHED GRADE)
- ③ GAS (1) - 4" DIA. PVC CONDUIT W/ LONG RADIUS ELBOW 3' BELOW FINISHED GRADE (TERMINATE AND CAP 6" ABOVE FINISHED GRADE)
- ④ ELECTRIC (2) - 2" DIA. CONDUIT W/ LONG RADIUS ELBOWS 2'-6" BELOW FINISHED GRADE (TERMINATE AND CAP 6" ABOVE FINISHED GRADE)

ELECTRIC GATE NOTES

1. FOLLOW MANUFACTURER'S RECOMMENDATIONS FOR CONCRETE FOOTING DIMENSIONS, POST SPACING, LOOP LOCATIONS, AND ENTIRE SYSTEM LAYOUT.
2. ALL CONCRETE FOUNDATIONS SHALL BE A MINIMUM OF 42" DEEP.
3. SEE SPECIAL PROVISIONS FOR CLARIFICATIONS.



CHAMLIN & ASSOCIATES, INC. © 2009
Drawing Name: G:\Users\1100274\Morris-Airport-General-Aviation-Apron\CAO\CAO\09-UTILITY.dwg Last Modified: Feb 09, 2009 - 2:26pm Plotted on: Feb 10, 2009 - 10:46am by mick

DRAWN BY: JMT/NET	LEVEL	BY	DATE	REVISIONS	DESCRIPTION
CHECKED BY: KWH					
DATE: 2/09					

CHAMLIN & ASSOCIATES
PERU MORRIS
ILLINOIS

MORRIS MUNICIPAL AIRPORT
MORRIS, ILLINOIS

UTILITY AND FENCING PLAN

CONSTRUCTION PLANS

CURRENT AS OF: 2/09	
SCALE: AS NOTED	SHEET 9
FILE NO.: 1002.74 Y-	OF 11