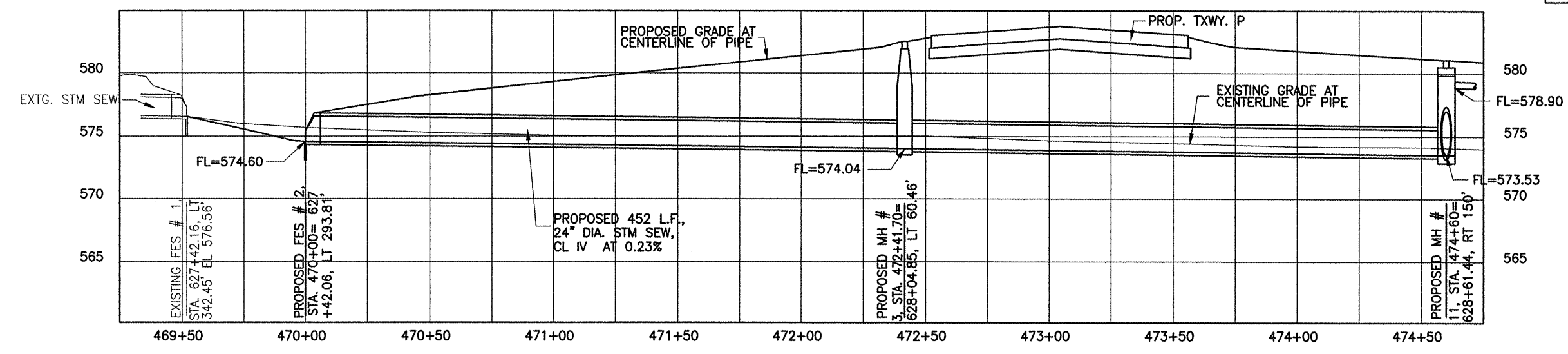
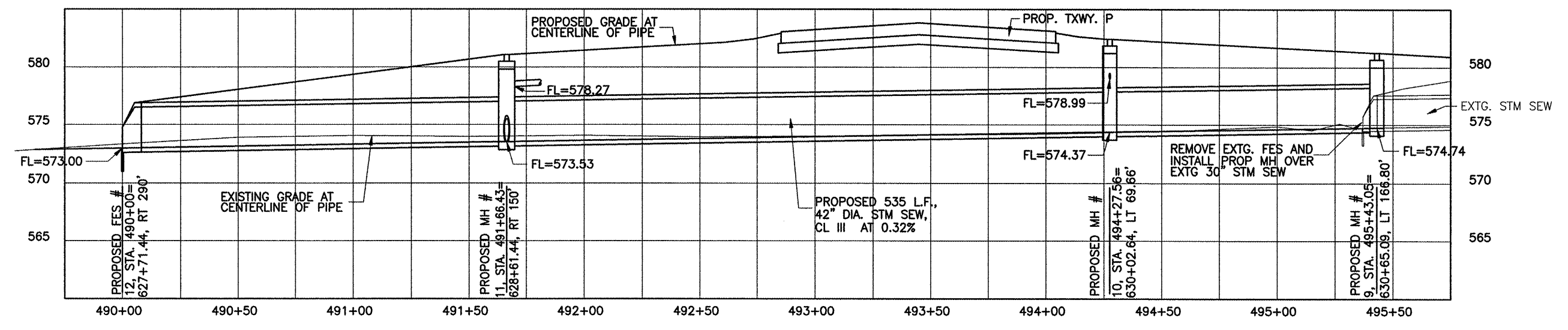


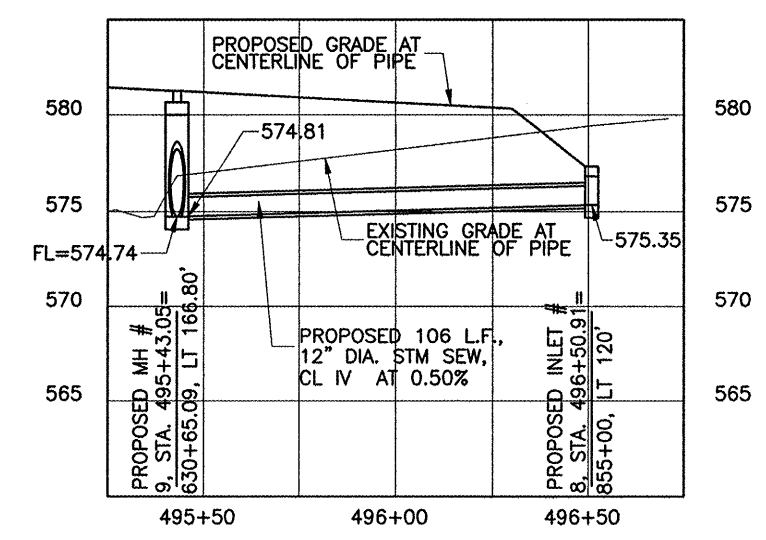
TAXIWAY P, STA. 627+42.06 LEFT 293.81' TO STA. 628+04.85 LEFT 60.46'
STORM SEWER CENTERLINE PROFILE



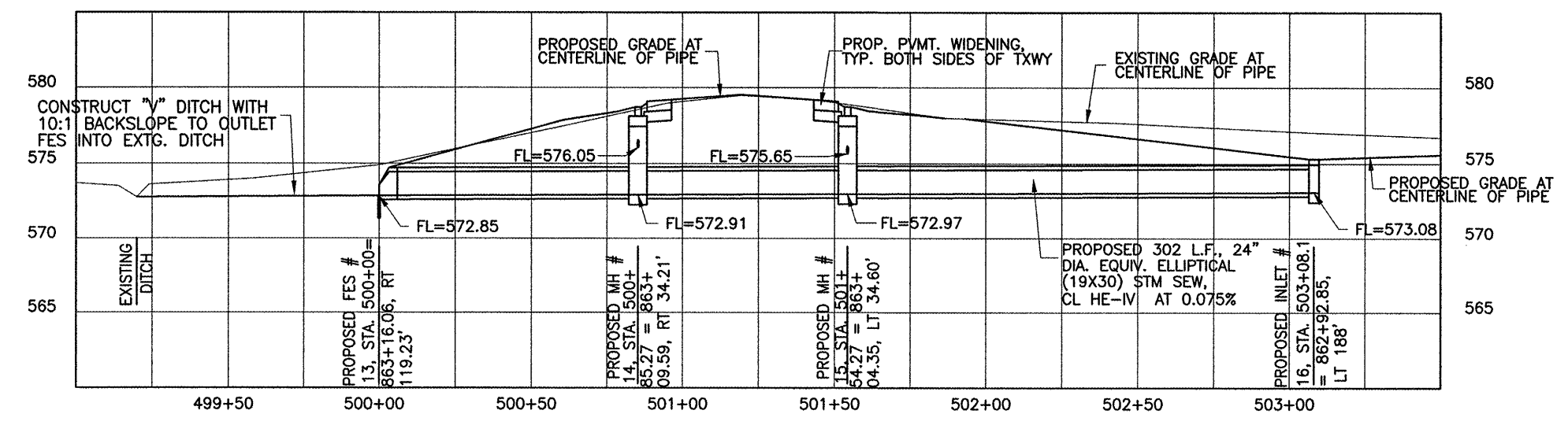
TAXIWAY P, STA. 627+71.44 RIGHT 290' TO STA. 630+65.09 LEFT 166.80'
STORM SEWER CENTERLINE PROFILE



TAXIWAY P, STA. 630+65.09 LEFT 166.80' TO STA. 855+00 LEFT 120'
STORM SEWER CENTERLINE PROFILE



TAXIWAY D, STA. 862+92.85 LEFT 188' TO STA. 863+16.06 RIGHT 119.23'
STORM SEWER CENTERLINE PROFILE



G:\airport\A08T032 TP MID PVMT\DRAINAGE1.dwg, 4/11/2009 8:15:33 AM, jefrm