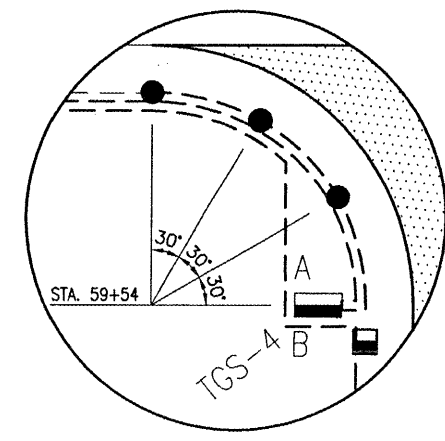
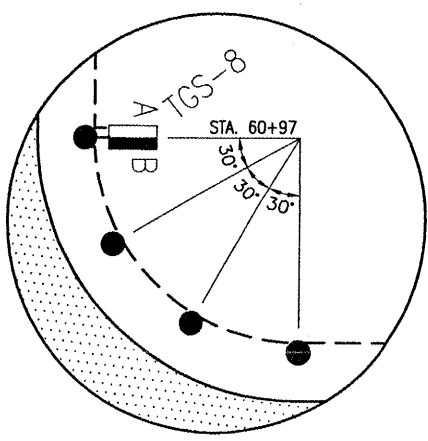


DETAIL "A" (NOT TO SCALE)

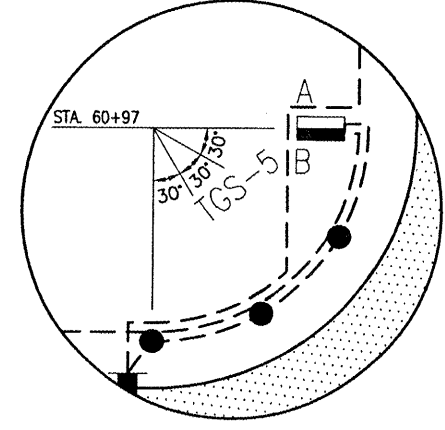
DISTANCE REMAINING SIGN DETAIL



DETAIL "B" (NOT TO SCALE)



DETAIL "C" (NOT TO SCALE)



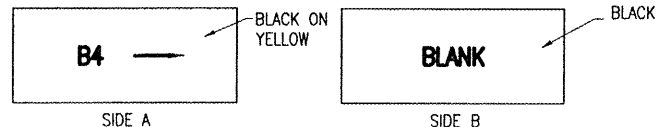
DETAIL "D" (NOT TO SCALE)

TAXI GUIDANCE SIGN NOTES

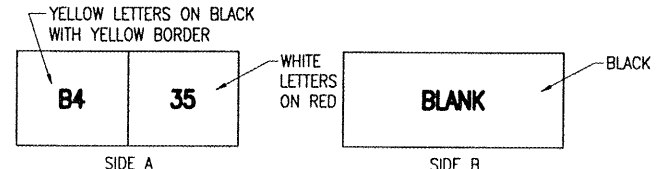
ALL PROPOSED TAXI GUIDANCE SIGNS WILL BE LOCATED AS SHOWN ON SHEET 45.

ALL PROPOSED TAXI GUIDANCE SIGNS WILL BE LOCATED SUCH THAT THE CLOSEST SIDE OF THE SIGN IS 15' FROM THE PAVEMENT EDGE.

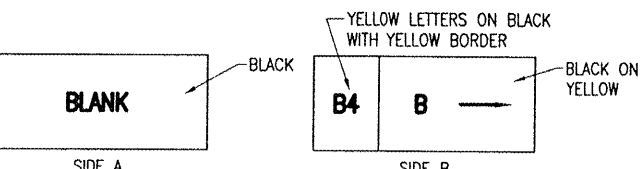
ALL SIGNS WILL READ AS DETAILED ON THIS SHEET.



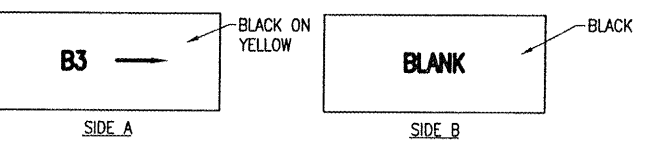
TAXI GUIDANCE SIGN DETAIL TGS-5 (NOT TO SCALE)



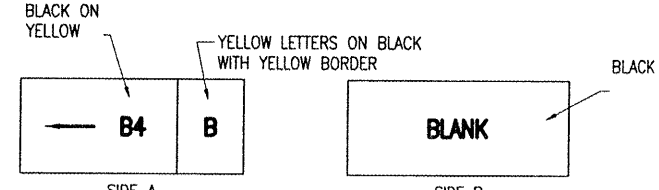
TAXI GUIDANCE SIGN DETAIL TGS-6 (NOT TO SCALE)



TAXI GUIDANCE SIGN DETAIL TGS-7 (NOT TO SCALE)



TAXI GUIDANCE SIGN DETAIL TGS-4 (NOT TO SCALE)



TAXI GUIDANCE SIGN DETAIL TGS-8 (NOT TO SCALE)

REVISION	DATE	BY

ST. LOUIS REGIONAL AIRPORT

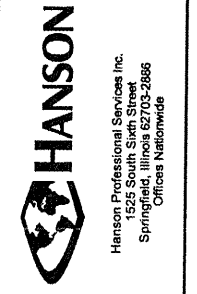
St. Louis Regional Airport

EAST ALTON, ILLINOIS

A.I.P. PROJ.: ALN-3825

IL PROJ.: ALN-0002-B42

FILE PROJECT No. 83708RWD_0800	DATE 02/11/08
FILENAME R-541ELE.DWG	CAH 02/11/08
SCALE NOT TO SCALE	BAK 02/11/08
DATE 02/11/08	CAH 07/11/08
LAYOUT	
DRAWN	
REVIEWED	



RUNWAY SAFETY AREA IMPROVEMENTS

PROPOSED ELECTRICAL DETAILS FOR RUNWAY END 35

FEB 10, 2009 4:52 PM HAGL000382 \\ARPORTS\STLOUIS\837-08RWD\AIRPORT\PROJECTS\R-541ELE.DWG - RWD 35 END