

042

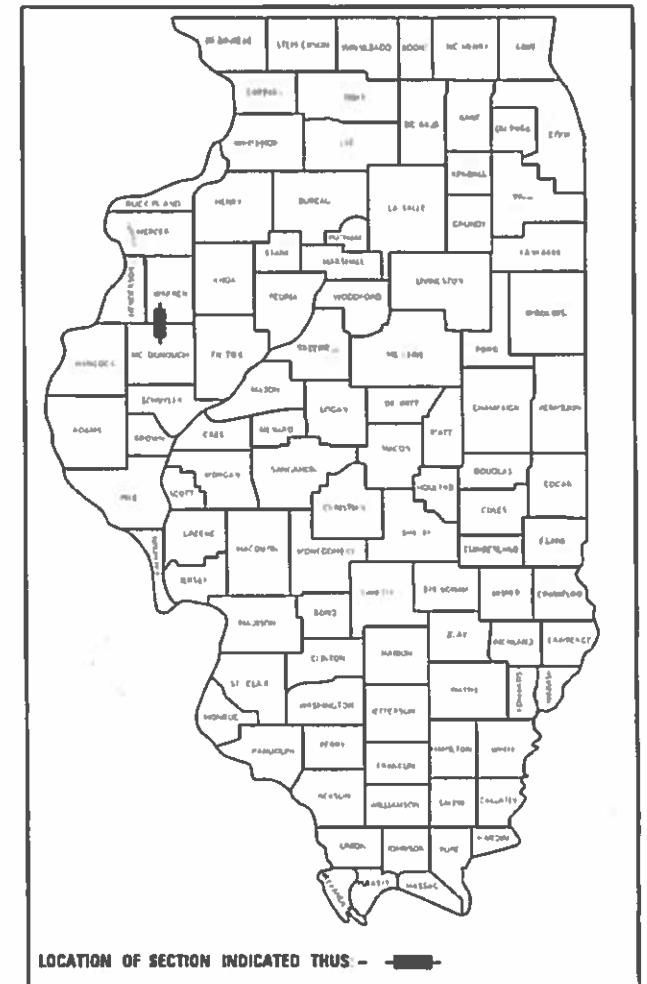
FAP RTE	SECTION	COUNTY	TOTAL SHEETS	SHEET NO
310	136,37-2)RS-3	WARREN	11	1
CONTRACT NO. 68F16			MCDONOUGHWARREN	

STATE OF ILLINOIS
DEPARTMENT OF TRANSPORTATION

**PROPOSED
HIGHWAY PLANS**

FAP ROUTE 310 (US 67/L 110)
SECTION (36,37-2)RS-3
PROJECT NHPP-W6C6(620)
PAVEMENT PRESERVATION
MCDONOUGH AND WARREN COUNTIES
C-94-006-20

D-94-005-20



PROJECT DESCRIPTION:

THE PROPOSED IMPROVEMENT CONSISTS OF MICROSURFACING (1 PASS) ON US 67/L 110 FROM 0.4 MILES SOUTH OF N 2100TH ROAD TO NORTH OF 40TH AVENUE

STATE OF ILLINOIS
DEPARTMENT OF TRANSPORTATION

SUBMITTED Jan 30 2020
Kennel A. Burnett KSO
REGIONAL ENGINEER

March 20 2020
[Signature]
ENGINEER OF DESIGN AND ENVIRONMENT

March 20 2020
[Signature]
DIRECTOR OF HIGHWAYS PROJECT IMPLEMENTATION 13

INDEX OF SHEETS:

- 1 COVER SHEET
- 2 COMMITMENTS AND JOB SPECIFIC NOTES
- 3-4 SUMMARY OF QUANTITIES
- 5-6 SCHEDULE OF QUANTITIES
- 7 LINE DIAGRAM
- 8-9 TYPICAL SECTIONS
- 10-11 DISTRICT STANDARDS

HIGHWAY STANDARDS

- 701400-09
- 701406-12
- 701411-09
- 701426-09
- 701901-08
- 780001-05
- 781001-04

DISTRICT STANDARDS

780001

ADT: 4,250 (2017)
HCV: 1,092 (25.70%)
SU: 642 (15.11%)
MU: 450 (10.59%)

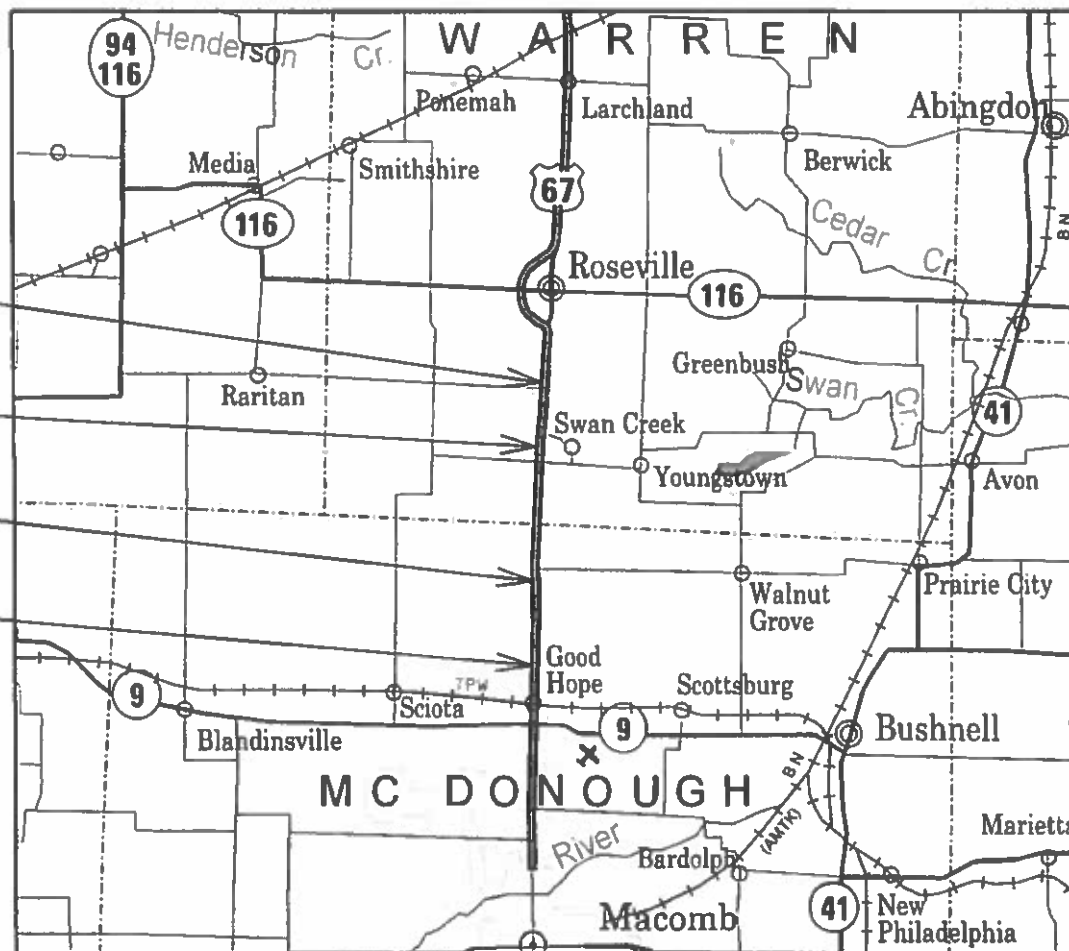


FULL SIZE PLANS HAVE BEEN PREPARED USING STANDARD ENGINEERING SCALES. REDUCED SIZED PLANS WILL NOT CONFORM TO STANDARD SCALES. IN MAKING MEASUREMENTS ON REDUCED PLANS, THE ABOVE SCALES MAY BE USED.

J.U.L.I.E.
JOINT UTILITY LOCATION INFORMATION FOR EXCAVATORS
1-800-892-0123
OR 811

PROJECT ENGINEER: RICHARD DOTSON (309) 671-3455
PROJECT MANAGER: MICHAEL JACOBS (309) 671-3460

CATALOG NO. 035838-00D
CONTRACT NO. 68F16



PROJECT ENDS:
STA. 805 + 64

BRIDGE OMISSION:
STA. 737 + 04 TO 738 + 54

BRIDGE OMISSION:
STA. 530 + 40 TO 531 + 72

PROJECT BEGINS:
STA. 402 + 45

GROSS LENGTH = 40,378.1 FT. = 7.65 MI.
NET LENGTH = 40,096.1 FT. = 7.59 MI.

PRINTED BY THE AUTHORITY
OF THE STATE OF ILLINOIS

COMMITMENTS:

NO COMMITMENTS HAVE BEEN MADE FOR THIS PROJECT.

JOB SPECIFIC NOTES:

SURFACE TESTS APPLICATION

SMOOTHNESS TESTS ON THE COMPLETED SURFACE WILL NOT BE REQUIRED; BUT THE ENGINEER RESERVES THE RIGHT TO REQUIRE CORRECTIVE MEASURES WHEN OBVIOUS SURFACE VARIATIONS ARE PRESENT.

STATIONING

THE EXISTING ROADWAY STATIONS SHALL BE COVERED PRIOR TO THE MICRO-SURFACING APPLICATION. THE COVER SHALL BE REMOVED AFTER WORK IS COMPLETED. THIS WORK SHALL BE INCLUDED IN THE COST OF THE "TRAFFIC CONTROL AND PROTECTION STANDARD 701406"

PAINT PAVEMENT MARKING

TWO APPLICATIONS SHALL BE APPLIED. THE FIRST APPLICATION SHALL BE APPLIED AFTER THE PROPOSED TREATMENT CURING TIME AS SPECIFIED IN THE STANDARD SPECIFICATIONS. THE SECOND APPLICATION SHALL BE APPLIED THIRTY (30) DAYS AFTER THE FIRST APPLICATION IS APPLIED.

MODEL: Default
FILE NAME: P:\pub\baronm.dwg
PROJECT: I:\projects\DOT\Documents\DOT_Offices\District_4\Projects\ID4_68F16\CADD\Drawings\68F16_SHEET.SET

* McDONOUGH/WARREN

USER NAME = bourisba	DESIGNED -	REVISED -	STATE OF ILLINOIS DEPARTMENT OF TRANSPORTATION	COMMITMENTS & JOB SPECIFIC NOTES	F.A.P. RTE.	SECTION	COUNTY	TOTAL SHEETS	SHEET NO.	
	DRAWN -	REVISED -			310	(36,37-2)RS-3	*	11	2	
PLOT SCALE = 100,0000 ' / in.	CHECKED -	REVISED -			CONTRACT NO. 68F16					
PLOT DATE = 1/31/2020	DATE -	REVISED -			SCALE:	SHEET	OF	SHEETS	STA.	TO STA.

CODE NO.	ITEM	UNIT	TOTAL QUANTITY	CONSTRUCTION CODE	
				MCDONOUGH COUNTY	WARREN COUNTY
				80% FEDERAL	80% FEDERAL
				20% STATE	20% STATE
				0005	0005
40400001	FIBER-MODIFIED ASPHALT CRACK SEALING	FOOT	1000	600	400
40400020	BUMP REMOVAL	EACH	25	10	15
40400118	MICRO-SURFACING, SINGLE PASS	SQ YD	222428	104572	117856
40600295	POLYMERIZED BITUMINOUS MATERIALS (TACK COAT)	POUND	50048	23530	26518
67100100	MOBILIZATION	L SUM	1	0.5	0.5
70100700	TRAFFIC CONTROL AND PROTECTION, STANDARD 701406	L SUM	1	0.5	0.5
70107025	CHANGEABLE MESSAGE SIGN	CAL DA	10	5	5
70300100	SHORT-TERM PAVEMENT MARKING	FOOT	14416	6777	7639
70300150	SHORT TERM PAVEMENT MARKING REMOVAL	SQ FT	4806	2259	2547
* 78001110	PAINT PAVEMENT MARKING - LINE 4"	FOOT	317516	151064	166452
* 78001130	PAINT PAVEMENT MARKING - LINE 6"	FOOT	40042	18828	21214
* 78001140	PAINT PAVEMENT MARKING - LINE 8"	FOOT	23996	11560	12436
* 78100100	RAISED REFLECTIVE PAVEMENT MARKER	EACH	1318	642	676
78300200	RAISED REFLECTIVE PAVEMENT MARKER REMOVAL	EACH	1318	642	676

*= SPECIALTY ITEM

* MCDONOUGH/WARREN

MODEL: Default
FILE: \\nrcs-pub\pub\arcom\dat\illinois\pov\PIIIDOT\Documents\DOT_Offices\District_4\Projects\IDA_68F16\CADD\Drawings\CAD\Drawings\68F16_SHEET_5E

USER NAME = bourisba	DESIGNED -	REVISED -
	DRAWN -	REVISED -
PLOT SCALE = 100.0000 ' / in.	CHECKED -	REVISED -
PLOT DATE = 1/31/2020	DATE -	REVISED -

**STATE OF ILLINOIS
DEPARTMENT OF TRANSPORTATION**

SUMMARY OF QUANTITIES

SCALE: SHEET OF SHEETS STA. TO STA.

F.A.P. RTE.	SECTION	COUNTY	TOTAL SHEETS	SHEET NO.
310	(36,37-2)RS-3	*	11	3
CONTRACT NO. 68F16			ILLINOIS FED. AID PROJECT	

MICRO-SURFACING, SINGLE PASS			
LOCATION	LENGTH	WIDTH	AREA
	FT	FT	SQ YD
US 67 (MCDONOUGH COUNTY)			
NBL			
STA. 402+45 TO STA. 530+40	12,795	25	35,542
BRIDGE OMISSION			
STA. 531+72 TO STA. 592+00	6,028	25	16,744
SBL			
STA. 402+45 TO STA. 530+40	12,795	25	35,542
BRIDGE OMISSION			
STA. 531+72 TO STA. 592+00	6,028	25	16,744
SUBTOTAL MCDONOUGH COUNTY			104,572
US 67 (WARREN COUNTY)			
NBL			
STA. 592+00 TO 737+04	14,504	25	40,289
BRIDGE OMISSION			
STA. 738+54 TO 805+64	6,710	25	18,639
SBL			
STA. 592+00 TO 737+04	14,504	25	40,289
BRIDGE OMISSION			
STA. 738+54 TO 805+64	6,710	25	18,639
SUBTOTAL WARREN COUNTY			117,856
TOTAL ALL COUNTIES			222,428

POLYMERIZED BITUMINOUS MATERIALS (TACK COAT)			
LOCATION	LENGTH	WIDTH	POUNDS
	FT	FT	LBS
US 67 (MCDONOUGH COUNTY)			
NBL			
STA. 402+45 TO STA. 530+40	12,795	25	7,997
BRIDGE OMISSION			
STA. 531+72 TO STA. 592+00	6,028	25	3,768
SBL			
STA. 402+45 TO STA. 530+40	12,795	25	7,997
BRIDGE OMISSION			
STA. 531+72 TO STA. 592+00	6,028	25	3,768
SUBTOTAL MCDONOUGH COUNTY			23,530
US 67 (WARREN COUNTY)			
NBL			
STA. 592+00 TO 737+04	14,504	25	9,065
BRIDGE OMISSION			
STA. 738+54 TO 805+64	6,710	25	4,194
SBL			
STA. 592+00 TO 737+04	14,504	25	9,065
BRIDGE OMISSION			
STA. 738+54 TO 805+64	6,710	25	4,194
SUBTOTAL WARREN COUNTY			26,518
TOTAL ALL COUNTIES			50,048

PAVEMENT MARKING REMOVAL -WATER BLASTING	
LOCATION	SQ FT.
US 67 (MCDONOUGH COUNTY)	
NBL & SBL	
STA. 402+45 TO STA. 592+00	34,783
US 67 (WARREN COUNTY)	
NBL & SBL	
STA. 592+00 TO 805+64	38,189
TOTAL ALL COUNTIES	
72,972	

PAVEMENT MARKING SCHEDULE			
LOCATION	EDGE LINE 4"	CENTER LINE 6"	TURN LANES & ISLANDS BORDER 8"
	FOOT	FOOT	FOOT
US 67 (MCDONOUGH COUNTY)			
NBL & SBL			
STA. 402+45 TO STA. 592+00	75,532	9,414	5,780
US 67 (WARREN COUNTY)			
NBL & SBL			
STA. 592+00 TO 805+64	83,226	10,607	6,218
TOTAL ALL COUNTIES**	317,516	40,042	23,996
** 2 APPLICATIONS.			

MODEL: Default
 FILE: \\mtrc-pub\pub\arcom\dat\links\gov\PIWDOT\Documents\DOT_Offices\Illinet\4\Projects\IDA_68F16\CADD\Drawings\Drawings\68F16_SHEET.SET

USER NAME = bourisba	DESIGNED -	REVISED -
	DRAWN -	REVISED -
PLOT SCALE = 100.0000' / in.	CHECKED -	REVISED -
PLOT DATE = 1/31/2020	DATE -	REVISED -

STATE OF ILLINOIS
DEPARTMENT OF TRANSPORTATION

SCHEDULE OF QUANTITIES			
SCALE:	SHEET	OF	SHEETS

F.A.P. RTE.	SECTION	COUNTY	TOTAL SHEETS	SHEET NO.
310	(36,37-2)RS-3	*	11	5
			CONTRACT NO. 68F16	
		ILLINOIS FED. AID PROJECT		

* MCDONOUGH/WARREN

MOBILIZATION	
LOCATION	LSUM
US 67 (MCDONOUGH COUNTY)	0.5
US 67 (WARREN COUNTY)	0.5
TOTAL	1

BUMP REMOVAL	
LOCATION	EACH
US 67 (MCDONOUGH COUNTY)	10
US 67 (WARREN COUNTY)	15
TOTAL	25

FIBER-MODIFIED ASPHALT CRACK SEALING	
LOCATION	LENGTH FT
US 67 (MCDONOUGH COUNTY)	600
US 67 (WARREN COUNTY)	400
TOTAL	1000

TRAFFIC CONTROL AND PROTECTION STANDARD 701406	
LOCATION	LSUM
US 67 (MCDONOUGH COUNTY)	0.5
US 67 (WARREN COUNTY)	0.5
TOTAL	1

RAISED REFLECTIVE PAVEMENT MARKER REMOVAL	
LOCATION	EACH
US 67 (MCDONOUGH COUNTY)	
NBL & SBL	
STA. 402+45 TO STA 592+00	642
US 67 (WARREN COUNTY)	
NBL & SBL	
STA. 592+00 TO 805+64	676
TOTAL ALL COUNTIES	1,318

RAISED REFLECTIVE PAVEMENT MARKER	
LOCATION	EACH
US 67 (MCDONOUGH COUNTY)	
NBL & SBL	
STA. 402+45 TO STA 592+00	642
US 67 (WARREN COUNTY)	
NBL & SBL	
STA. 592+00 TO 805+64	676
TOTAL ALL COUNTIES	1,318

CHANGEABLE MESSAGE SIGN	
	CAL DAY
2 SIGNS @ 5 DAYS EACH	10
TOTAL	10

SHORT TERM PAVEMENT MARKING REMOVAL		
LOCATION	LENGTH FT	AREA SQ FT
US 67 (MCDONOUGH COUNTY)		
NBL & SBL		
STA. 402+45 TO STA 592+00	6,777	2,259
US 67 (WARREN COUNTY)		
NBL & SBL		
STA. 592+00 TO 805+64	7,639	2,547
TOTAL ALL COUNTIES	14,416	4,806

SHORT TERM PAVEMENT MARKING	
LOCATION	LENGTH FT
US 67 (MCDONOUGH COUNTY)	
NBL & SBL	
STA. 402+45 TO STA 592+00	6,777
US 67 (WARREN COUNTY)	
NBL & SBL	
STA. 592+00 TO 805+64	7,639
TOTAL ALL COUNTIES	14,416

MODEL: Default
 FILE: Model: Project: RWDOT\Documents\DOT_Offices\Director: a\Projects\ID4_68F16\CADD\Drawings\Sheet\68F16_SHEET.SET

* MCDONOUGH/WARREN

USER NAME = bourisba	DESIGNED -	REVISED -
	DRAWN -	REVISED -
PLOT SCALE = 100.0000' / in.	CHECKED -	REVISED -
PLOT DATE = 1/31/2020	DATE -	REVISED -

**STATE OF ILLINOIS
DEPARTMENT OF TRANSPORTATION**

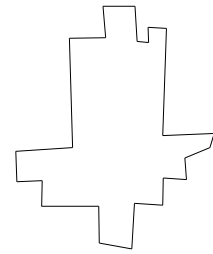
SCHEDULE OF QUANTITIES

SCALE: SHEET OF SHEETS STA. TO STA.

F.A.P. RTE.	SECTION	COUNTY	TOTAL SHEETS	SHEET NO.
310	(36,37-2)RS-3	*	11	6
			CONTRACT NO. 68F16	
		ILLINOIS	FED. AID PROJECT	



GOOD HOPE



US 67/L 110

N 2100th Rd.

N 2200th Rd.

N 2300th Rd.

McDonough Co.

Warren Co.

N 2400th Rd.

**PROJECT BEGINS
STA. 402 + 45**

**BRIDGE OMISSION
STA. 530 + 40 TO 531 + 72**

**MATCHLINE
STA. 592 + 00**

McDonough Co.

Warren Co.

N 2400th Rd.

US 67/L 110

10th Ave.

20th Ave.

30th Ave.

35th Ave.

40th Ave.

ROSEVILLE →

**MATCHLINE
STA. 592 + 00**

**BRIDGE OMISSION
STA. 737 + 04 TO 738 + 54**

**PROJECT ENDS
STA. 805 + 64**

MODEL: Default
FILE: \\mhc-pw\pub\haronom.dwg\Illinois.gov\PWDOT\Documents\DOT_Offices\Director_4\Projects\IDA_68F16\CADD\Drawings\CAD\Sheets\68F16_SHEET.SET

USER NAME = bourisba	DESIGNED -	REVISED -
	DRAWN -	REVISED -
PLOT SCALE = 100.0000' / in.	CHECKED -	REVISED -
PLOT DATE = 1/31/2020	DATE -	REVISED -

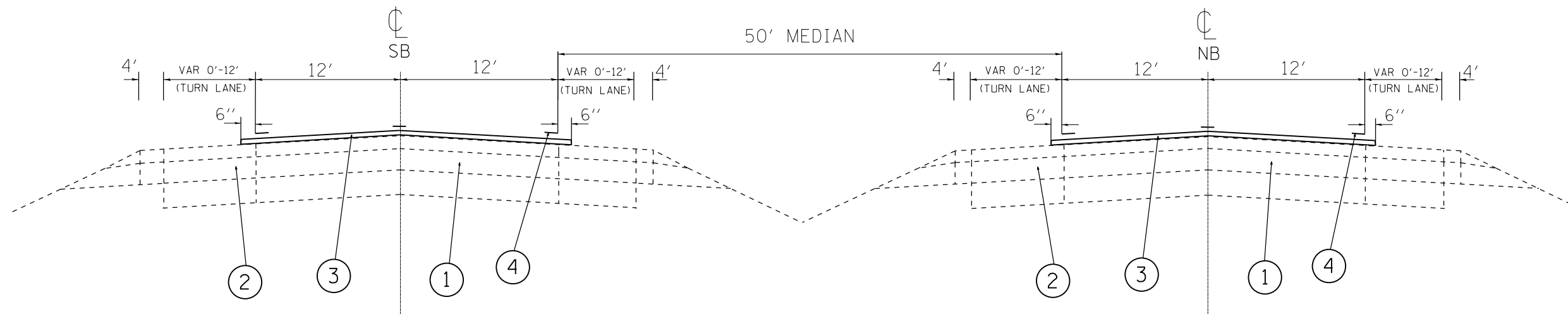
**STATE OF ILLINOIS
DEPARTMENT OF TRANSPORTATION**

LINE DIAGRAM

SCALE: SHEET OF SHEETS STA. TO STA.

F.A.P. RTE.	SECTION	COUNTY	TOTAL SHEETS	SHEET NO.
310	(36,37-2)RS-3	*	11	7
ILLINOIS FED. AID PROJECT			CONTRACT NO. 68F16	

* McDONOUGH/WARREN



WARREN COUNTY

STA. 664+13 10TH AVE.
 STA. 697+68 20TH AVE.
 STA. 750+12 30TH AVE.
 STA. 776+87 35TH AVE.
 STA. 803+96 40TH AVE.

MCDONOUGH COUNTY

SB	NB
LT. 592+60 TO 592+00	LT. 586+43 TO 590+24
RT. 592+60 TO 589+88	RT. 586+43 TO 592+00
LT. 585+15 TO 581+41	LT. 563+40 TO 567+43
LT. 573+35 TO 569+17	LT. 532+00 TO 535+26
LT. 560+20 TO 555+75	RT. 532+00 TO 538+35
LT. 542+59 TO 538+35	LT. 500+77 TO 504+51
RT. 542+59 TO 536+21	LT. 478+35 TO 482+58
LT. 511+25 TO 506+83	RT. 478+35 TO 484+75
LT. 488+60 TO 484+56	LT. 451+69 TO 455+83
RT. 488+60 TO 482+35	LT. 436+81 TO 441+11
LT. 461+80 TO 457+83	LT. 425+92 TO 429+08
LT. 447+00 TO 443+00	RT. 425+92 TO 431+47
LT. 435+00 TO 431+02	LT. 411+50 TO 415+50
RT. 434+58 TO 428+83	
LT. 421+50 TO 417+40	

LEGEND

- ① EXISTING PAVEMENT & OVERLAYS
- ② EXISTING HMA SHOULDER
- ③ PROPOSED MICROSURFACING
- ④ PROPOSED PAVEMENT MARKING

NOT DRAWN TO SCALE

* MCDONOUGH/WARREN

MODEL: Default
 FILE: \\mcdonough.com\data\illinois\pww\DOT\Documents\DOT_Offices\Illinois\Projects\68F16_SHEET.SET

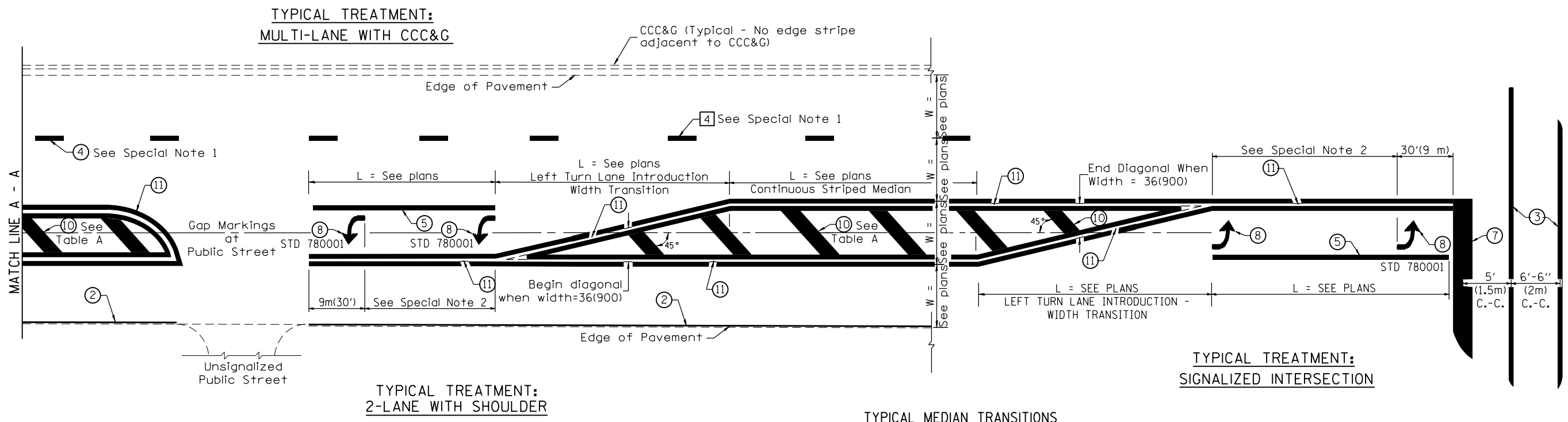
USER NAME = bourisba	DESIGNED -	REVISED -
	DRAWN -	REVISED -
PLOT SCALE = 100.0000' / in.	CHECKED -	REVISED -
PLOT DATE = 1/31/2020	DATE -	REVISED -

STATE OF ILLINOIS
 DEPARTMENT OF TRANSPORTATION

TYPICAL SECTIONS

SCALE: SHEET OF SHEETS STA. TO STA.

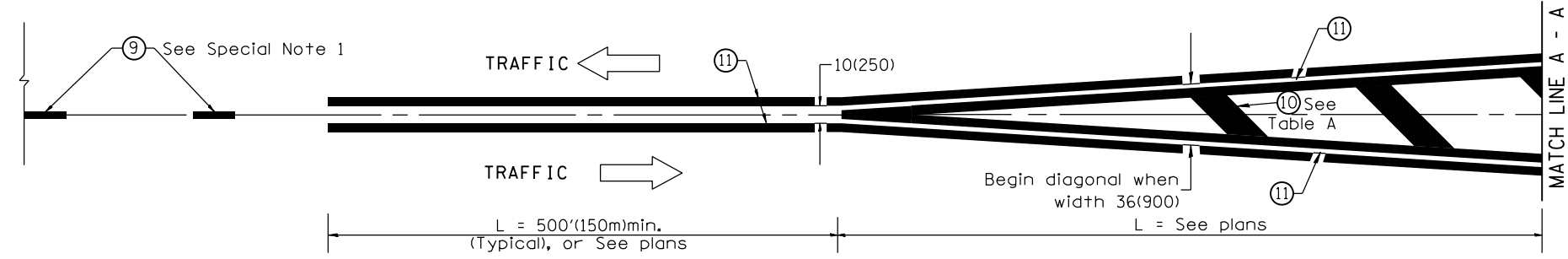
F.A.P. RTE.	SECTION	COUNTY	TOTAL SHEETS	SHEET NO.
310	(36,37-2)RS-3	*	11	9
CONTRACT NO. 68F16			ILLINOIS FED. AID PROJECT	



FLUSH PAVED MEDIAN: RESTRICTED LEFT TURN LANE

TABLE A
RECOMMENDED SPACING BETWEEN DIAGONAL LINES

SPEED LIMIT RANGE	INTERSECTION CHANNELIZATION (Includes Width Transitions for Median and Left Turn Lane Introductions)	
	CONTINUOUS	
Less Than 30 mph (50 km/h)	50' (15m)	15' (5m)
30 - 45 mph (50 - 70 km/h)	75' (23m)	20' (6m)
Over 45 mph (70 km/h)	150' (46m)	30' (9m)



All dimensions are in inches (millimeters) unless otherwise noted.

* McDONOUGH/WARREN

MODEL: Default
FILE: Model_C:\pub\baronm.d\at\illinois.gov\PIWDOT\Documents\DOT_Offices\Director_4\Projects\ID4_68F16\CADD\Drawings\CAD\Sheets\68F16_SHEET.SET

USER NAME = bourisba	DESIGNED -	REVISED -
	DRAWN -	REVISED -
PLOT SCALE = 100.0000' / in.	CHECKED -	REVISED -
PLOT DATE = 1/31/2020	DATE -	REVISED -

STATE OF ILLINOIS
DEPARTMENT OF TRANSPORTATION

TYPICAL PAVEMENT MARKINGS	
SCALE: NO SCALE	SHEET OF SHEETS STA. TO STA.

F.A.P. RTE. 310	SECTION (36,37-2)RS-3	COUNTY *	TOTAL SHEETS 11	SHEET NO. 11
SHT. 2 OF 2 CADD STD. 780001-D4			CONTRACT NO. 68F16	
ILLINOIS		FED. AID PROJECT		