

STATE OF ILLINOIS  
DEPARTMENT OF TRANSPORTATION

F.A. #	SECTION	COUNTY	TOTAL SHEETS	SHEET NO.
9251	29RS-3, 1ZRS-4	ST. CLAIR	13	1
ILLINOIS			CONTRACT NO. 76L23	
FAU 9251 / FAS 1848 / FAU 9377				

D-98-031-18



FOR INDEX OF SHEETS, SEE SHEET NO. 2

PROPOSED  
HIGHWAY PLANS

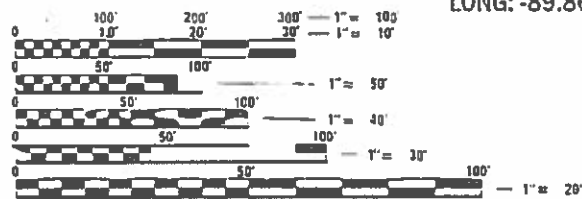
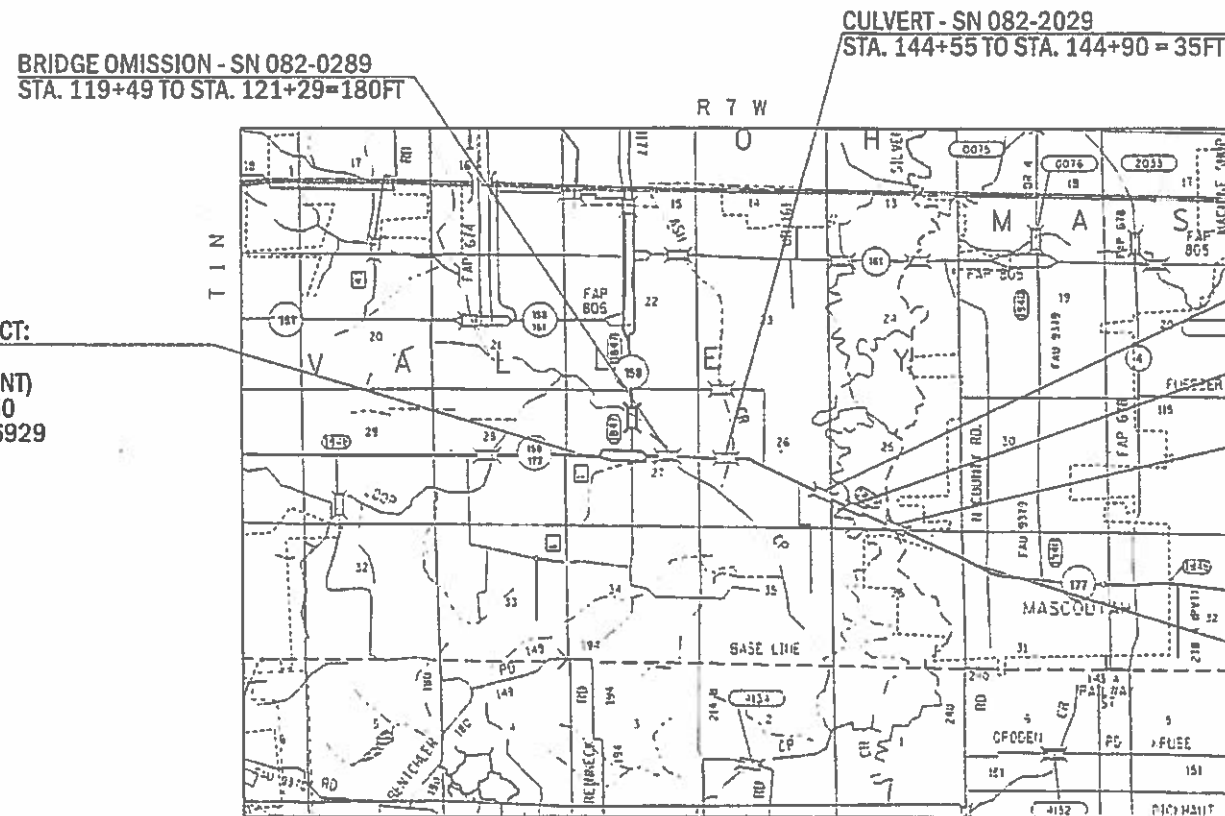
FAU 9251/FAS 1848/FAU 9377 ROUTE(IL 158/IL 177)  
SECTION 29RS-3, 1ZRS-4  
PROJECT STP-SXC3(566)  
RESURFACING - STANDARD OVERLAY  
ST. CLAIR COUNTY

C-98-171-18

TRAFFIC DATA

LOCATION	STA 89+85 TO IL 158/IL 177
2019 ADT	6700 (ACTUAL)
2039 ADT	8500 (ESTIMATED)
MU%	2.2
SU%	7.6

LOCATION	IL 177 TO STA 244+70
2019 ADT	7200 (ACTUAL)
2039 ADT	8700 (ESTIMATED)
MU%	3.1
SU%	10.9



FULL SIZE PLANS HAVE BEEN PREPARED USING STANDARD ENGINEERING SCALES. REDUCED SIZED PLANS WILL NOT CONFORM TO STANDARD SCALES. IN MAKING MEASUREMENTS ON REDUCED PLANS, THE ABOVE SCALES MAY BE USED.

J.U.L.I.E.  
JOINT UTILITY LOCATION INFORMATION FOR EXCAVATION  
1-800-892-0123  
OR 811

PROJECT ENGINEER: TIM PADGETT (618) 346-3325  
PROJECT MANAGER: RAHSHUN MILLER (618) 346-3196

CONTRACT NO. 76L23



GROSS LENGTH = 15,485 FT. = 2.93 MILE  
NET LENGTH = 14,727 FT. = 2.78 MILE

STATE OF ILLINOIS  
DEPARTMENT OF TRANSPORTATION

SUBMITTED *Jan 21 2020*  
*Kath. Roberts*  
REGIONAL ENGINEER

*Mark 20 20*  
ENGINEER OF DESIGN AND ENVIRONMENT

*James J. Quinn*  
DIRECTOR OF HIGHWAYS PROJECT IMPLEMENTATION

PRINTED BY THE AUTHORITY  
OF THE STATE OF ILLINOIS



CODE NO.	ITEM	UNIT	TOTAL QUANTITY	URBAN	
				CONSTR. CODE	
				80% FED 20% STATE	
				ROADWAY 0005 URBAN	
40600290	BITUMINOUS MATERIALS (TACK COAT)	POUND	31488	31488	
40600982	HOT-MIX ASPHALT SURFACE REMOVAL - BUTT JOINT	SQ YD	216	216	
40600990	TEMPORARY RAMP	SQ YD	410	410	
40602970	HOT-MIX ASPHALT BINDER COURSE, 1L-9.5FG, N70	TON	3008	3008	
40604062	HOT-MIX ASPHALT SURFACE COURSE, 1L-9.5, MIX "D", N70	TON	3609	3609	
44000160	HOT-MIX ASPHALT SURFACE REMOVAL, 2 3/4"	SQ YD	52994	52994	
44200180	PAVEMENT PATCHING, TYPE II, 15 INCH	SQ YD	392	392	
44200184	PAVEMENT PATCHING, TYPE III, 15 INCH	SQ YD	105	105	
44200186	PAVEMENT PATCHING, TYPE IV, 15 INCH	SQ YD	27	27	
48102100	AGGREGATE WEDGE SHOULDER, TYPE B	TON	731	731	
48203100	HOT-MIX ASPHALT SHOULDERS	TON	1544	1544	
67000400	ENGINEER'S FIELD OFFICE, TYPE A	CAL MO	3	3	
67100100	MOBILIZATION	L SUM	1	1	
70100450	TRAFFIC CONTROL AND PROTECTION, STANDARD 701201	L SUM	1	1	

CODE NO.	ITEM	UNIT	TOTAL QUANTITY	URBAN	
				CONSTR. CODE	
				80% FED 20% STATE	
				ROADWAY 0005 URBAN	
70100460	TRAFFIC CONTROL AND PROTECTION, STANDARD 701306	L SUM	1	1	
70100600	TRAFFIC CONTROL AND PROTECTION, STANDARD 701336	L SUM	1	1	
70102620	TRAFFIC CONTROL AND PROTECTION, STANDARD 701501	L SUM	1	1	
70300100	SHORT TERM PAVEMENT MARKING	FOOT	4016	4016	
70300150	SHORT TERM PAVEMENT MARKING REMOVAL	SQ FT	1339	1339	
70300210	TEMPORARY PAVEMENT MARKING LETTERS AND SYMBOLS	SQ FT	63	63	
70300220	TEMPORARY PAVEMENT MARKING - LINE 4"	FOOT	43909	43909	
70300260	TEMPORARY PAVEMENT MARKING - LINE 12"	FOOT	841	841	
* 78000100	THERMOPLASTIC PAVEMENT MARKING - LETTERS AND SYMBOLS	SQ FT	63	63	
* 78000200	THERMOPLASTIC PAVEMENT MARKING - LINE 4"	FOOT	43909	43909	
* 78000600	THERMOPLASTIC PAVEMENT MARKING - LINE 12"	FOOT	841	841	
* 78100100	RAISED REFLECTIVE PAVEMENT MARKER	EACH	274	274	
78300200	RAISED REFLECTIVE PAVEMENT MARKER REMOVAL	EACH	274	274	
X7030005	TEMPORARY PAVEMENT MARKING REMOVAL	SQ FT	15603	15603	

\* SPECIALTY ITEM

\* FAU 9251/FAS 1848/FAU 9377

MODEL: Default  
FILE: \\nrcs-pkgs\pub\rooms\dat\illinois\gov\pww\DOT\Documents\DOT\_Offices\Bartlett\_B\Projects\087623\CADD\Drawings\087623-ph-500.dgn

USER NAME = millerraj	DESIGNED -	REVISED -
	DRAWN -	REVISED -
PLOT SCALE = 100.0000' / in.	CHECKED -	REVISED -
PLOT DATE = 1/23/2020	DATE -	REVISED -

**STATE OF ILLINOIS  
DEPARTMENT OF TRANSPORTATION**

**SUMMARY OF QUANTITIES**

SCALE: NTS SHEET 1 OF 2 SHEETS STA. TO STA.

F.A.* RTE.	SECTION	COUNTY	TOTAL SHEETS	SHEET NO.
*	29RS-3, 1ZRS-4	ST. CLAIR	13	3
CONTRACT NO. 76L23			ILLINOIS FED. AID PROJECT	

MODEL: Default  
 FILE: \\nlsr1c1-pix\plannerroom\data\illinois.gov\PIWIDOT\Documents\IDOT\_Offices\District 8\Projects\0876L23\CADDData\CAD\Sheets\0876L23-ph-500.dgn

CODE NO.	ITEM	UNIT	TOTAL QUANTITY	CONSTR. CODE	
				80% FED 20% STATE	ROADWAY
			URBAN	0005	URBAN
Z0033700	LONGITUDINAL JOINT SEALANT	FOOT	14727		14727
∅ Z0076600	TRAINEES	HOUR	500		500
Z0034105	MATERIAL TRANSFER DEVICE	TON	6617		6617
∅ Z0076604	TRAINEES TRAINING PROGRAM GRADUATE	HOUR	500		500
Z0070100	SURVEY MONUMENT COVER ASSEMBLY	EACH	2		2

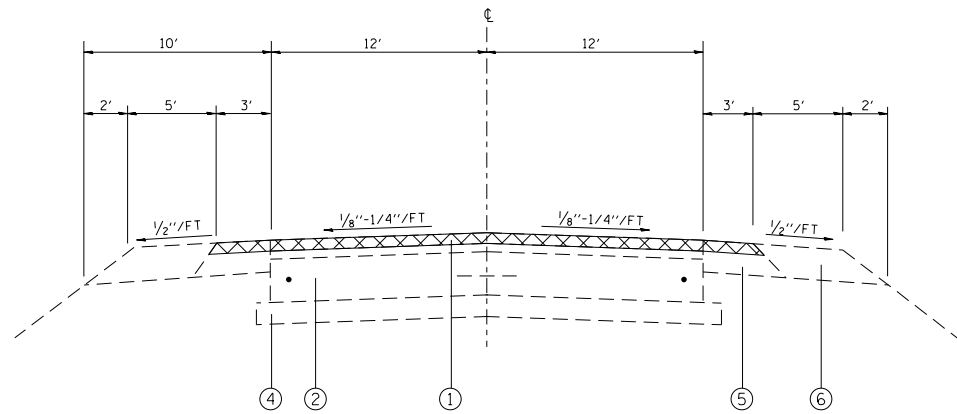
∅ 0042

REV. - MS

\* FAU 9251/FAS 1848/FAU 9377

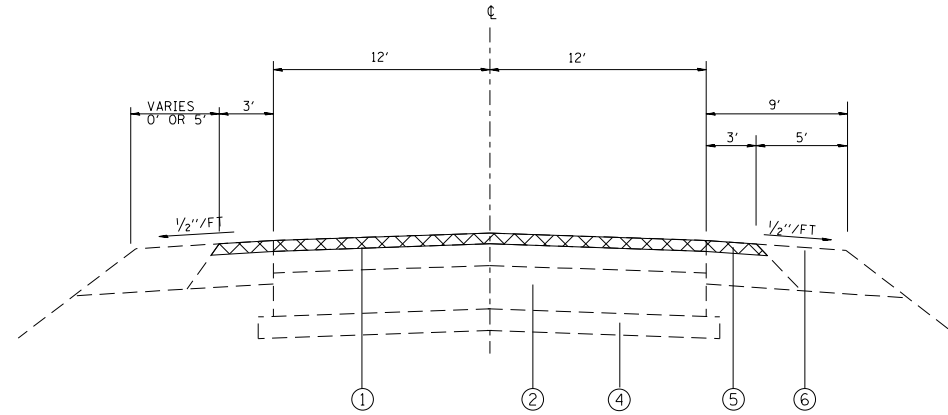
USER NAME = millerraj	DESIGNED -	REVISED -	<b>STATE OF ILLINOIS DEPARTMENT OF TRANSPORTATION</b>	<b>SUMMARY OF QUANTITIES</b>				F.A.* RTE.	SECTION	COUNTY	TOTAL SHEETS	SHEET NO.
DRAWN -	REVISIED -	*						29RS-3, 1ZRS-4	ST. CLAIR	13	4	
PLOT SCALE = 100.0000 ' / in.	CHECKED -	REVISIED -		CONTRACT NO. 76L23								
PLOT DATE = 1/23/2020	DATE -	REVISIED -		SCALE: NTS	SHEET 2	OF 2	SHEETS	STA.	TO STA.	ILLINOIS FED. AID PROJECT		





**EXISTING TYPICAL SECTION**

STA. 114+00 TO STA. 118+20.4  
 STA. 122+40.4 TO STA. 144+05.1  
 STA. 173+74 TO STA. 188+79.3  
 STA. 191+61 TO STA. 194+96  
 STA. 194+96 TO 196+64 (BRIDGE OMISSION)  
 STA. 196+64 TO STA. 212+83  
 STA. 212+83 TO STA. 215+51 (BRIDGE OMISSION)  
 STA. 215+51 TO STA. 244+70

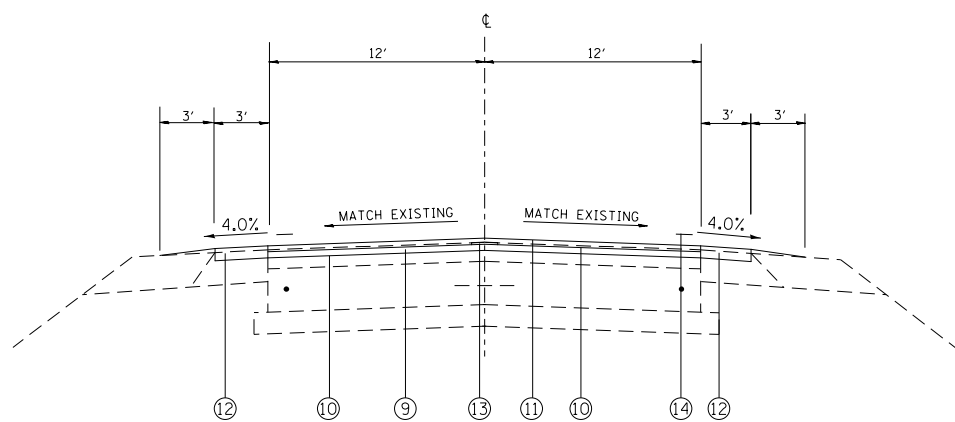


**EXISTING TYPICAL SECTION**

STA. 118+20.4 TO STA. 119+49  
 STA. 119+49 TO STA. 121+29 (BRIDGE OMISSION)  
 STA. 121+29 TO STA. 122+40.4

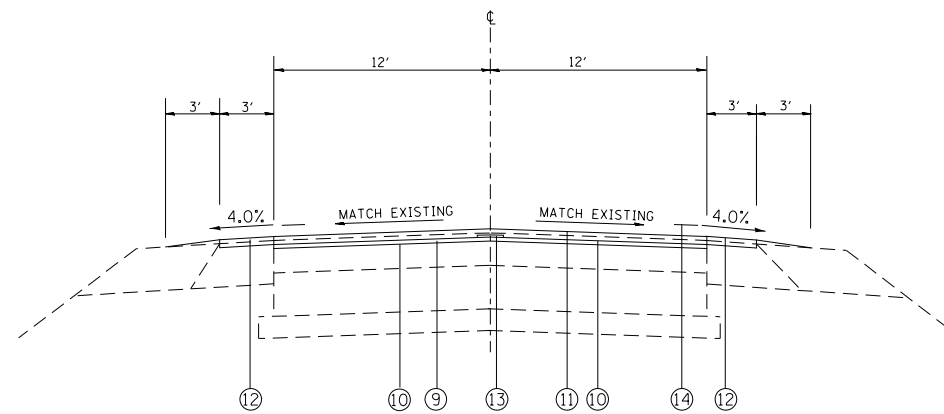
**LEGEND**

- ① EXISTING RESURFACING, 2"
- ② EXISTING PCC PAVEMENT, 9"
- ③ EXISTING PCC BASE COURSE, 8"
- ④ EXISTING GRANULAR SUB-BASE, 4"
- ⑤ EXISTING BITUMINOUS SHOULDER
- ⑥ EXISTING AGGREGATE SHOULDER
- ⑦ EXISTING BITUMINOUS BINDER COURSE
- ⑧ EXISTING BITUMINOUS BASE COURSE
- ⑨ PROPOSED HOT-MIX ASPHALT BINDER COURSE, IL-9.5FG, N70, 1 1/4"
- ⑩ PROPOSED BITUMINOUS MATERIAL (TACK COAT)
- ⑪ PROPOSED HOT-MIX ASPHALT SURFACE COURSE, IL-9.5, MIX "D", N70, 1 1/2"
- ⑫ PROPOSED HOT-MIX ASPHALT SHOULDER 2 3/4"
- ⑬ PROPOSED LONGITUDINAL JOINT SEALANT
- ⑭ PROPOSED PAVEMENT MARKING



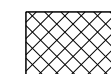
**PROPOSED TYPICAL SECTION**

STA. 114+00 TO STA. 118+20.4  
 STA. 122+40.4 TO STA. 144+05.1  
 STA. 173+74 TO STA. 188+79.3  
 STA. 191+61 TO STA. 194+96  
 STA. 194+96 TO 196+64 (BRIDGE OMISSION)  
 STA. 196+64 TO STA. 212+83  
 STA. 212+83 TO STA. 215+51 (BRIDGE OMISSION)  
 STA. 215+51 TO STA. 244+70



**PROPOSED TYPICAL SECTION**

STA. 118+20.4 TO STA. 119+49  
 STA. 119+49 TO STA. 121+29 (BRIDGE OMISSION)  
 STA. 121+29 TO STA. 122+40.4



**HMA SURFACE REMOVAL 2 3/4"**

MODEL: Default  
 FILE: \\hmc-pc\pub\hmcroom\dat\illinois.gov\PIWDOT\Documents\DOT\_Offices\Illin\ct @Projects\0876123\CADD\Drawings\CAD\Sheets\0876123-2-11-17-2020.dwg

• FAU 9251/FAS 1848/FAU 9377

USER NAME = millerraj	DESIGNED -	REVISED -
	DRAWN -	REVISED -
PLOT SCALE = 100.0000 ' / in.	CHECKED -	REVISED -
PLOT DATE = 1/17/2020	DATE -	REVISED -

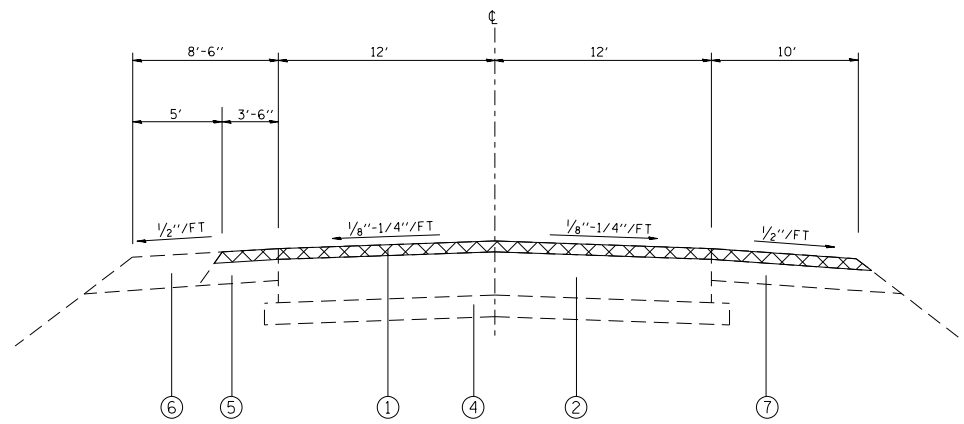
**STATE OF ILLINOIS  
 DEPARTMENT OF TRANSPORTATION**

**TYPICAL SECTIONS**

SCALE: NTS SHEET 2 OF 4 SHEETS STA. TO STA.

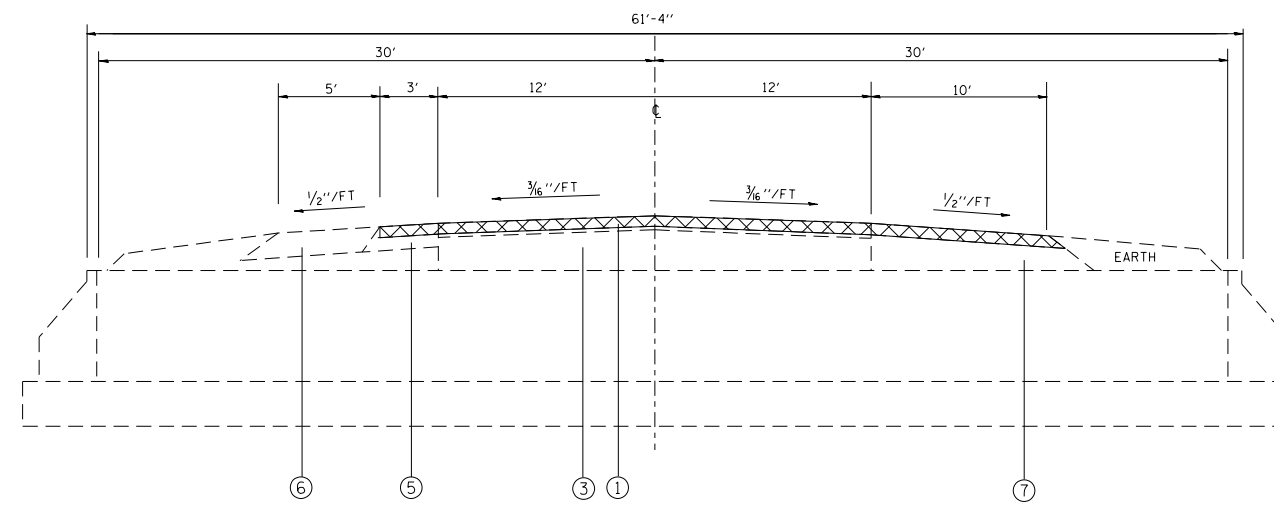
F.A.* RTE.	SECTION	COUNTY	TOTAL SHEETS	SHEET NO.
*	29RS-3, 1ZRS-4	ST. CLAIR	13	6
CONTRACT NO. 76L23				
ILLINOIS		FED. AID PROJECT		

MODEL: Default  
 FILE: \\nrcr-pix\pub\room.d\at\illinois.gov\PI\DOT\Documents\DOT\_Offices\District 8\Projects\087623\CADD\Drawings\087623-2-18-Typical.dgn



**EXISTING TYPICAL SECTION**

STA. 142+85 TO STA. 144+59  
 STA. 144+94 TO STA. 145+22.1

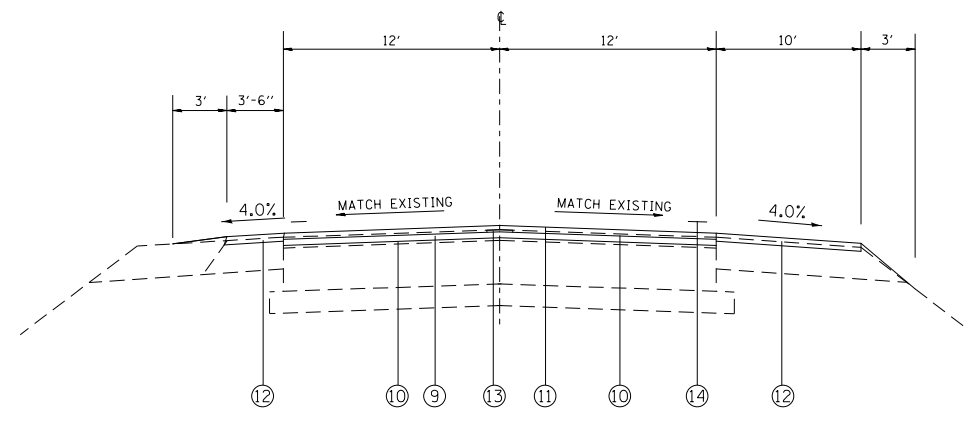


**EXISTING TYPICAL SECTION**

STA. 144+59 TO STA. 144+94  
 (OVER TRIPLE BOX CULVERT)

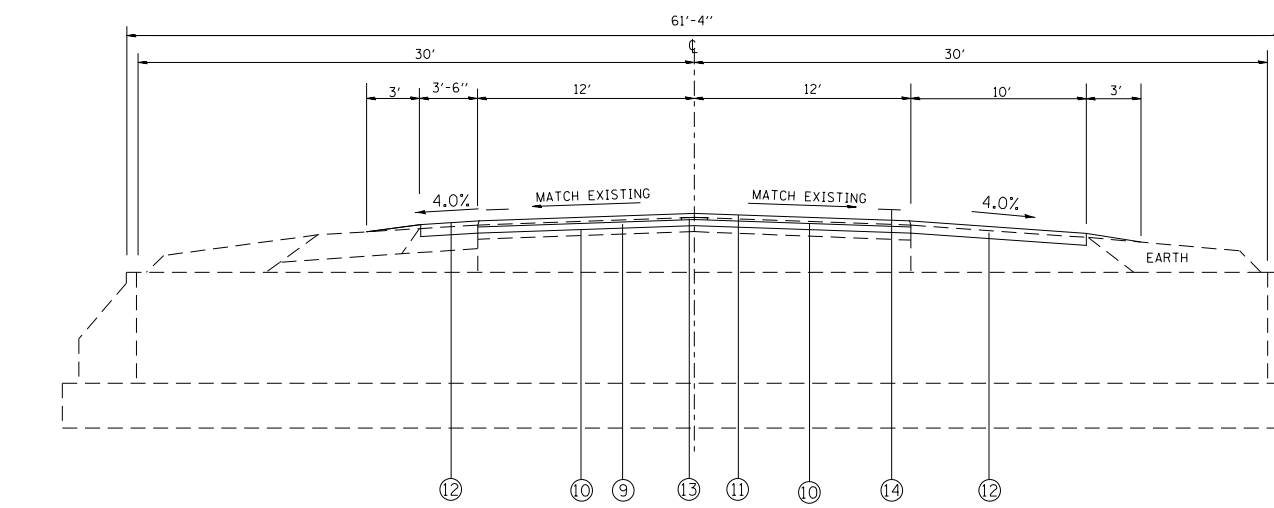
**LEGEND**

- ① EXISTING RESURFACING, 2"
- ② EXISTING PCC PAVEMENT, 9"
- ③ EXISTING PCC BASE COURSE, 8"
- ④ EXISTING GRANULAR SUB-BASE, 4"
- ⑤ EXISTING BITUMINOUS SHOULDER
- ⑥ EXISTING AGGREGATE SHOULDER
- ⑦ EXISTING BITUMINOUS BINDER COURSE
- ⑧ EXISTING BITUMINOUS BASE COURSE
- ⑨ PROPOSED HOT-MIX ASPHALT BINDER COURSE, IL-9.5FG, N70, 1 1/4"
- ⑩ PROPOSED BITUMINOUS MATERIAL (TACK COAT)
- ⑪ PROPOSED HOT-MIX ASPHALT SURFACE COURSE, IL-9.5, MIX "D", N70, 1 1/2"
- ⑫ PROPOSED HOT-MIX ASPHALT SHOULDER 2 3/4"
- ⑬ PROPOSED LONGITUDINAL JOINT SEALANT
- ⑭ PROPOSED PAVEMENT MARKING



**PROPOSED TYPICAL SECTION**

STA. 142+85 TO STA. 144+59  
 STA. 144+94 TO STA. 145+22.1



**PROPOSED TYPICAL SECTION**

STA. 144+59 TO STA. 144+94  
 (OVER TRIPLE BOX CULVERT)

**HMA SURFACE REMOVAL 2 3/4"**

\* FAU 9251/FAS 1848/FAU 9377

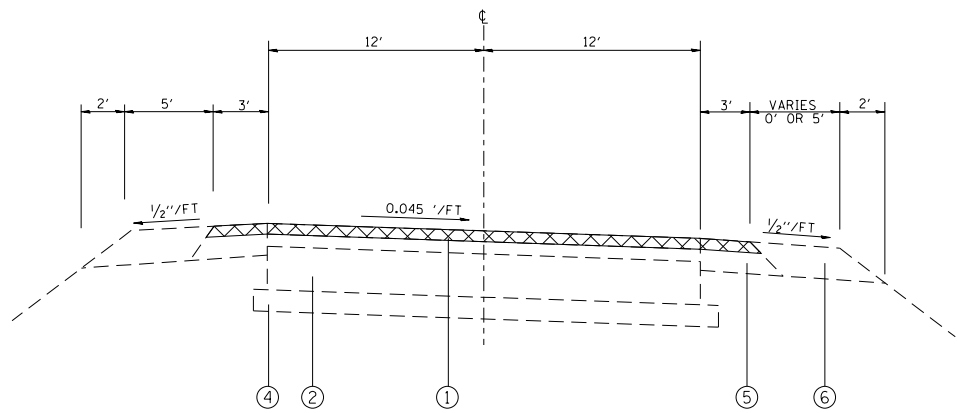
USER NAME = millerraj	DESIGNED -	REVISED -
	DRAWN -	REVISED -
PLOT SCALE = 100.0000' / in.	CHECKED -	REVISED -
PLOT DATE = 1/17/2020	DATE -	REVISED -

**STATE OF ILLINOIS  
 DEPARTMENT OF TRANSPORTATION**

**TYPICAL SECTIONS**

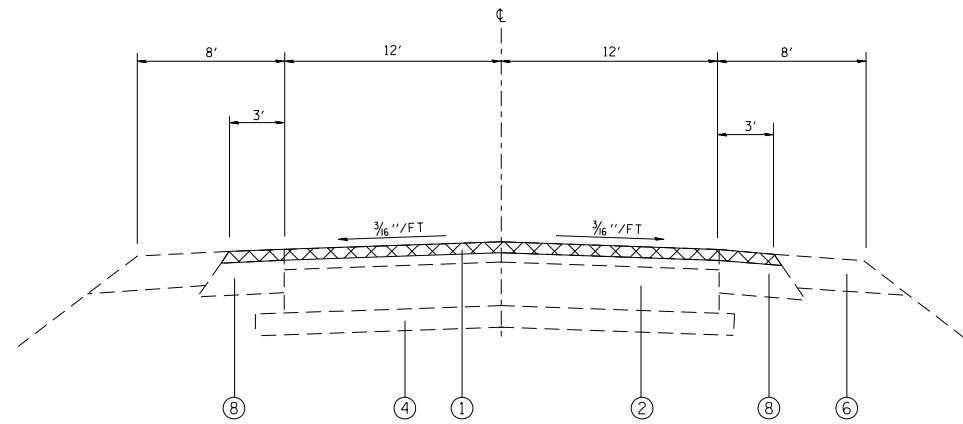
SCALE: NTS SHEET 3 OF 4 SHEETS STA. TO STA.

F.A.* RTE.	SECTION	COUNTY	TOTAL SHEETS	SHEET NO.
*	29RS-3, 1ZRS-4	ST. CLAIR	13	7
CONTRACT NO. 76L23				
ILLINOIS FED. AID PROJECT				



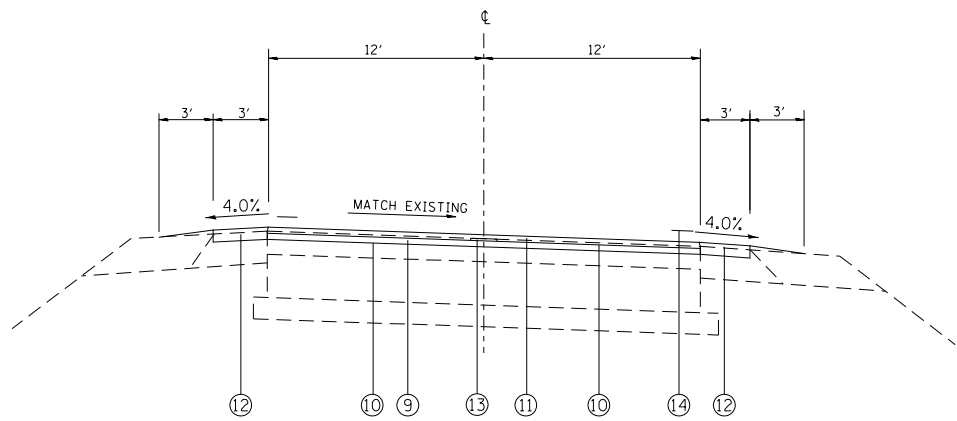
**EXISTING TYPICAL SECTION  
SUPERELEVATED**

STA. 146+67 TO STA. 153+66



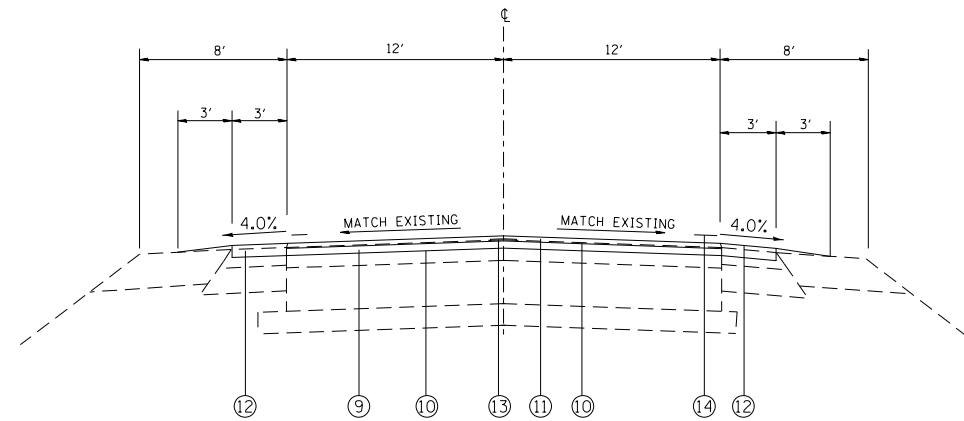
**EXISTING TYPICAL SECTION**

STA. 188+79 TO STA. 189+49  
 STA. 189+49 TO STA. 190+91 (BRIDGE OMISSION)  
 STA. 190+91 TO STA. 191+61



**PROPOSED TYPICAL SECTION  
SUPERELEVATED**

STA. 145+22.1 TO STA. 153+66.9



**PROPOSED TYPICAL SECTION**

STA. 188+79 TO STA. 189+49  
 STA. 189+49 TO STA. 190+91 (BRIDGE OMISSION)  
 STA. 190+91 TO STA. 191+61

**LEGEND**

- ① EXISTING RESURFACING, 2"
- ② EXISTING PCC PAVEMENT, 9"
- ③ EXISTING PCC BASE COURSE, 8"
- ④ EXISTING GRANULAR SUB-BASE, 4"
- ⑤ EXISTING BITUMINOUS SHOULDER
- ⑥ EXISTING AGGREGATE SHOULDER
- ⑦ EXISTING BITUMINOUS BINDER COURSE
- ⑧ EXISTING BITUMINOUS BASE COURSE
- ⑨ PROPOSED HOT-MIX ASPHALT BINDER COURSE, IL-9.5FG, N70, 1 1/4"
- ⑩ PROPOSED BITUMINOUS MATERIAL (TACK COAT)
- ⑪ PROPOSED HOT-MIX ASPHALT SURFACE COURSE, IL-9.5, MIX "D", N70, 1 1/2"
- ⑫ PROPOSED HOT-MIX ASPHALT SHOULDER 2 3/4"
- ⑬ PROPOSED LONGITUDINAL JOINT SEALANT
- ⑭ PROPOSED PAVEMENT MARKING

**HMA SURFACE REMOVAL 2 3/4"**

MODEL: Default  
 FILE: \\nrcs-pix\uplanroom\dat\illinois.gov\PIWDOT\Documents\DOT\_Offices\District 8\Projects\087623\CADD\Drawings\087623-23-11-11-11-11.dgn

USER NAME = millerraj	DESIGNED -	REVISED -
	DRAWN -	REVISED -
PLOT SCALE = 100.0000' / in.	CHECKED -	REVISED -
PLOT DATE = 1/17/2020	DATE -	REVISED -

**STATE OF ILLINOIS  
DEPARTMENT OF TRANSPORTATION**

**TYPICAL SECTIONS**

SCALE: NTS SHEET 4 OF 4 SHEETS STA. TO STA.

F.A.* RTE.	SECTION	COUNTY	TOTAL SHEETS	SHEET NO.
*	29RS-3, 1ZRS-4	ST. CLAIR	13	8
CONTRACT NO. 76L23				
ILLINOIS		FED. AID PROJECT		

• FAU 9251/FAS 1848/FAU 9377





PAVEMENT MARKING SCHEDULE													
STATION			LENGTH	SIDEROAD/ ENTRANCE	THERMOPLASTIC PAVEMENT MARKING & TEMPORARY PAVEMENT MARKING					TEMPORARY PAVEMENT MARKING REMOVAL	SHORT TERM PAVEMENT MARKING (3 LIFTS)	SHORT TERM PAVEMENT MARKING REMOVAL	
					4" YELLOW	4" WHITE	4" YELLOW	4" WHITE	12" YELLOW				LETTERS & SYMBOLS
STA.	TO	STA.	FOOT	FOOT	SKIP DASH FOOT	SKIP DASH FOOT	SOLID FOOT	SOLID FOOT	SOLID FOOT	SQ FT	SQ FT	FOOT	SQ FT
<b>IL 158 / IL 177</b>													
89+85	TO	91+00	115		29		115	230			125	31	10
91+00	TO	92+36	136				272	272			181	37	12
92+36	TO	95+00	264				1056	528	25		553	72	24
95+00	TO	99+00	400				1601	800	224		1024	109	36
99+00	TO	100+50	150				600	300	135		435	41	14
100+50	TO	103+20	270				68	1081	540	145	708	74	25
103+20	TO	104+20	100					420	300	32	303	27	9
104+20	TO	105+32	112	142					82		27	31	10
105+32	TO	106+32	100					420	300	32	303	27	9
106+32	TO	109+02	270				68	1080	540	123	686	74	25
109+02	TO	113+34	432					1729	864	125	989	118	39
113+34	TO	114+00	66					132	132		88	18	6
114+00	TO	119+49	549		137			549	1098		595	150	50
119+49	TO	121+29	180										
BRIDGE OMISSION													
121+29	TO	143+03	2174		544			4348			1631	593	198
143+03	TO	151+71	868		217			868	1736		940	237	79
151+71	TO	153+43	172		43			344	344		244	47	16
153+43	TO	159+60	617	100	154			617	1134		635	168	56
159+60	TO	189+49	2989	100	747				5878		2208	815	272
189+49	TO	190+91	142										
BRIDGE OMISSION													
190+91	TO	194+96	405		101			810			304	110	37
194+96	TO	196+64	168										
BRIDGE OMISSION													
196+64	TO	212+83	1619		405			3238			1214	442	147
212+83	TO	215+51	268										
BRIDGE OMISSION													
215+51	TO	244+70	2919	60	730			530	5778		2346	796	265
	TO												
<b>SUBTOTAL</b>					<b>3107</b>	<b>135</b>	<b>11415</b>	<b>29252</b>	<b>841</b>	<b>63</b>	<b>15603</b>	<b>4016</b>	<b>1339</b>
<b>TOTAL</b>					<b>43909</b>			<b>841</b>	<b>63</b>	<b>15603</b>	<b>4016</b>	<b>1339</b>	

SHOULDER SCHEDULE						
LOCATION			HMA SURFACE REMOVAL, 2 3/4"	HMA SHOULDER (2 3/4")	BITUMINOUS MATERIAL (TACK COAT)	AGGREGATE WEDGE SHOULDER, TYPE B
STA.	TO	STA.	SQ YD	TON	POUND	TON
<b>IL 158</b>						
89+85	TO	91+00	76.67	11.81	51.75	5.59
91+00	TO	103+96	864.00	133.06	388.80	63.00
103+96	TO	104+32	24.00	3.70	5.40	1.75
104+32	TO	105+03	INTERSECTION OF IL 158/IL 177			
105+03	TO	105+39	24.00	3.70	5.40	1.75
105+39	TO	115+87	698.67	107.59	157.20	50.94
115+87	TO	118+08	147.33	22.69	33.15	10.74
118+08	TO	118+68	40.00	6.16	9.00	2.92
118+68	TO	119+19	34.00	5.24	7.65	2.48
119+19	TO	119+29	6.67	1.03	1.50	0.49
119+29	TO	121+69	BRIDGE OMISSION			
121+69	TO	121+79	6.67	1.03	1.50	0.49
121+79	TO	125+23	229.33	35.32	51.60	16.72
125+23	TO	142+85	1174.67	180.90	264.30	85.65
142+85	TO	146+67	551.78	84.97	124.15	40.23
146+67	TO	189+62	2863.33	440.95	644.25	208.77
189+62	TO	191+04.	BRIDGE OMISSION			
191+04	TO	195+09	270.00	41.58	60.75	19.69
195+09	TO	196+77	BRIDGE OMISSION			
196+77	TO	212+96.5	1079.67	166.27	242.93	78.72
212+96.5	TO	215+64.5	BRIDGE OMISSION			
215+64.5	TO	225+65	667.00	102.72	150.08	48.63
225+65	TO	235+65	666.67	102.67	150.00	48.61
235+65	TO	244+70	603.33	92.91	135.75	43.99
<b>SUB TOTAL:</b>			<b>10027.78</b>		<b>2485.15</b>	
<b>QUANTITIES FROM MAINLINE SCHEDULE</b>			<b>42966.60</b>		<b>29002.46</b>	
<b>TOTAL:</b>			<b>52994</b>	<b>1544</b>	<b>31488</b>	<b>731</b>

MODEL: Default  
 FILE: \\nashville.pict.com\roomdata\illinois.gov\PWIDOT\Documents\DOT\_Offices\Director @ Projects\087623\CADDData\CAD\Sheet\087623-Ph-Sched.dgn

\* FAU 9251/FAS 1848/FAU 9377

USER NAME = millerraj	DESIGNED -	REVISED -
	DRAWN -	REVISED -
PLOT SCALE = 100.0000' / in.	CHECKED -	REVISED -
PLOT DATE = 1/17/2020	DATE -	REVISED -

**STATE OF ILLINOIS  
DEPARTMENT OF TRANSPORTATION**

**SCHEDULE OF QUANTITIES**

SCALE: NTS      SHEET 2 OF 3 SHEETS      STA.      TO STA.

F.A.* RTE.	SECTION	COUNTY	TOTAL SHEETS	SHEET NO.
*	29RS-3, 1ZRS-4	ST. CLAIR	13	10
CONTRACT NO. 76L23				
ILLINOIS FED. AID PROJECT				

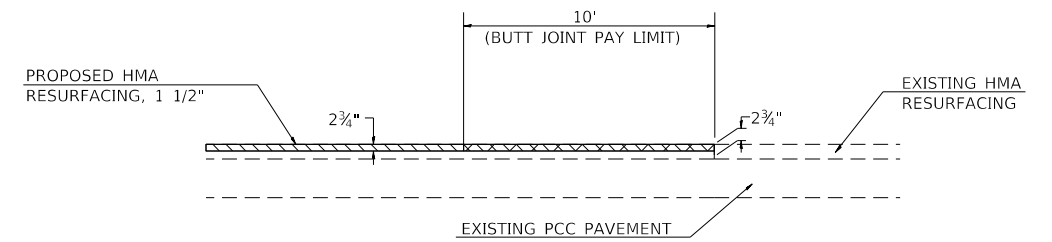
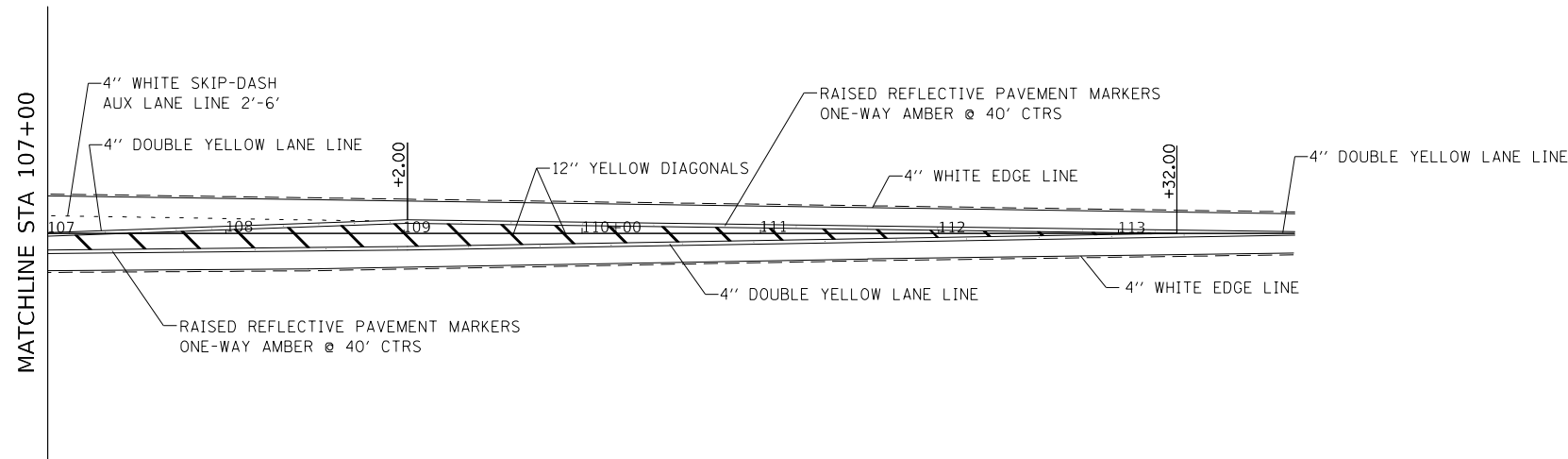
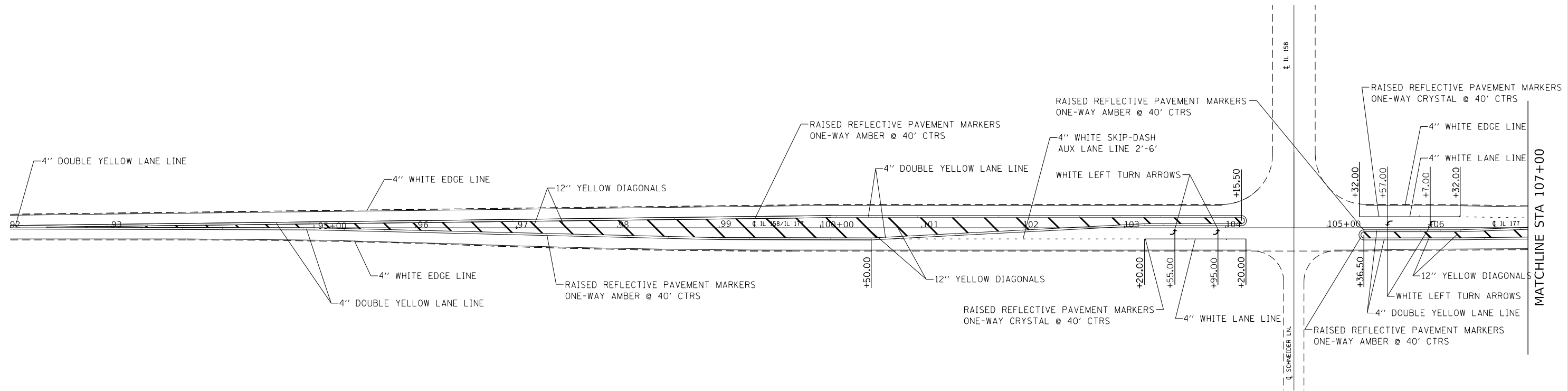
RAISED REFLECTIVE PAVEMENT MARKERS								
LOCATION			LENGTH FOOT	RAISED REFLECTIVE PAVEMENT MARKER REMOVAL EACH	RAISED REFLECTIVE PAVEMENT MARKER	RAISED REFLECTIVE PAVEMENT MARKER	RAISED REFLECTIVE PAVEMENT MARKER	
STATION	TO	STATION			ONE-WAY AMBER	ONE-WAY CRYSTAL	TWO-WAY AMBER	
IL 158 / IL 177								
89+85	TO	92+00	215	3			3.0	
92+00	TO	103+20	1120	56	56.0			
103+20	TO	104+20	100	8	5.0	3.0		
104+20	TO	105+32	112	8	8.0			
105+32	TO	106+32	100	6	3.0	3.0		
106+32	TO	113+50	718	38	38.0			
113+50	TO	119+49	599	8			8	
119+49	TO	121+29	180	BRIDGE OMISSION				
121+29	TO	189+49	6820	85			85	
189+49	TO	190+91	142	BRIDGE OMISSION				
190+91	TO	194+96	405	5			5	
194+96	TO	196+64	168	BRIDGE OMISSION				
196+64	TO	212+83	1619	20			20	
212+83	TO	215+51	268	BRIDGE OMISSION				
215+51	TO	244+70	2919	36			36	
<b>SUB-TOTALS:</b>				274	110	6	158	
<b>TOTAL</b>				<b>274</b>	<b>274</b>			

MAINLINE PAVEMENT SCHEDULE								
LOCATION			HMA SURFACE REMOVAL, 2 3/4"	HMA BINDER COURSE, IL-9.5FG, N70	BITUMINOUS MATERIAL (TACK COAT)	HOT-MIX ASPHALT SURFACE COURSE, IL-9.5, MIX "D", N70	LONGITUDINAL JOINT SEALANT	
STA.	TO	STA.	SQ YD	TON	POUND	TON	FOOT	
IL 158 / IL 177			MAINLINE					
89+85	TO	91+00	306.7	21.5	207.0	25.8	115.0	
91+00	TO	95+00	1200.0	84.0	810.0	100.8	400.0	
95+00	TO	96+43	524.3	36.7	353.9	44.0	143.0	
96+43	TO	99+00	1142.2	80.0	771.0	95.9	257.0	
99+00	TO	100+50	750.0	52.5	506.3	63.0	150.0	
100+50	TO	104+00	1788.9	125.2	1207.5	150.3	350.0	
104+00	TO	104+32	190.2	13.3	128.4	16.0	32.0	
104+32	TO	105+03	481.2	33.7	324.8	40.4	71.0	
105+03	TO	105+38	210.0	14.7	141.8	17.6	35.0	
105+38	TO	106+32	480.4	33.6	324.3	40.4	94.0	
106+32	TO	109+02	1290.0	90.3	870.8	108.4	270.0	
109+02	TO	114+00	1770.6	123.9	1195.2	148.7	498.0	
114+00	TO	119+19	1384.0	96.9	934.2	116.3	519.0	
119+19	TO	119+49	80.0	5.6	54.0	6.7	30.0	
119+49	TO	121+29	BRIDGE OMISSION					
121+29	TO	121+79	133.3	9.3	90.0	11.2	50.0	
121+79	TO	189+49	18053.3	1263.7	12186.0	1516.5	6770.0	
189+49	TO	190+91	BRIDGE OMISSION					
190+91	TO	194+96	1080.0	75.6	729.0	90.7	405.0	
194+96	TO	196+64	BRIDGE OMISSION					
196+64	TO	212+83	4317.3	302.2	2914.2	362.7	1619.0	
212+83	TO	215+51	BRIDGE OMISSION					
215+51	TO	244+70	7784.0	544.9	5254.2	653.9	2919.0	
<b>SUB TOTAL:</b>			42966.6		29002.5			
<b>QUANTITIES FROM SHOULDER SCHEDULE</b>			10027.78		2485.2			
<b>TOTAL</b>			<b>52994</b>	<b>3008</b>	<b>31488</b>	<b>3609</b>	<b>14727</b>	

MODEL: Default  
 FILE: \\nashville.pict.com\roomdata\illinois.gov\PWIDOT\Documents\DOT\_Offices\Director\Projects\087623\p18-sched.dgn

\* FAU 9251/FAS 1848/FAU 9377

USER NAME = millerraj	DESIGNED -	REVISED -	<b>STATE OF ILLINOIS DEPARTMENT OF TRANSPORTATION</b>	<b>SCHEDULE OF QUANTITIES</b>		F.A.* RTE.	SECTION	COUNTY	TOTAL SHEETS	SHEET NO.
PLOT SCALE = 100.0000' / in.	DRAWN -	REVISED -				*	29RS-3, 1ZRS-4	ST. CLAIR	13	11
PLOT DATE = 1/21/2020	CHECKED -	REVISED -				CONTRACT NO. 76L23				
	DATE -	REVISED -				SCALE: NTS	SHEET 3 OF 3 SHEETS	STA. TO STA.	ILLINOIS FED. AID PROJECT	



**BUTT JOINT DETAIL**  
NOT TO SCALE

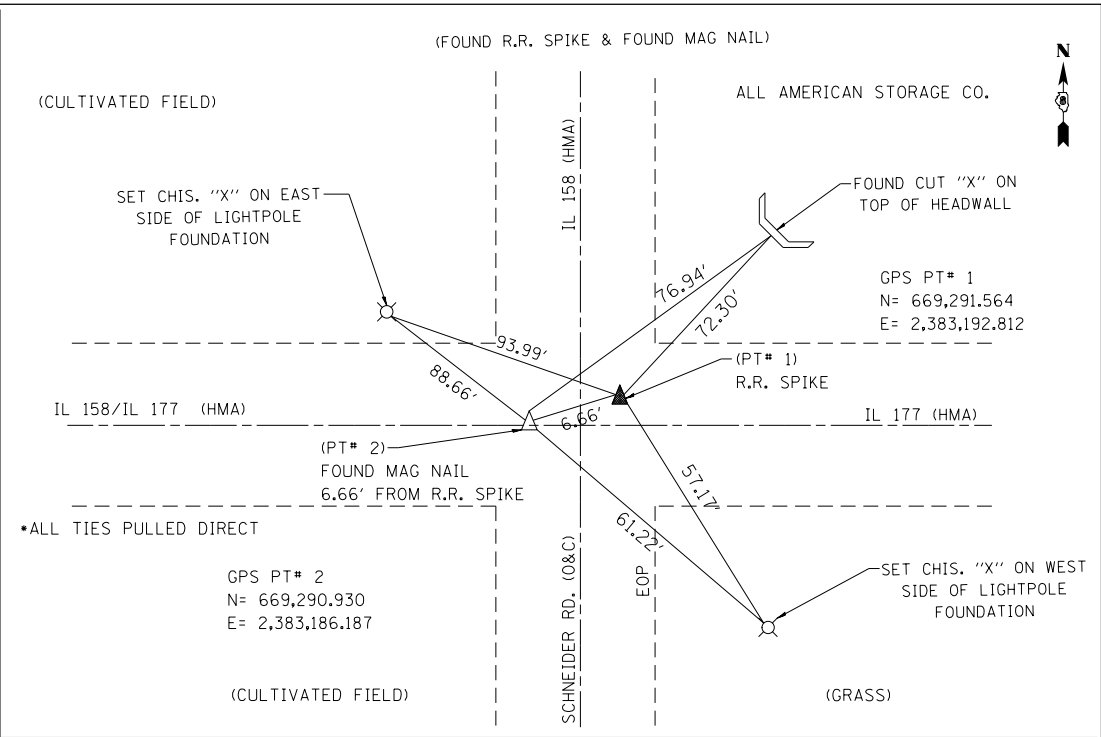
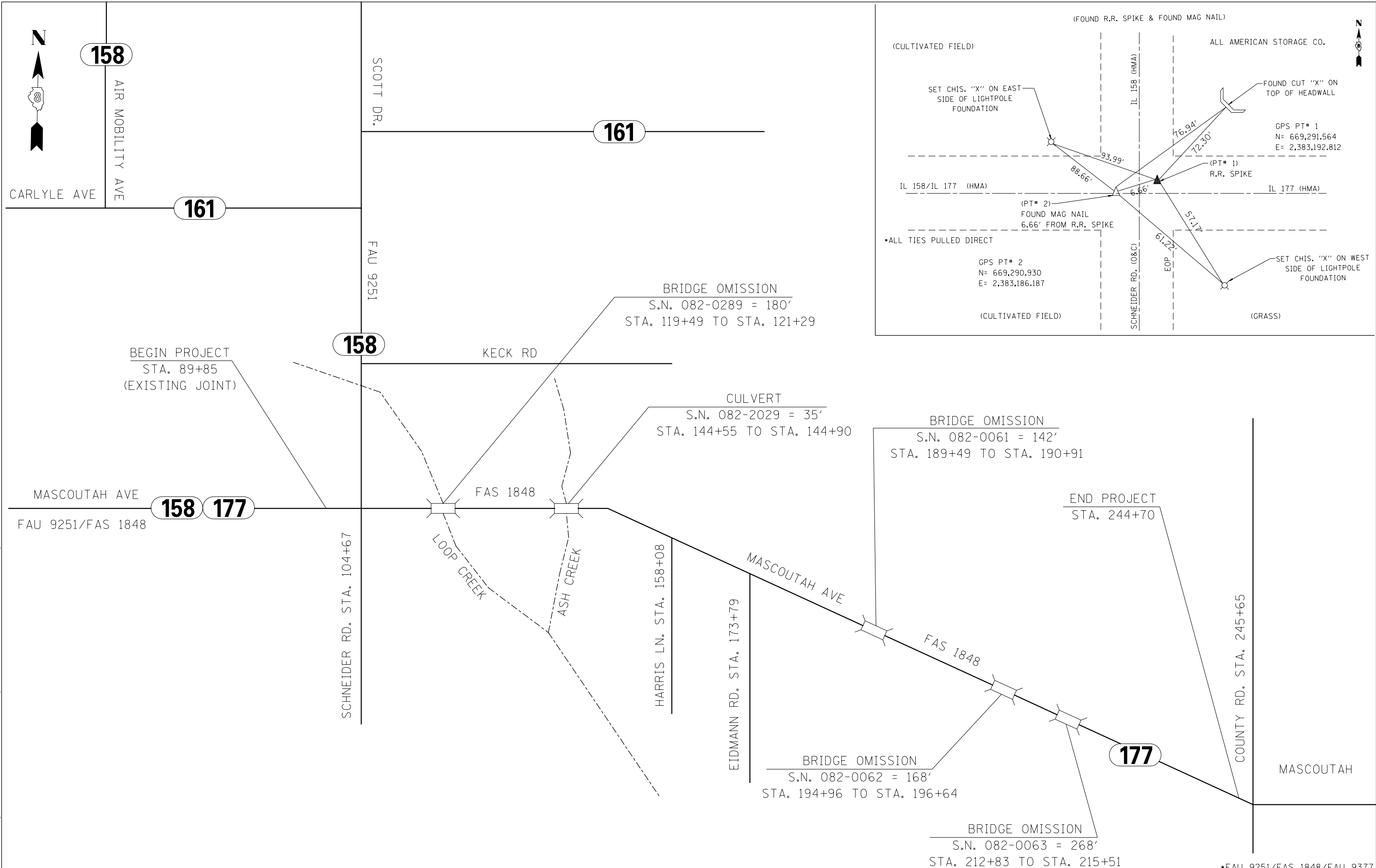
MODEL: Default  
 FILE: \\nrc-pix\pub\room\dat\illinois.gov\PI\DOT\Documents\DOT - Offices\District 8\Projects\087623\CADD\Drawings\DOT - Offices\District 8\Projects\087623\p1c-drawings.dgn

USER NAME = millerraj	DESIGNED -	REVISED -
	DRAWN -	REVISED -
PLOT SCALE = 100.0000' / in.	CHECKED -	REVISED -
PLOT DATE = 1/17/2020	DATE -	REVISED -

**STATE OF ILLINOIS  
DEPARTMENT OF TRANSPORTATION**

<b>IL 158 INTERSECTION &amp; BUTT JOINT DETAIL</b>			
SCALE: 50	SHEET 1	OF 1 SHEETS	STA. 92+00 TO STA. 113+50

*FAU 9251/FAS 1848/FAU 9377				
F.A. RTE.	SECTION	COUNTY	TOTAL SHEETS	SHEET NO.
*	29RS-3,1ZRS-4	ST. CLAIR	13	13
CONTRACT NO. 76L23				
ILLINOIS FED. AID PROJECT				



MODEL: Default  
 FILE: \\nrcs-pic\pub\room\dat\illinois.gov\PI\DOT\Documents\DOT\_Offices\District 8\Projects\0876L23\CADD\Drawings\CAD\Sheets\0876L23-1-1-1.dwg

USER NAME = millerraj	DESIGNED -	REVISED -
	DRAWN -	REVISED -
PLOT SCALE = 100,0000' / in.	CHECKED -	REVISED -
PLOT DATE = 1/17/2020	DATE -	REVISED -

**STATE OF ILLINOIS  
DEPARTMENT OF TRANSPORTATION**

**LOCATION MAP**

SCALE: NTS    SHEET 1 OF 1 SHEETS    STA.    TO STA.

F.A.* RTE.	SECTION	COUNTY	TOTAL SHEETS	SHEET NO.
*	29RS-3, 1ZRS-4	ST. CLAIR	13	12
CONTRACT NO. 76L23			ILLINOIS FED. AID PROJECT	

\*FAU 9251/FAS 1848/FAU 9377