

136

STATE OF ILLINOIS
DEPARTMENT OF TRANSPORTATION

F.A.P. RTE	SECTION	COUNTY	TOTAL SHEETS	SHEET NO.
DDOT	SIGN SHOP LOT 2020-1	EDGAR	13	1
		ILLINOIS	CONTRACT NO. 70E28	

FOR INDEX OF SHEETS, SEE SHEET NO. 2
FOR SUMMARY OF QUANTITIES, SEE SHEETS NO. 3 & 4

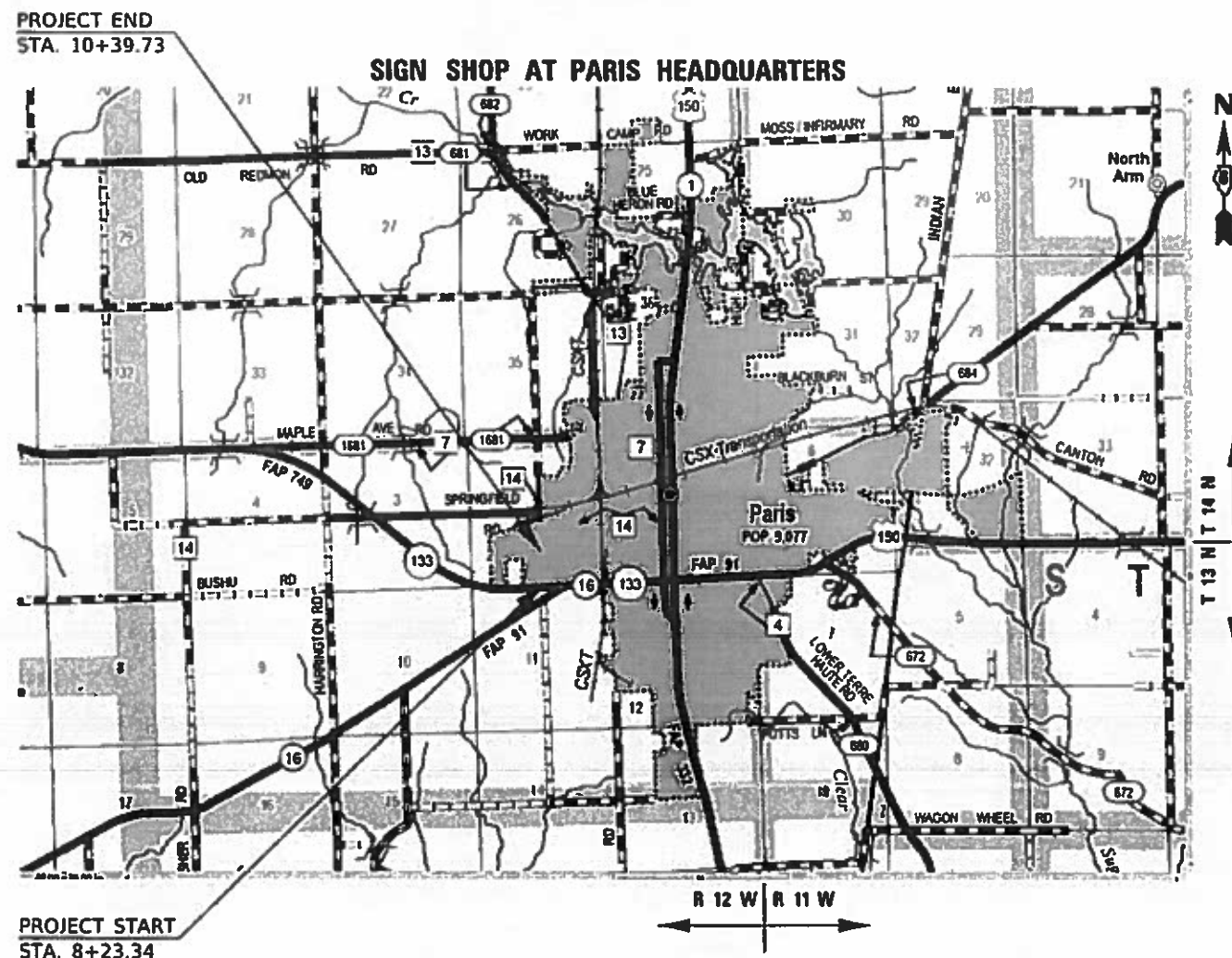
PROPOSED HIGHWAY PLANS

ROUTE: SIGN SHOP PARKING LOT
SECTION: SIGN SHOP LOT 2020-1
PROJECT: PARKING LOT IMPROVEMENTS
EDGAR COUNTY

D-95-003-20



C-95-009-20



FULL SIZE PLANS HAVE BEEN PREPARED USING STANDARD ENGINEERING SCALES. REDUCED SIZED PLANS WILL NOT CONFORM TO STANDARD SCALES. IN MAKING MEASUREMENTS ON REDUCED PLANS, THE ABOVE SCALES MAY BE USED.

J.U.L.I.E.
JOINT UTILITY LOCATION INFORMATION FOR EXCAVATORS
1-800-892-0123
OR 811
PARIS TOWNSHIP

PROJECT ENGINEER: JASON W. STULTS
PROJECT MANAGER: DAVID F. JAYME
DESIGNER: JASON C. HELANDER
PHONE NUMBER: (217)-465-4181

CONTRACT NO. 70E28

STATE OF ILLINOIS
DEPARTMENT OF TRANSPORTATION

SUBMITTED 01/17/2020
Kenil A. Barnett REGIONAL ENGINEER
Mark W. Zep ENGINEER OF DESIGN AND ENVIRONMENT
Ormal Orr DIRECTOR OF HIGHWAYS PROJECT IMPLEMENTATION

PRINTED BY THE AUTHORITY
OF THE STATE OF ILLINOIS

INDEX OF SHEETS

SHEET NO.	DESCRIPTION
1	COVER SHEET
2	INDEX OF SHEETS
2	LIST OF ILLINOIS DOT HIGHWAY STANDARDS
2	GENERAL NOTES
3-4	SUMMARY OF QUANTITIES
5-6	TYPICAL SECTIONS
7-8	SCHEDULE OF QUANTITIES
9-10	PLAN SHEETS
11	ENVIROMENTAL SHEET
12	JOINT DETAIL SHEET
13	EXISTING FLOW PLAN SHEET

LIST OF HIGHWAY STANDARDS

STANDARD NO.	DESCRIPTION
000001 - 07	STANDARD SYMBOLS, ABBREVIATIONS AND PATTERNS
001001 - 02	AREAS OF REINFORCEMENT BARS
001006	DECIMAL OF AN INCH AND OF A FOOT
420001-09	PAVEMENT JOINTS
420101-06	24' (7.2 m) JOINTED PCC PAVEMENT
420701-03	PAVEMENT WELDED WIRE REINFORCEMENT
701901-08	TRAFFIC CONTROL DEVICES

GENERAL NOTES

G.N.-100A
ELECTRONIC FILES AND/OR ELECTRONIC SURVEY INFORMATION INCLUDING CADD FILES WILL NOT BE AVAILABLE TO THE CONTRACTOR.

GN 105.07C
EXISTING STATE-OWNED AND MAINTAINED UNDERGROUND UTILITY FACILITIES EXIST WITHIN THE ROW. THE DEPARTMENT IS NOT A MEMBER OF JULIE AND DOES NOT LOCATE IT'S OWN FACILITIES. THE CONTRACTOR SHALL BE RESPONSIBLE AT THEIR OWN EXPENSE FOR SECURING AN APPROVED LOCATING FIRM TO LOCATE ALL EXISTING IDOT UNDERGROUND FACILITIES PRIOR TO COMMENCING ANY EXCAVATION, PER THE REQUIREMENTS OF ARTICLE 803 OF THE STANDARD SPECIFICATIONS. UTILITY LOCATES MAY ALSO BE REQUIRED OUTSIDE THE PROJECT LIMITS, SUCH AS FOR TRAFFIC CONTROL SIGNING AND OTHER ITEMS. THE CONTRACTOR MAY OBTAIN, ON REQUEST, PLANS OF EXISTING ELECTRICAL FACILITIES FROM THE DEPARTMENT. FOR FURTHER INFORMATION, THE CONTRACTOR MAY CONTACT THE DISTRICT TRAFFIC OPERATIONS ENGINEER, GARY SIMS, AT 217-251-4859.

G.N.-105.09A
ALL ELEVATIONS SHOWN IN THE PLANS ARE BASED ON NORTH AMERICAN VERTICAL DATUM OF 1988. (NAVD 88)

G.N.-440B
THE EXISTING TIE BARS BETWEEN THE EXISTING PAVEMENT AND EXISTING MEDIANS, GUTTERS AND/OR COMBINATION CURB AND GUTTERS THAT ARE FOUND SUITABLE FOR REUSE SHALL BE CLEANED, STRAIGHTENED AND INCORPORATED INTO THE NEW CONSTRUCTION. ANY EXISTING TIE BARS THAT ARE FOUND UNSUITABLE TO BE INCORPORATED INTO THE PROPOSED CONSTRUCTION DUE TO EXCESSIVE RUSTING OR DISTRESS SHALL BE REMOVED FLUSH WITH THE FACE OF THE EXISTING CONCRETE AND DISPOSED OF OUTSIDE THE LIMITS OF THE RIGHT-OF-WAY IN ACCORDANCE WITH ARTICLE 202.03 OF THE STANDARD SPECIFICATIONS.

THIS WORK WILL NOT BE PAID FOR SEPARATELY BUT SHALL BE CONSIDERED INCLUDED IN THE VARIOUS REMOVAL PAY ITEMS AND NO ADDITIONAL COMPENSATION WILL BE ALLOWED.

NO COMMITMENTS.

STATE OF ILLINOIS
DEPARTMENT OF TRANSPORTATION

INDEX OF SHEETS, GEN NOTES &
LIST OF ILLINOIS DOT HIGHWAY STANDARDS

SCALE: N/A SHEET 1 OF 1 SHEETS STA. TO STA.

F.A.P. RTE.	SECTION	COUNTY	TOTAL SHEETS	SHEET NO.
IDOT	SIGN SHOP LOT 2020-1	EDGAR	13	2
			CONTRACT NO. 70E28	
		ILLINOIS	FED. AID PROJECT	

SUMMARY OF QUANTITIES

LOCATION OF WORK: I.D.O.T. BOULEVARD
SIGN SHOP PARKING LOT
STA 8+23.34 TO STA 10+39.73
EDGAR COUNTY

FUNDING BREAKOUT: STATE 100%
CONSTRUCTION TYPE CODE: 0044

CODE NO.	ITEM	UNIT	TOTAL QUANTITY
20200100	EARTH EXCAVATION	CU YD	450.0
35101600	AGGREGATE BASE COURSE, TYPE B 4"	SQ YD	3,170.0
35800100	PREPARATION OF BASE	SQ YD	115.0
42000060	WELDED WIRE REINFORCEMENT	SQ YD	3,170.0
42000401	PORTLAND CEMENT CONCRETE PAVEMENT 9" (JOINTED)	SQ YD	3,170.0
44000100	PAVEMENT REMOVAL	SQ YD	2,865.0
44000500	COMBINATION CURB AND GUTTER REMOVAL	FOOT	24.0
44201298	DOWEL BARS 1 1/4"	EACH	177.0
44213200	SAW CUTS	FOOT	285.0
44213204	TIE BARS 3/4"	EACH	36.0
* 66900200	NON-SPECIAL WASTE DISPOSAL	CU YD	75.0
* 66900530	SOIL DISPOSAL ANALYSIS	EACH	1.0
* 66901001	REGULATED SUBSTANCES PRE-CONSTRUCTION PLAN	L SUM	1.0
* 66901003	REGULATED SUBSTANCES FINAL CONSTRUCTION REPORT	L SUM	1.0
* DENOTES SPECIALTY ITEM			

MODEL: I:\MODEL\NAMES
 FILE: N:\names: p:\pub\mcomas\data\illinois\gov\p\w\idot\Documents\IDOT_Offices\IDOT\Office\IDOT\Office\IDOT\CAD\Projects\0570E28\csh-500.dgn

USER NAME = hodgsonra	DESIGNED - JCH	REVISED -
	DRAWN - JCH	REVISED -
PLOT SCALE = 40.0000 ' / in.	CHECKED -	REVISED -
PLOT DATE = 1/23/2020	DATE - 12/19/2019	REVISED -

**STATE OF ILLINOIS
DEPARTMENT OF TRANSPORTATION**

SUMMARY OF QUANTITIES

SCALE: N/A SHEET 1 OF 2 SHEETS STA. TO STA.

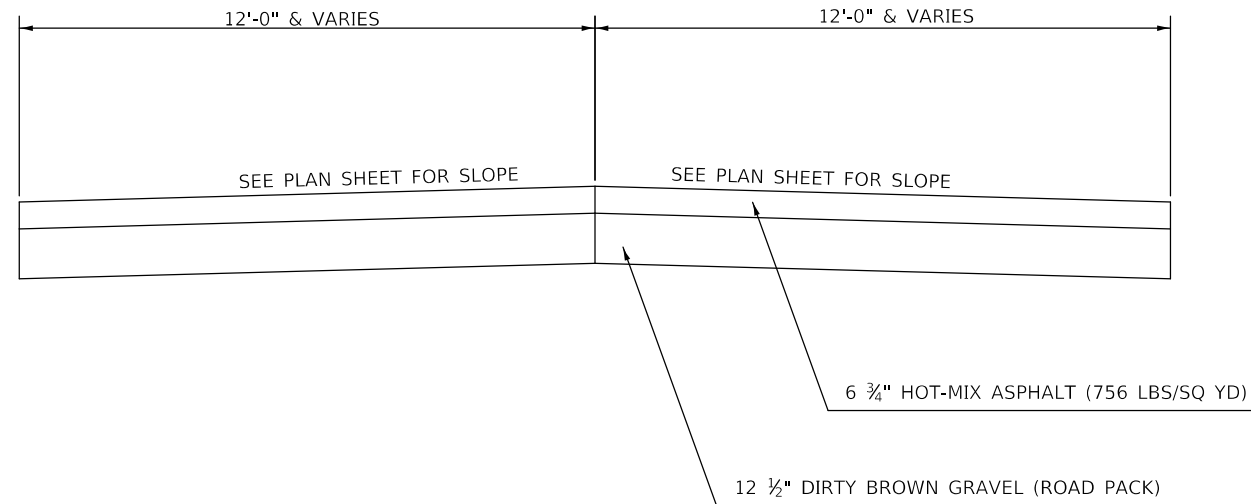
F.A.P. RTE.	SECTION	COUNTY	TOTAL SHEETS	SHEET NO.
IDOT	SIGN SHOP LOT 2020-1	EDGAR	13	3
CONTRACT NO. 70E28				
ILLINOIS FED. AID PROJECT				

EXISTING TYPICAL SECTIONS

1

HQ – NORTH PARKING LOT

STATION TO STATION
8 + 51.34 TO 9 + 16.18 ②

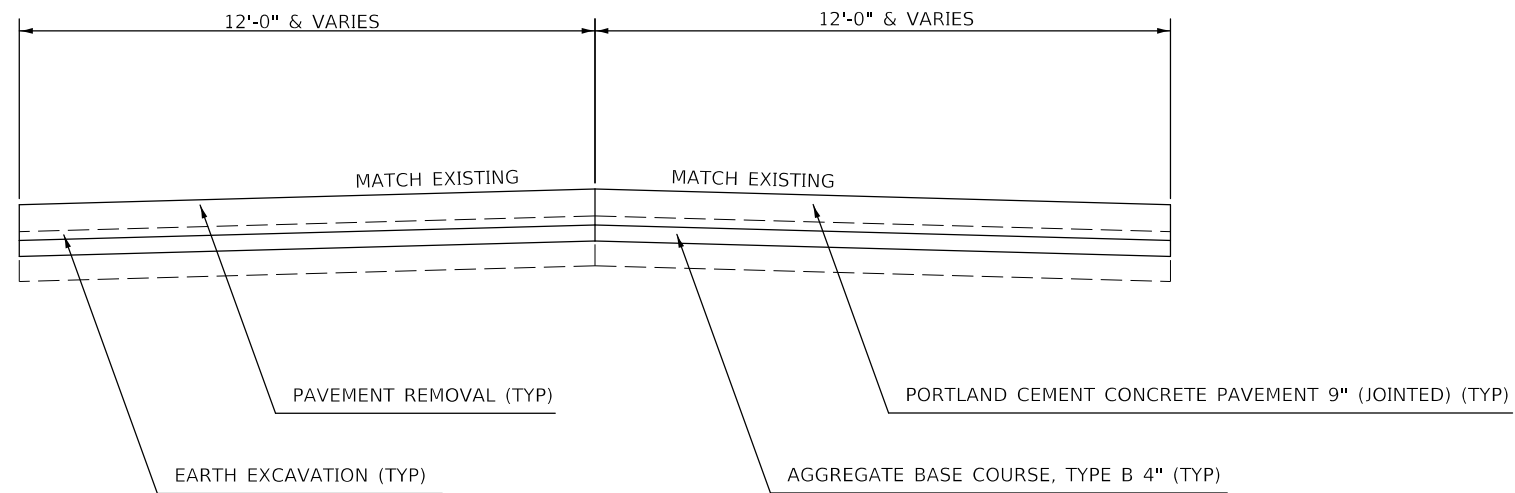


PROPOSED TYPICAL SECTIONS

1

HQ – NORTH PARKING LOT

STATION TO STATION
8 + 51.34 TO 9 + 16.18 ②



MODEL: \\MODEL\MRFS
 FILE: \\mrfs:pub\pblm\com\ada\illinois.gov\pblm\DOT\Documents\DOT_Offices\Dir\ctc 5\Projects\0570E28\CADD\data\CAD\Sheet\0570E28-ctc-typical.dgn

USER NAME = hodgsonra	DESIGNED - JCH	REVISED -
	DRAWN - JCH	REVISED -
PLOT SCALE = 40.0000' / in.	CHECKED -	REVISED -
PLOT DATE = 1/23/2020	DATE - 12/18/2019	REVISED -

**STATE OF ILLINOIS
 DEPARTMENT OF TRANSPORTATION**

TYPICAL SECTIONS

SCALE: N/A SHEET 1 OF 2 SHEETS STA. TO STA.

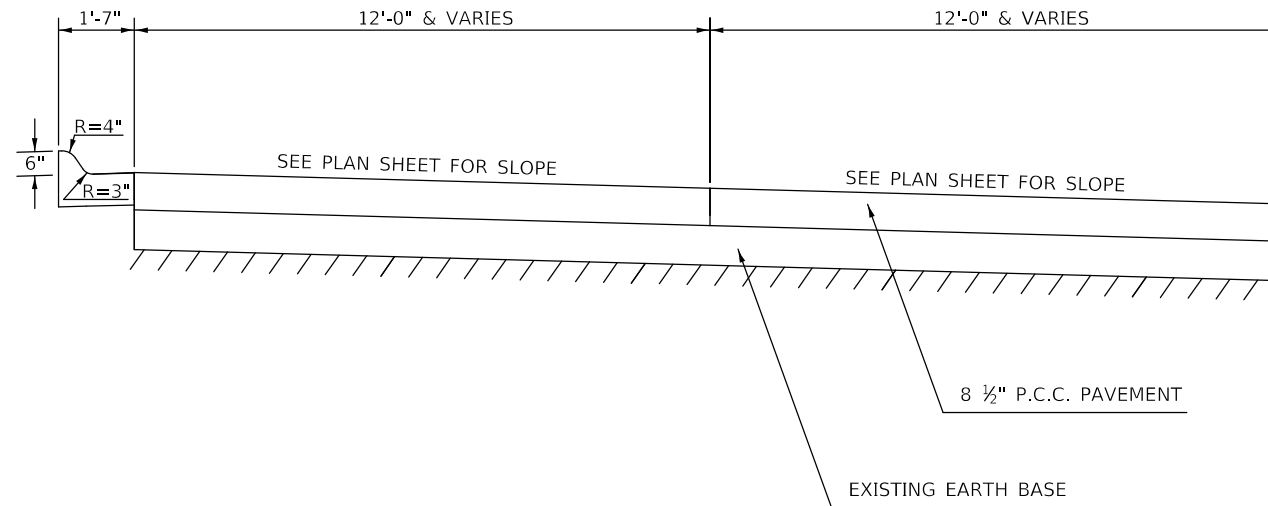
F.A.P. RTE.	SECTION	COUNTY	TOTAL SHEETS	SHEET NO.
IDOT	SIGN SHOP LOT 2020-1	EDGAR	13	5
CONTRACT NO. 70E28				
ILLINOIS		FED. AID PROJECT		

EXISTING TYPICAL SECTIONS

2

SIGN SHOP – NORTH LOT

STATION TO STATION
 ② 8 + 23.34 TO 10 + 39.73

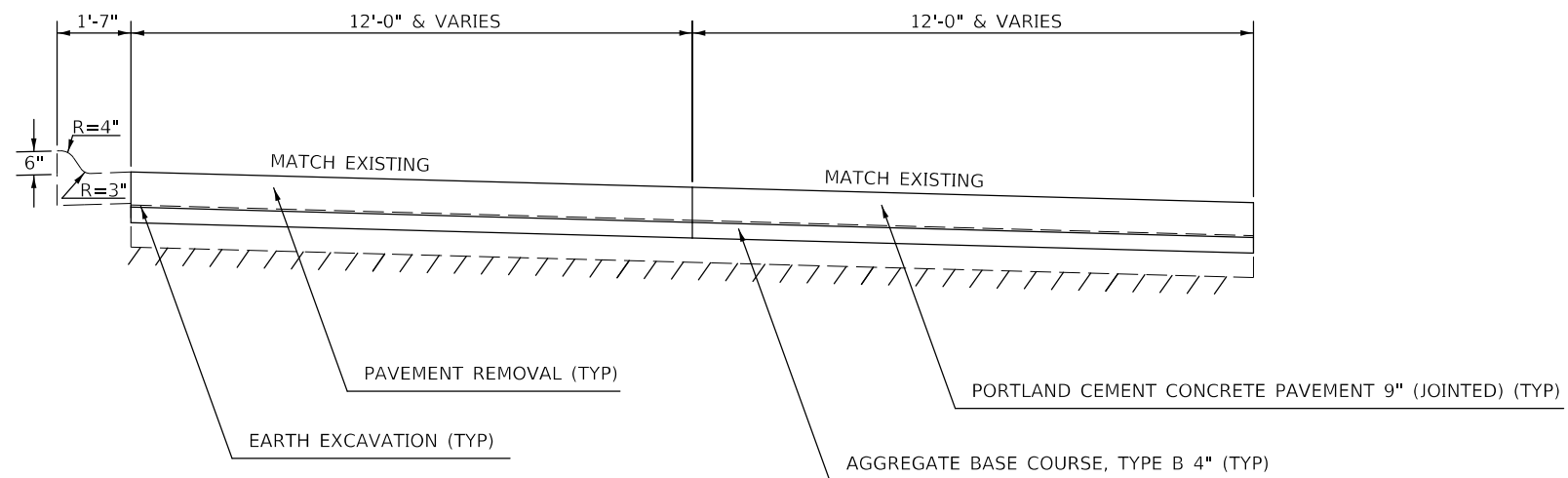


PROPOSED TYPICAL SECTIONS

2

SIGN SHOP – NORTH LOT

STATION TO STATION
 ② 8 + 23.24 TO 10 + 39.73



MODEL: I:\MODEL\MHFS...
 FILE: MHFS...
 PROJECT: ...

USER NAME = hodgsonra	DESIGNED - JCH	REVISED -
	DRAWN - JCH	REVISED -
PLOT SCALE = 40,0000' / in.	CHECKED -	REVISED -
PLOT DATE = 1/23/2020	DATE - 12/18/2019	REVISED -

STATE OF ILLINOIS
 DEPARTMENT OF TRANSPORTATION

TYPICAL SECTIONS

SCALE: N/A SHEET 2 OF 2 SHEETS STA. TO STA.

F.A.P. RTE.	SECTION	COUNTY	TOTAL SHEETS	SHEET NO.
IDOT	SIGN SHOP LOT 2020-1	EDGAR	13	6
			CONTRACT NO. 70E28	
		ILLINOIS	FED. AID PROJECT	

SCHEDULE OF QUANTITIES

PAVEMENT SCHEDULE

LOCATION	MIDPOINT STATION	OFFSET (FOOT)		AVERAGE WIDTH (FOOT)	AVERAGE LENGTH (FOOT)	AREA (SQ FT)	AGGREGATE BASE COURSE, TYPE B 4" (SQ YD) 35101600	PREPARATION OF BASE (SQ YD) 35800100	WELDED WIRE REINFORCEMENT (SQ YD) 42000060	PORTLAND CEMENT CONCRETE PAVEMENT 9" JOINTED (SQ YD) 42000401	PAVEMENT REMOVAL (SQ YD) 44000100
1- MAIN AREA - PCC	9+75.96	285.6	LT	225.8	119.7	22,664.66	2,518.30	100.73	2,518.30	2,518.30	2,518.30
2- NORTH EXTENSION - AGG	10+16.81	332.0	LT	98.5	42.0	2,233.44	248.16	0.00	248.16	248.16	0.00
3- N. OF CURB & GUTTER	10+10.95	387.0	LT	11.5	57.6	516.59	57.40	0.00	57.40	57.40	0.00
4- W. SIDE OF SHOP - HMA	8+83.76	385.2	LT	31.7	64.8	1,593.20	177.02	7.08	177.02	177.02	177.02
5- E. SIDE OF SHOP - PCC	8+73.35	182.4	LT	19.2	100.0	1,496.92	166.32	6.65	166.32	166.32	166.32
TOTAL =							3,167.20	114.47	3,167.20	3,167.20	2,861.64
USE =							3,170.0	115.0	3,170.0	3,170.0	2,865.0

*LOCATIONS 1-5, AREA WAS MEASURED IN CADD.

SAW CUTS / ADDITIONAL BARS

LOCATION	STATION	OFFSET (FOOT)	TO	STATION	OFFSET (FOOT)	WIDTH (FOOT)	LENGTH (FOOT)	TIE BARS 3/4" (EACH) 44213204	DOWEL BARS 1 1/4" (EACH) 44201298	SAW CUTS (FOOT) 44213200
EAST SIGN SHOP TIE-IN	9+09.79	192.0	LT	9+23.34	191.9		13.55	5.0		13.55
NORTH SIGN SHOP APPROACH	9+23.19	192.0	LT	9+23.34	369.3	177.32			177.0	177.32
WEST ENTRANCE RAMP	8+38.08	380.7	LT	8+59.67	380.9		22.10	8.0		22.10
EXISTING W. CURB & GUTTER	9+16.02	396.5	LT	9+81.36	396.6		68.00	23.0		68.00
SUB TOTAL =								36.0	177.0	280.97
USE =								36.0	177.0	285.0

MODEL: \\MODEL\NAME
 FILE: \\NAME: \\pub\m\com\ada\illinois\pwr\WIDOT\Documents\IDOT - Offices\District 5\Projects\0570E28\CADDData\CAD\Sheet\0570E28-eh-sched.qdw

USER NAME = hodgsonra	DESIGNED - JCH	REVISED -
	DRAWN - JCH	REVISED -
PLOT SCALE = 40.0000 ' / in.	CHECKED -	REVISED -
PLOT DATE = 1/23/2020	DATE - 01/04/2020	REVISED -

**STATE OF ILLINOIS
DEPARTMENT OF TRANSPORTATION**

SCHEDULE OF QUANTITIES

SCALE: 1' = 20' SHEET 2 OF 2 SHEETS STA. TO STA.

F.A.P. RTE.	SECTION	COUNTY	TOTAL SHEETS	SHEET NO.
IDOT	SIGN SHOP LOT 2020-1	EDGAR	13	7
CONTRACT NO. 70E28				
ILLINOIS		FED. AID PROJECT		

SCHEDULE OF QUANTITIES

EARTH EXCAVATION

LOCATION	STATION	OFFSET (FOOT)	TO	STATION	OFFSET (FOOT)	AVERAGE AREA (SQ FT)	AVERAGE DEPTH (INCHES)	EARTH EXCAVATION 20200100 (CU YD)
1- MAIN AREA - PCC	9+16.09	173.5	LT	10+35.83	399.0	22,664.66	4.0	279.81
2- NORTH EXTENSION - AGG	9+95.83	282.7	LT	10+37.79	381.2	2,233.44	13.0	89.61
3- N. OF CURB & GUTTER	9+82.17	379.9	LT	10+39.73	392.7	516.59	19.0	30.29
4- W. SIDE OF SHOP - HMA	8+51.34	369.3	LT	9+16.18	401.0	1,593.20	6.0	29.50
5- E. SIDE OF SHOP - PCC	8+42.18	172.8	LT	9+23.36	192.0	1,492.98	4.0	18.43
6- INCIDENTAL SEEDING	9+82.40	392.7	LT	10+06.92	396.9	120.00	3.0	1.11
GRAND TOTAL =								448.76
USE =								450.0

*LOCATIONS 1-6, AREA WAS MEASURED IN CADD.

REGULATED SUBSTANCES

LOCATION	NON-SPECIAL WASTE DISPOSAL 66900200 (CU YD)	SOIL DISPOSAL ANALYSIS 66900530 (EACH)	REGULATED SUBSTANCES PRE-CONSTRUCTION PLAN 66901001 (L SUM)	REGULATED SUBSTANCES FINAL 66901003 (L SUM)	REGULATED SUBSTANCES MONITORING 66901006 (CAL DA)
*	75.0	1.0	1.0	1.0	3.0

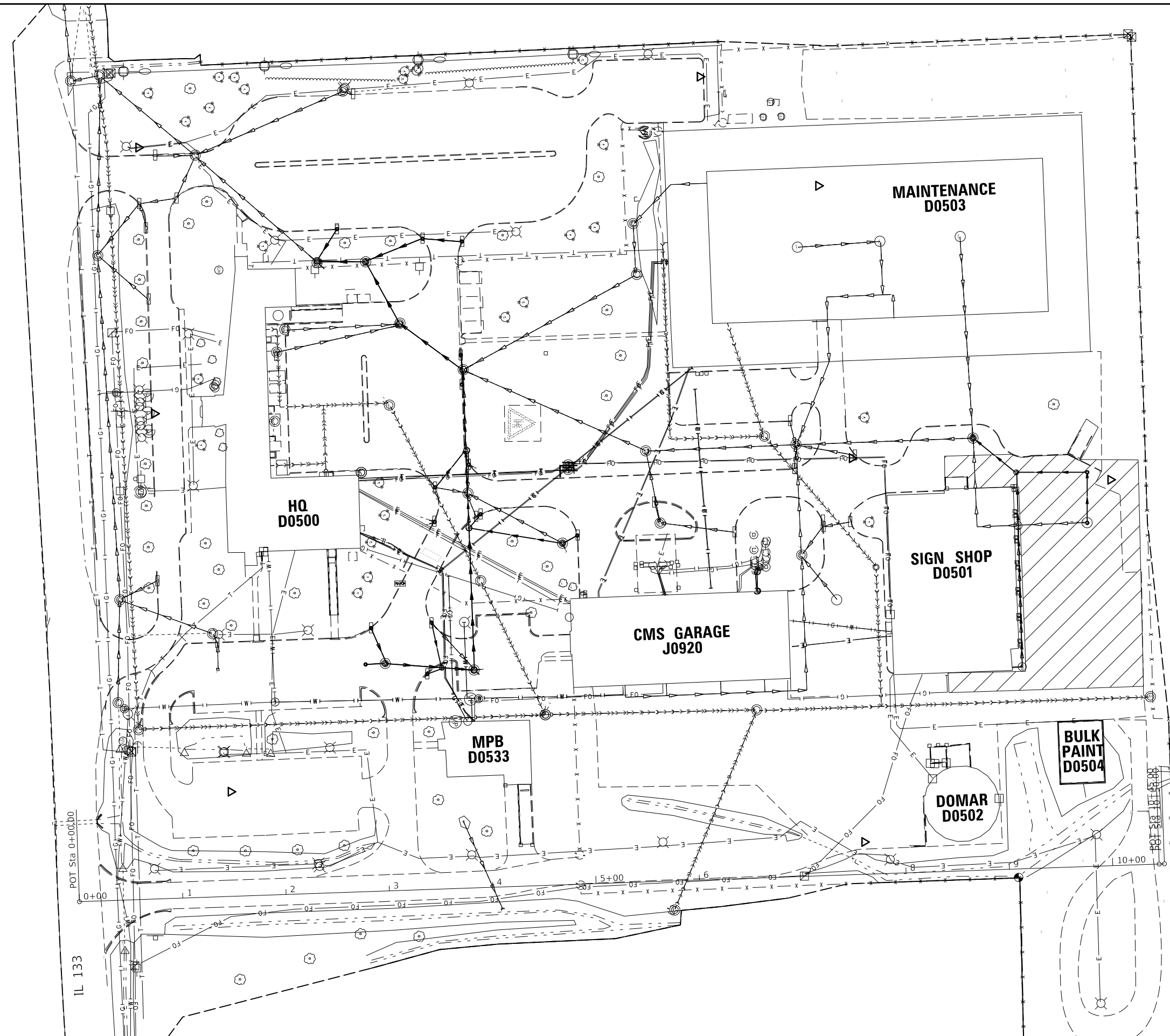
* LOCATIONS LISTED IN SPECIAL PROVISIONS

CURB AND GUTTER REMOVAL

LOCATION	STATION	OFFSET (FOOT)	TO	STATION	OFFSET (FOOT)	COMBINATION CURB AND GUTTER REMOVAL 44000500 (FOOT)
LOADING DOCK	9+80.50	390.7	LT	10+01.41	379.5	24.0
TOTAL =						24.0

MODEL: S:\MODEL\NAME: FILE: NAME: P:\pub\mcom\ma\da\illinois\gov\RID\DOT\Documents\DOT_Offices\District_5\Projects\0570E28\CADDData\CAD\sheets\0570E28-eh-sched.qdw

USER NAME = hodgsonra	DESIGNED - JCH	REVISED -	STATE OF ILLINOIS DEPARTMENT OF TRANSPORTATION	SCHEDULE OF QUANTITIES				F.A.P. RTE.	SECTION	COUNTY	TOTAL SHEETS	SHEET NO.
	DRAWN - JCH	REVISED -							IDOT	SIGN SHOP LOT 2020-1	EDGAR	13 8
PLOT SCALE = 40.0000 ' / in.	CHECKED -	REVISED -							CONTRACT NO. 70E28			
PLOT DATE = 1/23/2020	DATE - 01/05/2020	REVISED -			SCALE: 1' = 20'	SHEET 1	OF 2	SHEETS	STA.		TO STA.	
											ILLINOIS	FED. AID PROJECT



 PROPOSED WORK AREA

MODEL: \\MODEL\MAME
 FILE NAME: P:\p\illinois\dot\Documents\DOT_Offices\District_5\Projects\D570E2B\CADData\CAD\Sheet\0570E2B-ht_Plan.dgn

USER NAME = hodgsonra	DESIGNED - JCH	REVISED -
	DRAWN - JCH	REVISED -
PLOT SCALE = 100.0000' / in.	CHECKED -	REVISED -
PLOT DATE = 1/23/2020	DATE - 01/17/2020	REVISED -

**STATE OF ILLINOIS
DEPARTMENT OF TRANSPORTATION**

PLAN SHEET	
SCALE: 1"=50'	SHEET 1 OF 1 SHEETS
STA.	TO STA.

F.A.P. RTE.	SECTION	COUNTY	TOTAL SHEETS	SHEET NO.
IDOT	SIGN SHOP LOT 2020-1	EDGAR	13	9
CONTRACT NO. 70B28			ILLINOIS FED. AID PROJECT	

* D5 LOT IMPROVEMENT 2019-1



- PAVEMENT REMOVAL AND REPLACEMENT
- EARTH EXCAVATION & P.C.C. PAVEMENT 9" JOINTED
- COMBINATION CURB AND GUTTER REMOVAL
- INCIDENTAL SEEDING

MAIN AREA - PCC
 LOCATION #1
 STA 9+16.01 TO STA 10+35.83
 173.10' LT TO 399.01' LT

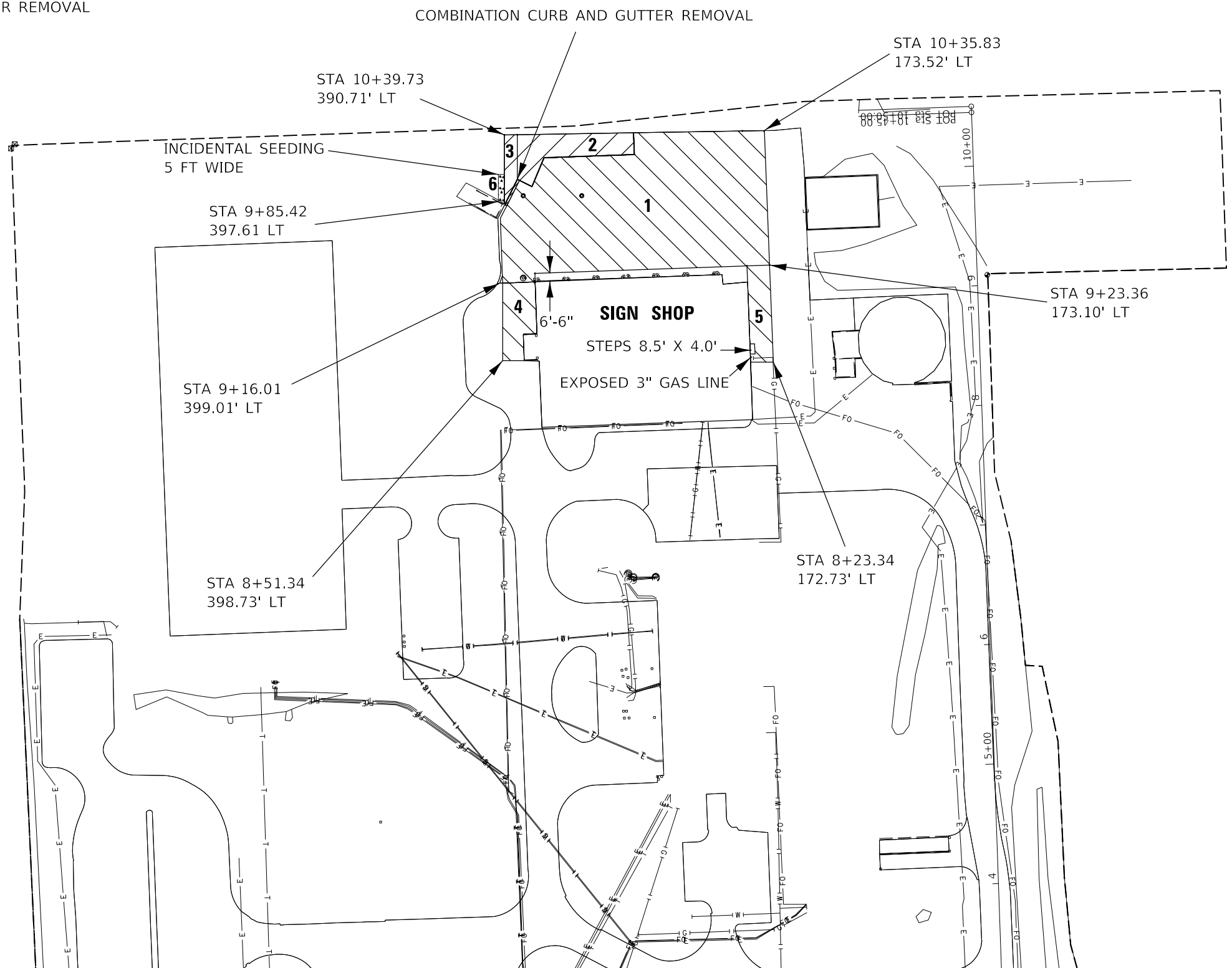
NORTH EXTENSION
 LOCATION #2
 STA 9+95.83 TO STA 10+37.79
 282.72' LT TO 381.24' LT

NORTH OF CURB AND GUTTER
 LOCATION #3
 STA 9+82.17 TO STA 10+39.73
 379.94' LT TO 392.72' LT

WEST SIDE OF SHOP - HMA
 LOCATION #4
 STA 8+51.34 TO STA 9+16.18
 369.30' LT TO 398.73' LT

EAST SIDE OF SHOP - PCC
 LOCATION #5
 STA 8+42.18 TO STA 9+23.36
 172.80' LT TO 191.96' LT

INCIDENTAL SEEDING
 LOCATION #6
 STA 9+82.40 TO STA 10+06.92
 392.72' LT TO 396.86' LT
 120 SQ FT
 1:10 SLOPE



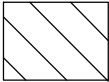




MODEL: \\MODEL\NAME
 FILE: \\NAME: \\path\to\file.dwg

USER NAME = hodgsonra	DESIGNED - JCH	REVISED -
	DRAWN - JCH	REVISED -
PLOT SCALE = 100.0000' / in.	CHECKED -	REVISED -
PLOT DATE = 1/23/2020	DATE - 1/02/2019	REVISED -

STATE OF ILLINOIS
DEPARTMENT OF TRANSPORTATION

PLAN SHEET	
SCALE: 1" = 100'	SHEET 1 OF 1 SHEETS
STA.	TO STA.

F.A.P. RTE.	SECTION	COUNTY	TOTAL SHEETS	SHEET NO.
IDOT	SIGN SHOP LOT 2020-1	EDGAR	13	10
CONTRACT NO. 70E28				
ILLINOIS FED. AID PROJECT				

-  PAVEMENT REMOVAL AND REPLACEMENT
-  EARTH EXCAVATION & P.C.C. PAVEMENT 9" JOINTED
-  COMBINATION CURB AND GUTTER REMOVAL
-  INCIDENTAL SEEDING
-  REGULATED SUBSTANCES
NOTE: SOIL CLASSIFICATION LABELED
IN CORNER OF BOX AS 669.05 (α)(#)
α=LETTER
#=NUMBER



MODEL: \\MODEL\NAME
 FILE: \\NAME: \\path\to\file.dwg

USER NAME = hodgsonra	DESIGNED -	REVISED -
	DRAWN -	REVISED -
PLOT SCALE = 40,0000 ' / in.	CHECKED -	REVISED -
PLOT DATE = 1/23/2020	DATE -	REVISED -

**STATE OF ILLINOIS
DEPARTMENT OF TRANSPORTATION**

Environmental Plan Sheet

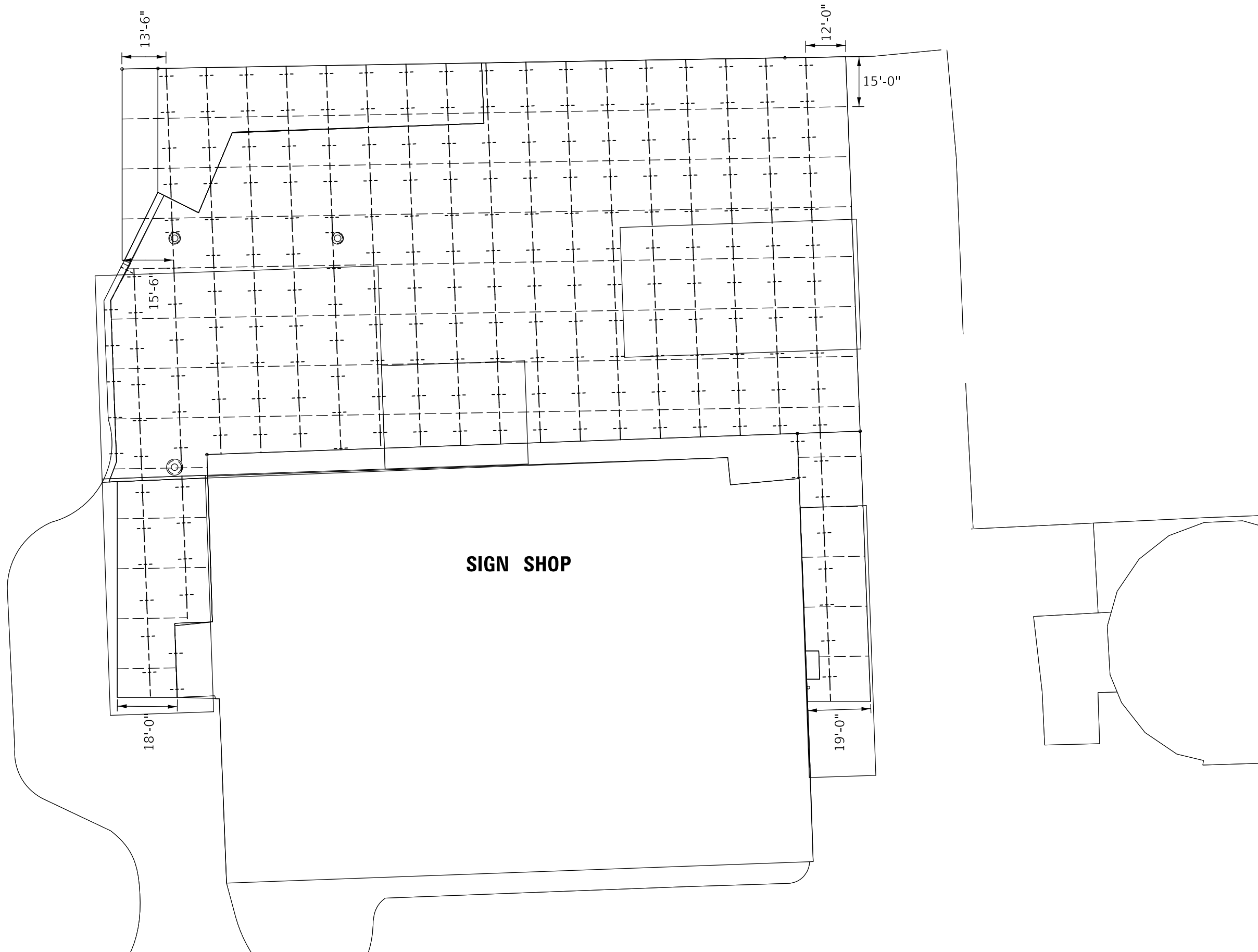
SCALE: 1" = 20' SHEET 1 OF 1 SHEETS STA. TO STA.

F.A.P. RTE.	SECTION	COUNTY	TOTAL SHEETS	SHEET NO.
IDOT	SIGN SHOP LOT 2020-1	EDGAR	13	11
CONTRACT NO. 70E28				
ILLINOIS FED. AID PROJECT				

LEGEND

SEE STD 000001-07

----- PROPOSED TRANSVERSE
CONTRACTION JOINTS



MODEL: \\MODEL\NAME
 FILE: \\NAME: \\pub\hmn\com\ad\illinois.gov\PW\DOT\Documents\DOT_Offices\Director_S\Projects\0570E28\CADData\CAD\Sheets\0570E28-ctc-john-detail.dgn

USER NAME = hodgsonra	DESIGNED - JCH	REVISED -
	DRAWN - JCH	REVISED -
PLOT SCALE = 30.0000' / in.	CHECKED -	REVISED -
PLOT DATE = 1/23/2020	DATE - 01/14/2020	REVISED -

**STATE OF ILLINOIS
DEPARTMENT OF TRANSPORTATION**

JOINT DETAIL SHEET
SCALE: 1"=20' SHEET 1 OF 1 SHEETS STA. TO STA.

F.A.P. RTE.	SECTION	COUNTY	TOTAL SHEETS	SHEET NO.
IDOT	SIGN SHOP LOT 2020-1	EDGAR	13	12
			CONTRACT NO. 70E28	
ILLINOIS FED. AID PROJECT				



POT STA 10+45.00

10+00

9

8

7

SIGN SHOP



MODEL: \\MODELNAME
FILE: \\name.ctb
PROJECT: \\PROJECTNAME
OFFICE: \\OFFICE
DATE: 1/23/2020

USER NAME = hodgsonra	DESIGNED - JCH	REVISED -
DRAWN - JCH	REVISED -	
PLOT SCALE = 40.0000' / in.	CHECKED -	REVISED -
PLOT DATE = 1/23/2020	DATE - 12/27/2019	REVISED -

**STATE OF ILLINOIS
DEPARTMENT OF TRANSPORTATION**

**EXISTING FLOW
PLAN SHEET**

SCALE: 1" = 20' SHEET 1 OF 1 SHEETS STA. TO STA.

F.A.P. RTE.	SECTION	COUNTY	TOTAL SHEETS	SHEET NO.
IDOT	SIGN SHOP LOT 2020-1	EDGAR	13	13
CONTRACT NO. 70E28				
ILLINOIS FED. AID PROJECT				