

CDB-102-728-016

INDEX OF DRAWINGS

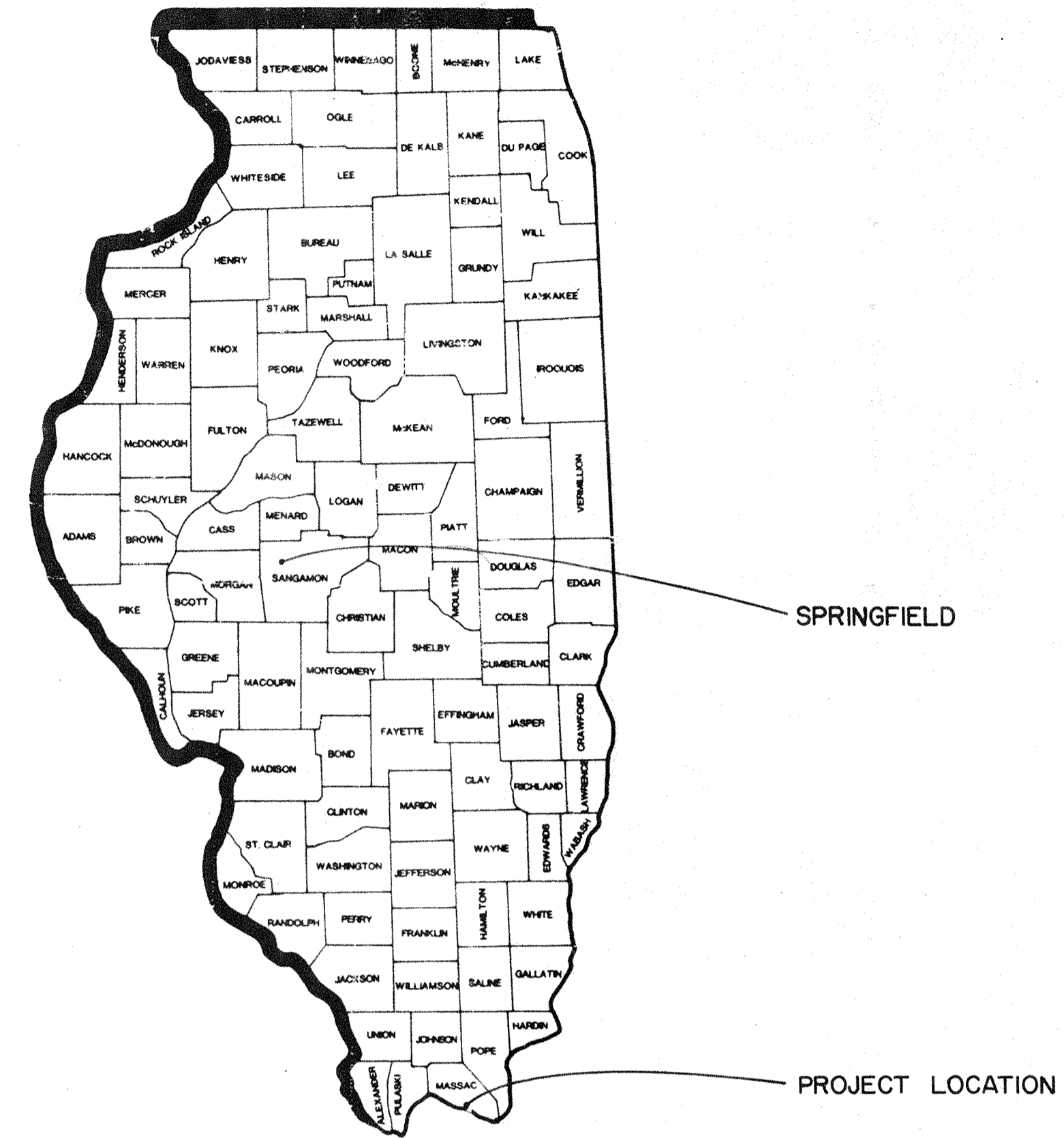
- G-1 TITLE SHEET & LOCATION MAPS
- A-1 BRIDGE PLANS & ELEVATION
- A-2 BRIDGE SECTIONS & DETAILS

REHABILITATE BRIDGE FORT MASSAC STATE PARK METROPOLIS, MASSAC COUNTY, ILLINOIS

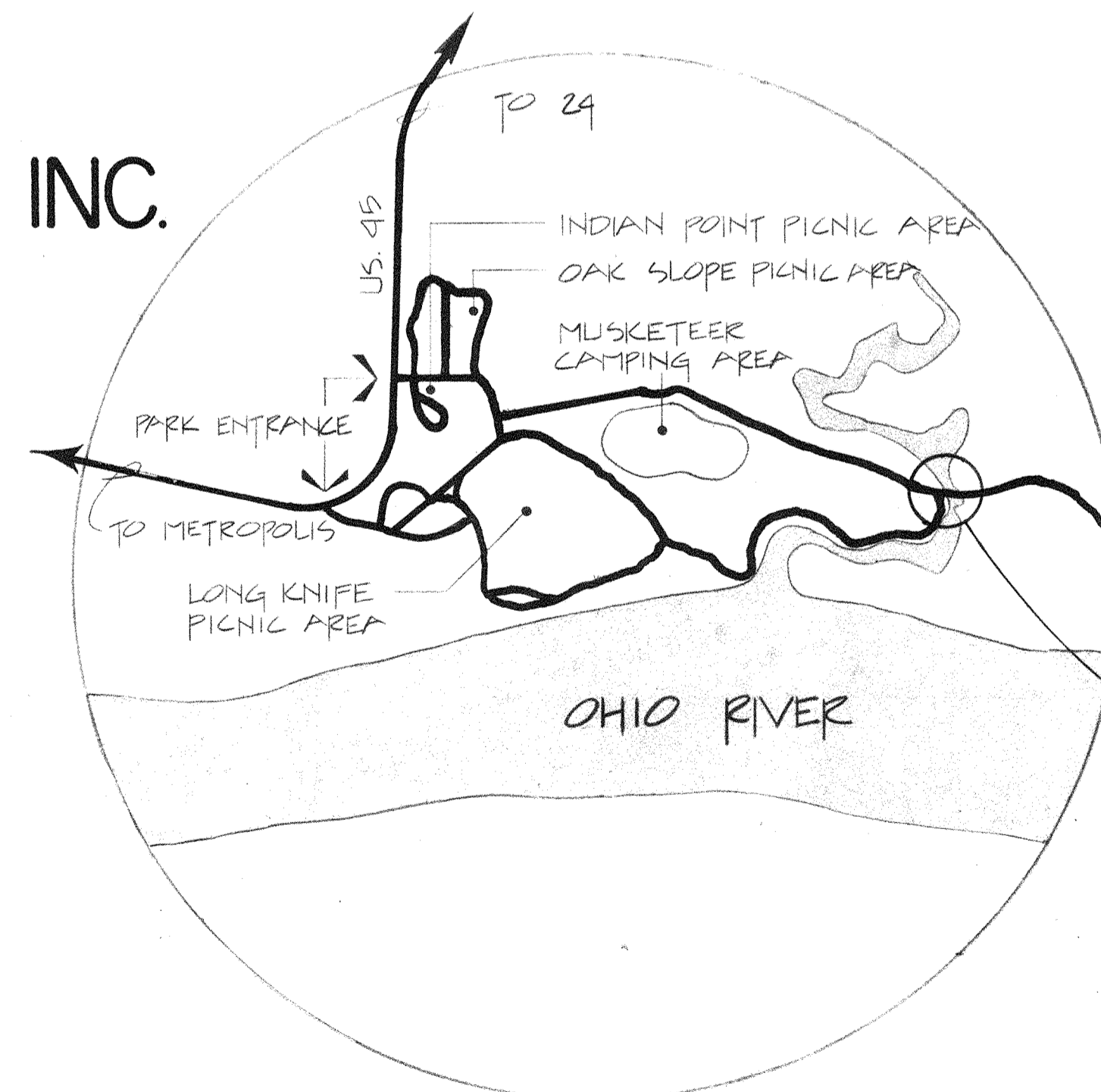
FOR:
STATE OF ILLINOIS
CAPITAL DEVELOPMENT BOARD

USER AGENCY:
ILLINOIS DEPARTMENT OF CONSERVATION
D.O.C. FILE # 5-90-29

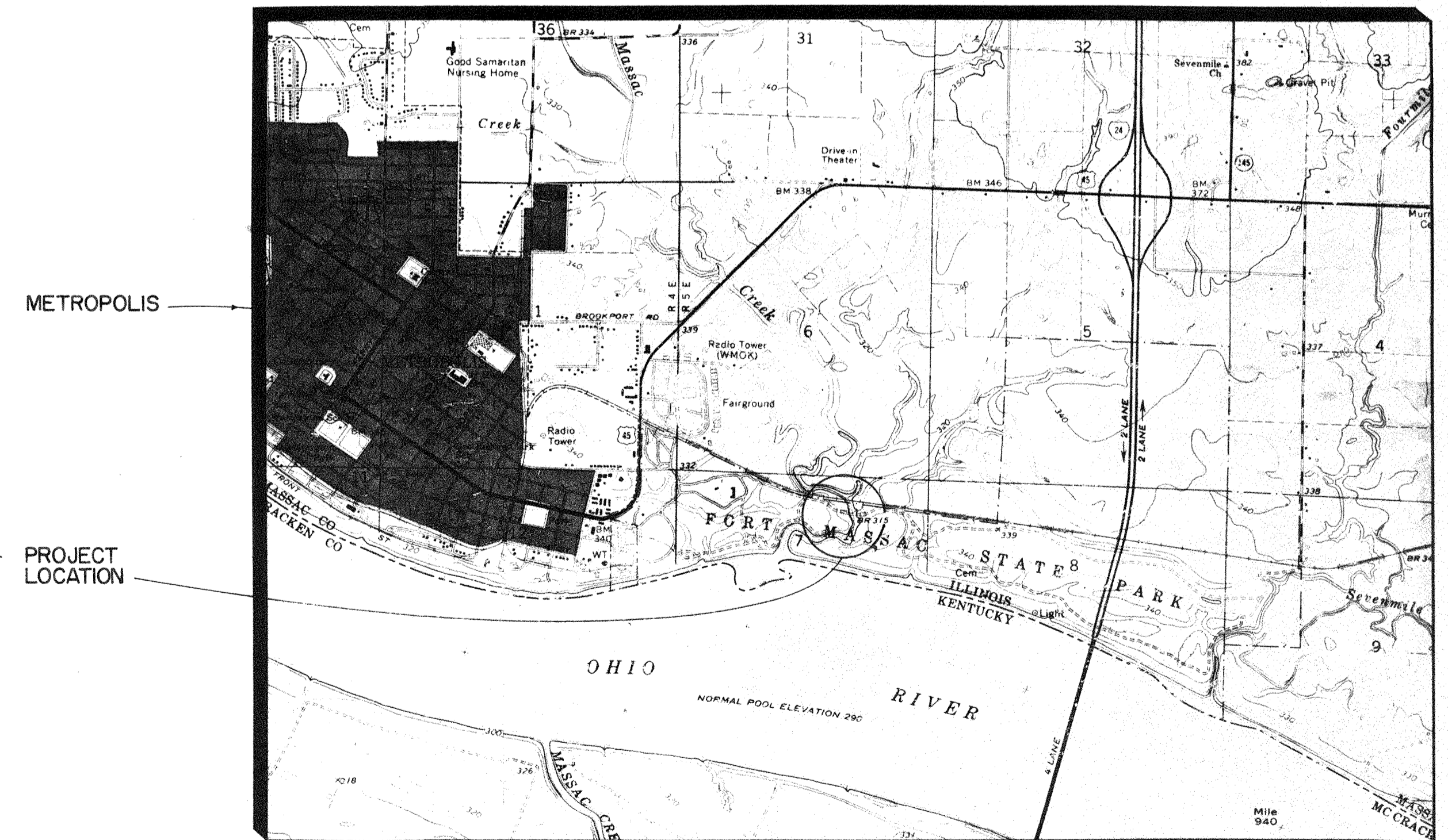
BY:
R. A. NACK & ASSOCIATES, INC.
ARCHITECT / ENGINEER
CARBONDALE, ILLINOIS
(618/457-2104)



STATE LOCATION MAP

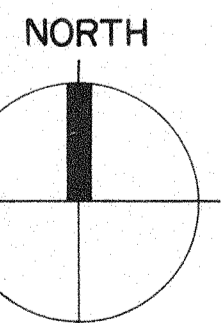


PARK MAP

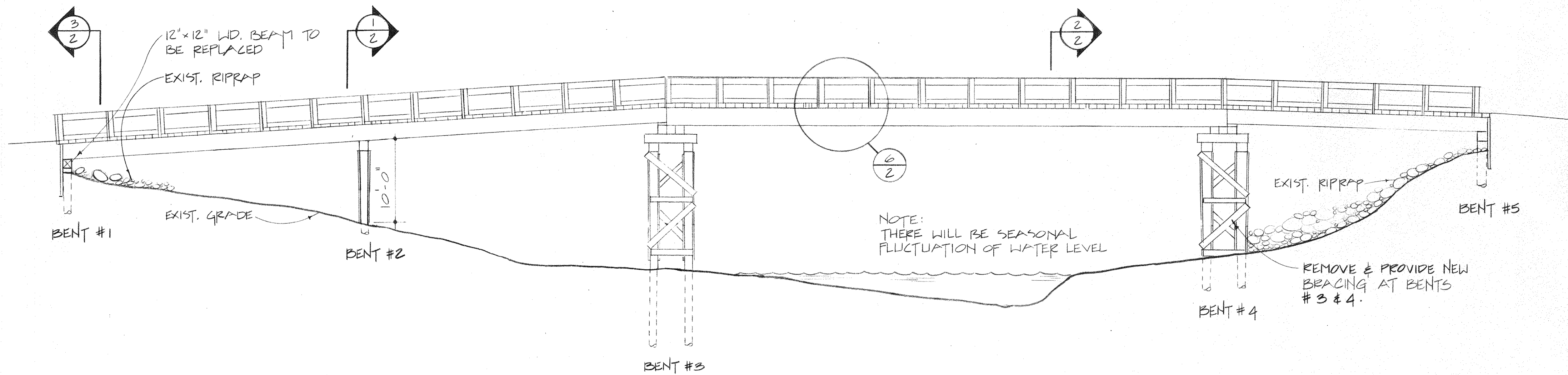


AREA LOCATION MAP

"RECORD CONSTRUCTION DRAWING"

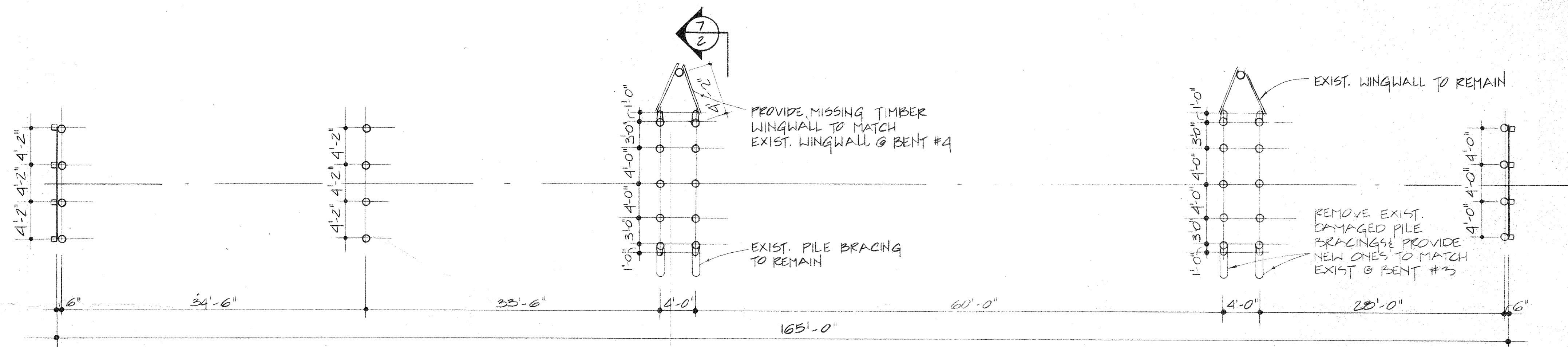


REVISIONS NO. DATE REMARKS			DRAWN APPROVED TRACED APPROVED CHECKED APPROVED	 R. A. NACK & ASSOCIATES, INC ARCHITECT - ENGINEER CARBONDALE, ILLINOIS	 STATE OF ILLINOIS CAPITAL DEVELOPMENT BOARD	TITLE SHEET AND LOCATION MAPS FORT MASSAC STATE PARK REHABILITATE BRIDGE	PROJECT NO. CDB-102-728-016 DATE 5-21-91 SHEET NO. G-1 OF SHEETS
			<i>Robert G. Nack</i> 5-24-91 EXP 11-30-92				



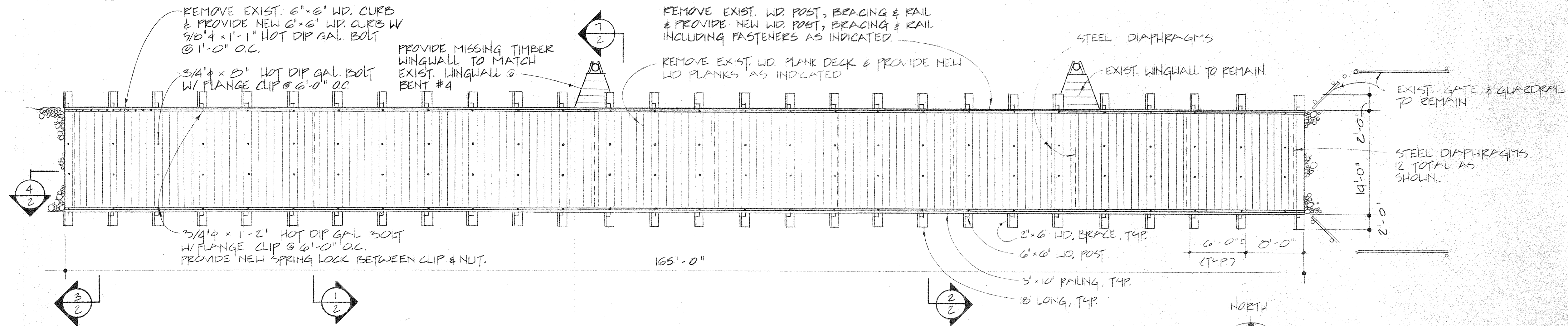
BRIDGE SOUTH ELEVATION

SCALE: 1/8" = 1'-0"



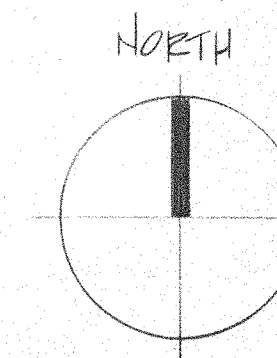
BRIDGE PILES PLAN

SCALE: 1/8" = 1'-0"



BRIDGE PLAN

SCALE 1/8" = 1'-0"



"RECORD CONSTRUCTION DRAWING"

DOC FILE # 5-90-29

REVISIONS		DRAWN	APPROVED
NO.	DATE		

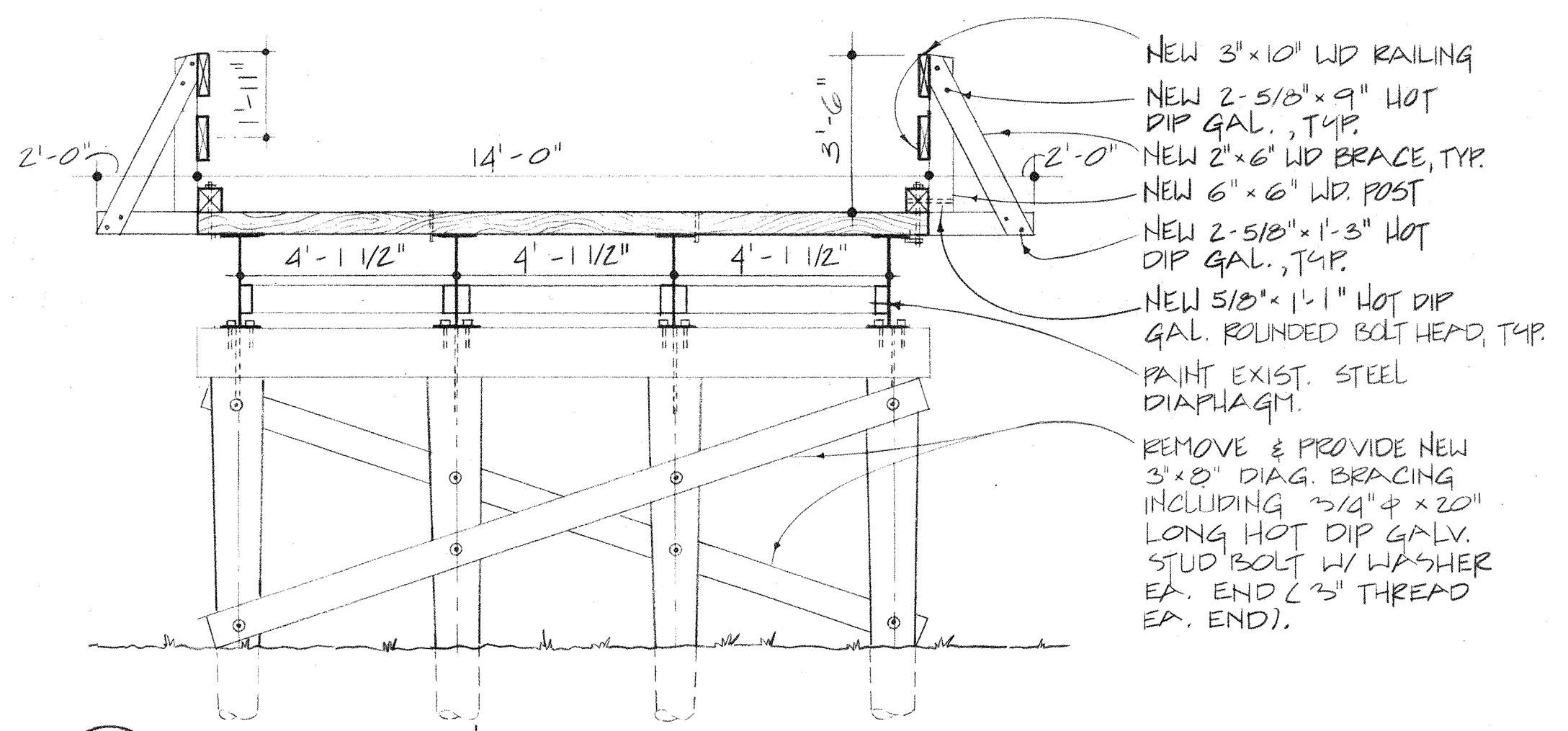
R. A. NACK & ASSOCIATES, INC
 ARCHITECT - ENGINEER
 CARBONDALE, ILLINOIS



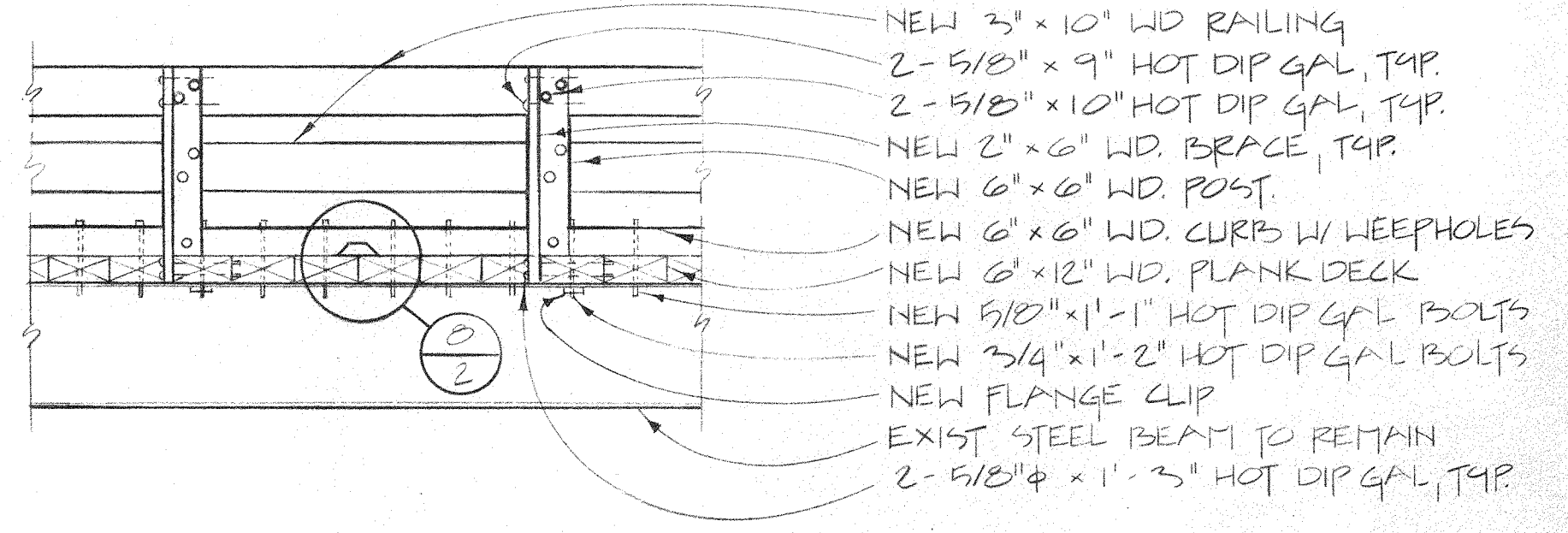
BRIDGE PLANS AND ELEVATION
FORT MASSAC STATE PARK
 REHABILITATE BRIDGE

PROJECT NO.
 CDB: 102-728-016
 DATE 5-21-91
 SHEET NO.
A-1
 OF SHEETS

Robert A. Mack
 5-24-91
 Exp. 11-30-92



1 CROSS SECTION
SCALE: 3/8" = 1'-0"

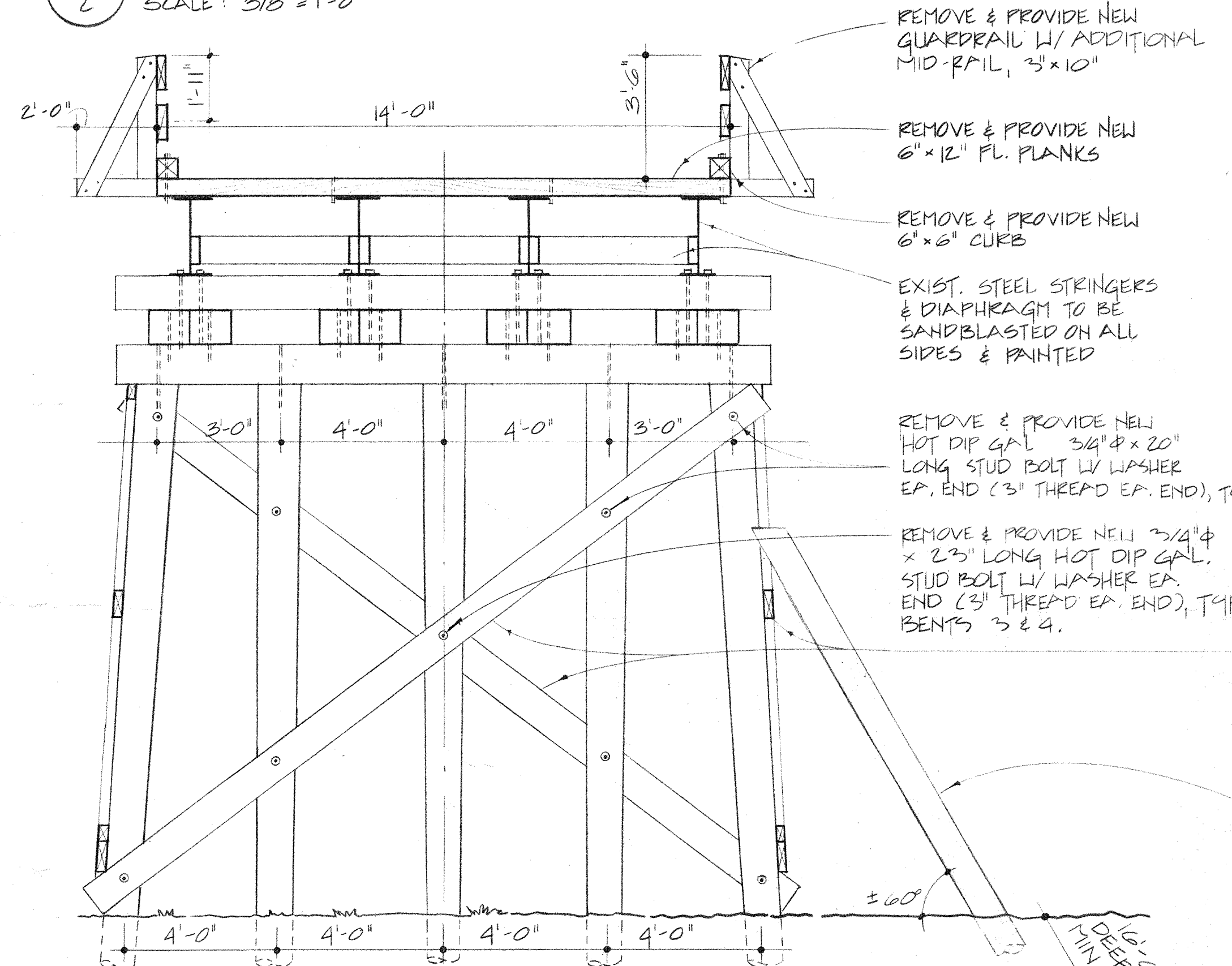


6 PARTIAL BRIDGE ELEVATION
SCALE: 3/8" = 1'-0"

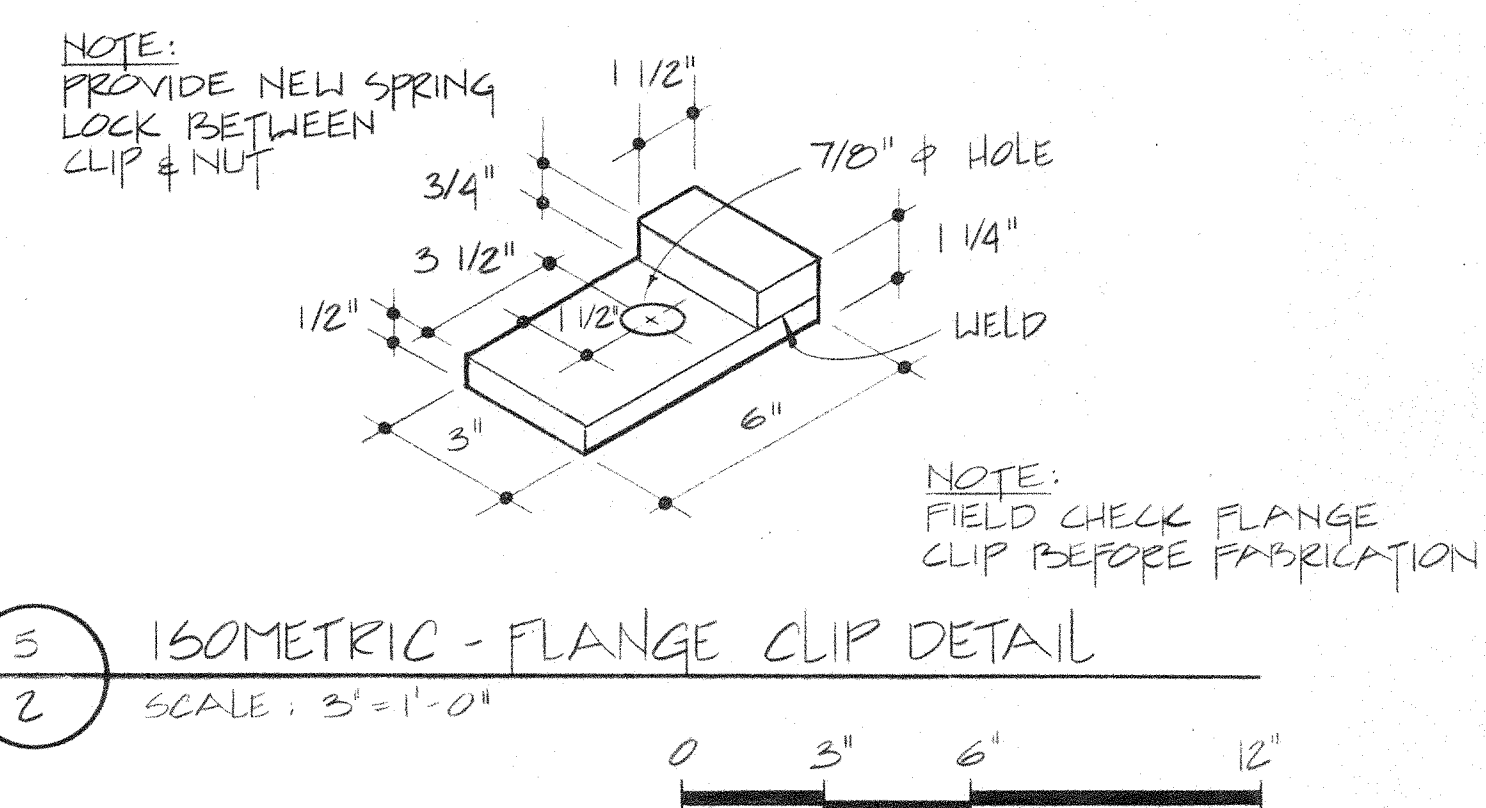
NOTES:

- ALL BOLTS SHALL BE STANDARD MACHINE BOLTS W/ STANDARD WASHERS, UNLESS NOTED OTHERWISE. PROVIDE WASHERS @ BOTH ENDS EA. BOLT.
- TREATED LUMBER FOR DECKING, RAILING SYSTEM & BRACING SHALL BE SOUTHERN YELLOW PINE, NO. 1 DENSE GRADE, OR.
- ALL BOLTS, PINS, NAILS, & WASHERS SHALL BE HOT DIP GAL.
- CLEAN THE CHANNEL OF STUMPS & DEBRIS ADJACENT TO THE BRIDGE.
- THE CONTRACTOR SHALL BE RESPONSIBLE FOR PROVIDING ALL MATERIALS OF PROPER SIZE AS INDICATED ON DRAWINGS & AS NECESSARY TO COMPLETE RESTORATION WORK WHETHER OR NOT EA. ITEM IS SHOWN.
- THE CONTRACTOR SHALL FIELD CHECK ALL DIM.

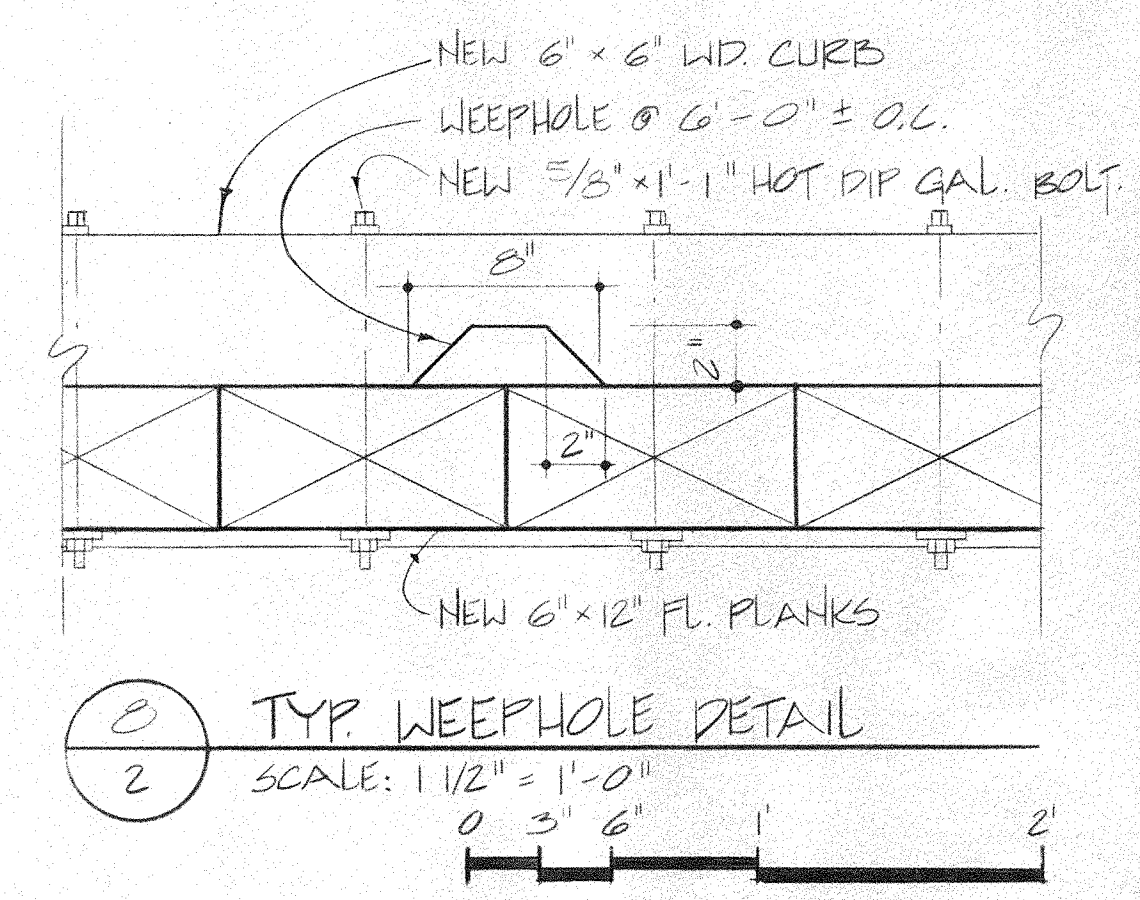
DESIGN DATA
BRIDGE LIVE LOAD CAPACITY: 10 TONS
RAILING LATERAL LOAD: 150 #/FT.



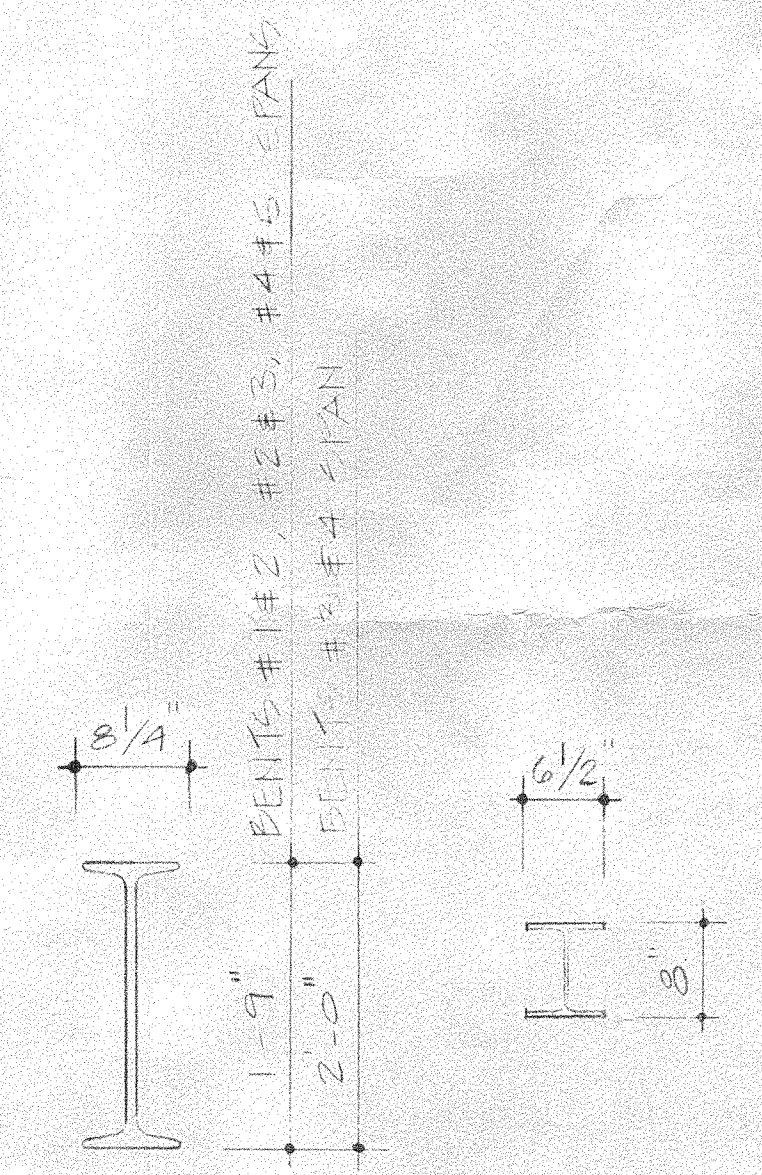
2 CROSS SECTION
SCALE: 3/8" = 1'-0"



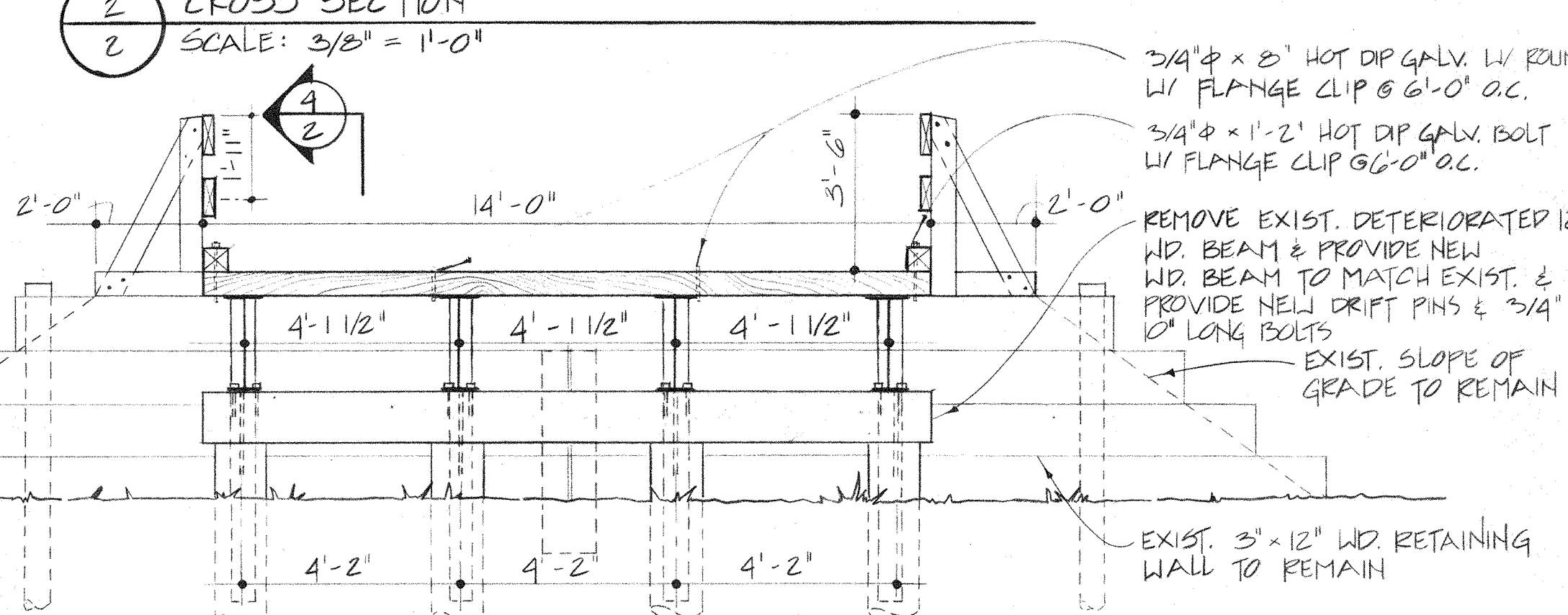
5 ISOMETRIC - FLANGE CLIP DETAIL
SCALE: 3" = 1'-0"



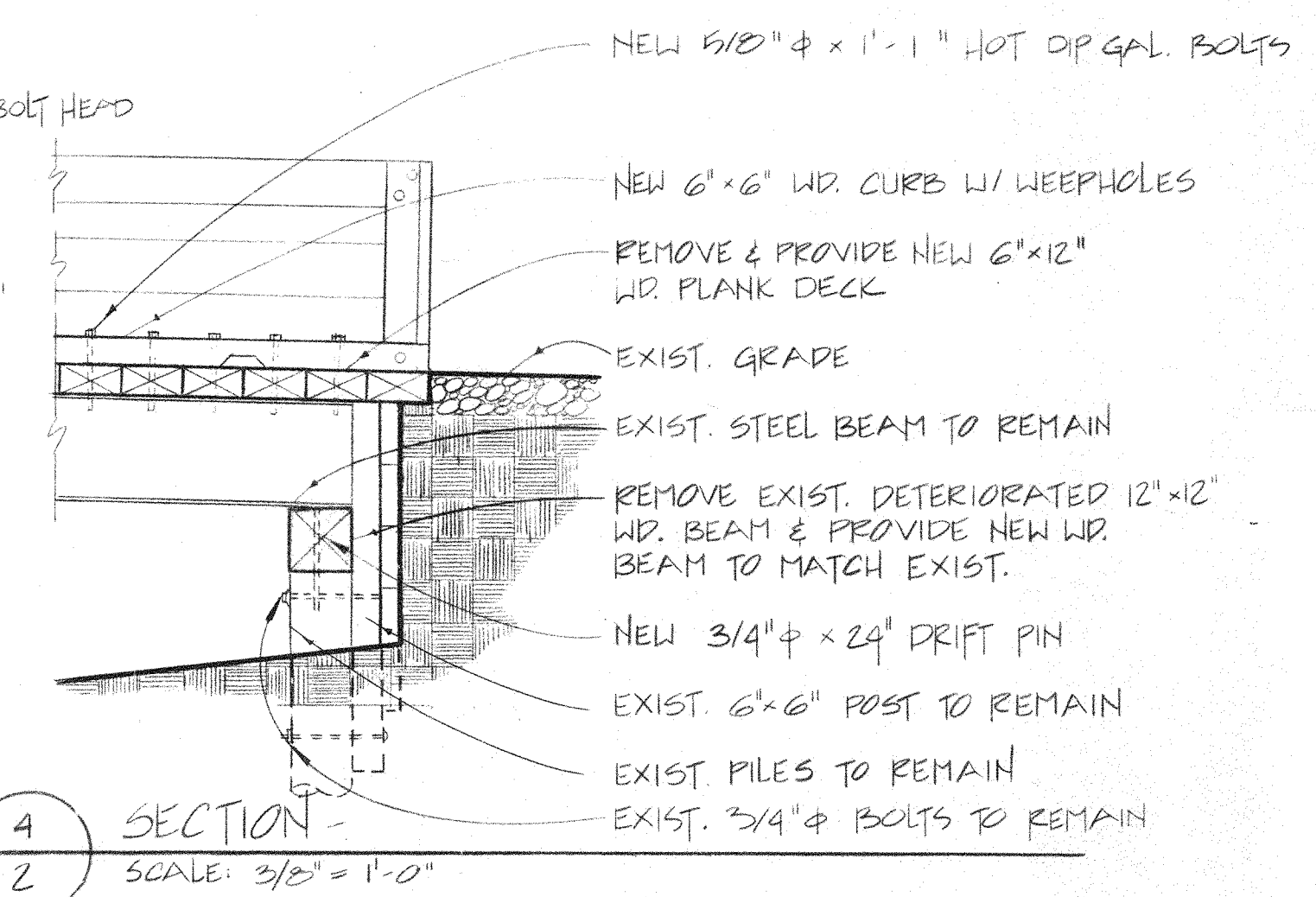
8 TYP. WEEPHOLE DETAIL
SCALE: 1 1/2" = 1'-0"



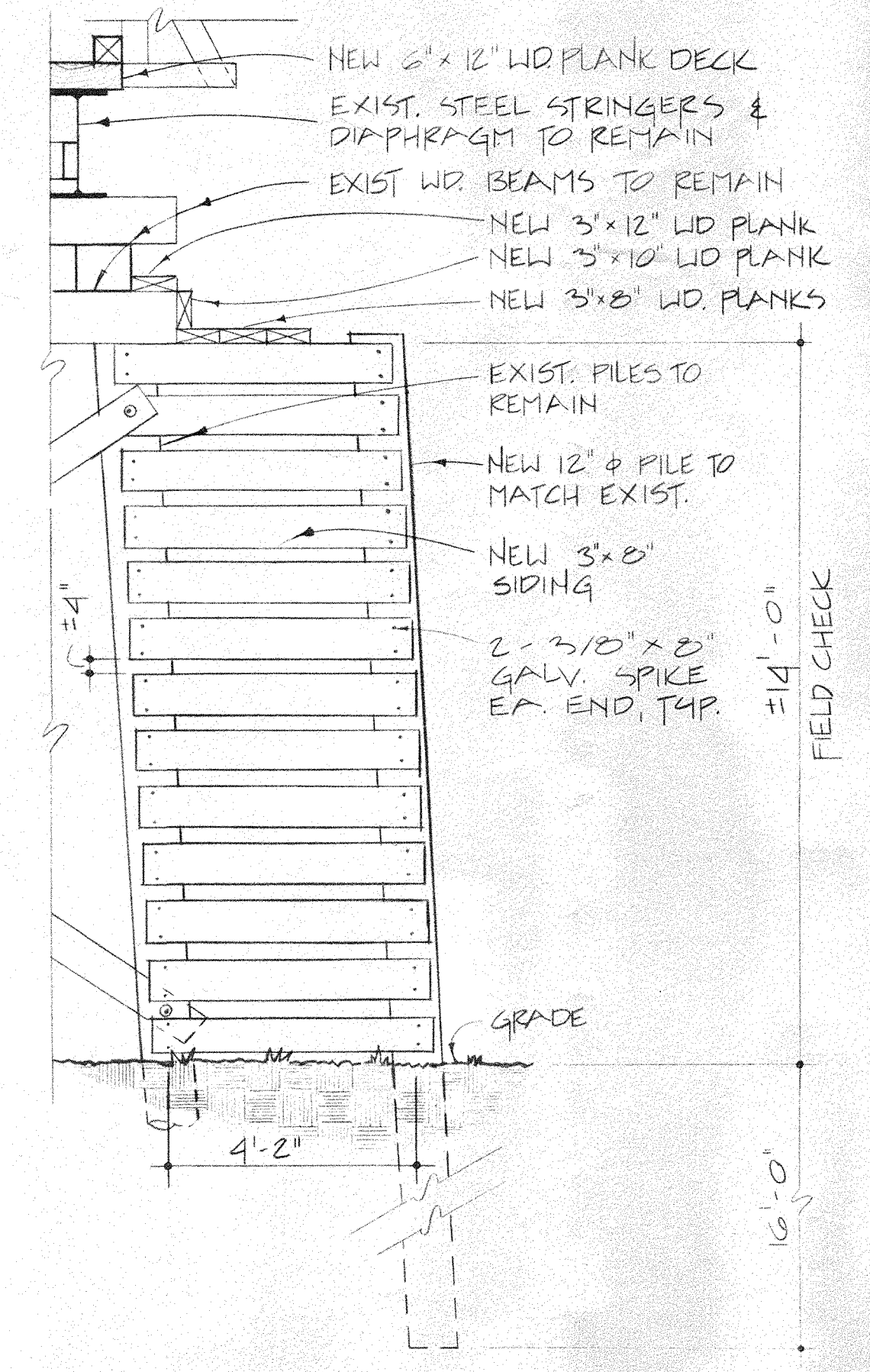
EXIST. STEEL STRINGERS & DIAPHRAGM
SCALE: 3/4" = 1'-0"



3 CROSS SECTION
SCALE: 3/8" = 1'-0"



4 SECTION
SCALE: 3/8" = 1'-0"



7 SECTION - NEW WINGWALL
SCALE: 3/8" = 1'-0"

LEGEND

EA.	EACH
EXIST.	EXISTING
DIAG.	DIAGONAL
DIM.	DIMENSION
GAL.	GALVANIZED
TYP.	TYPICAL
W/	WITH
WD.	WOOD

"RECORD CONSTRUCTION DRAWING"

REVISIONS

NO.	DATE	REMARKS

Robert A. Mack
5-24-91
Exp. 11-30-92

R. A. NACK & ASSOCIATES, INC
ARCHITECT - ENGINEER
CARBONDALE, ILLINOIS

STATE OF ILLINOIS
CAPITAL DEVELOPMENT BOARD

BRIDGE SECTIONS AND DETAILS
FORT MASSAC STATE PARK
REHABILITATE BRIDGE

PROJECT NO.
CDB-102-728-016
DATE 5-21-91
SHEET NO.
A-2
OF 2 SHEETS

DOC FILE # 5-90-29