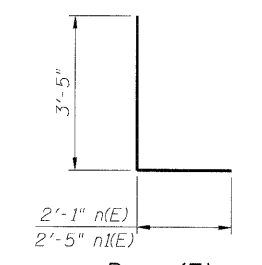
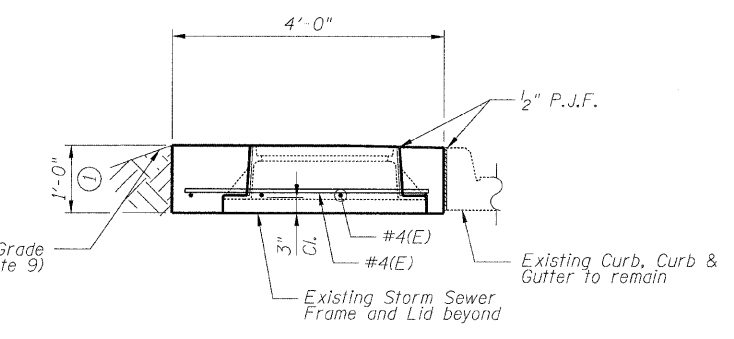
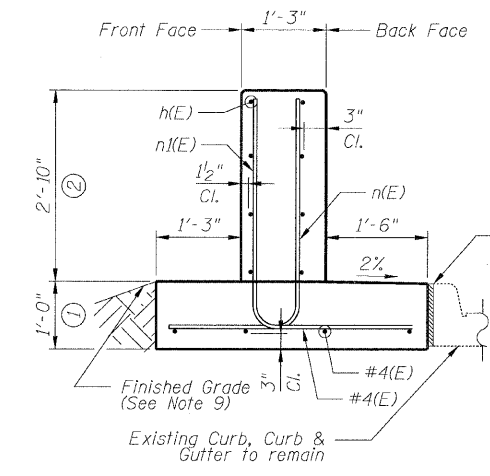
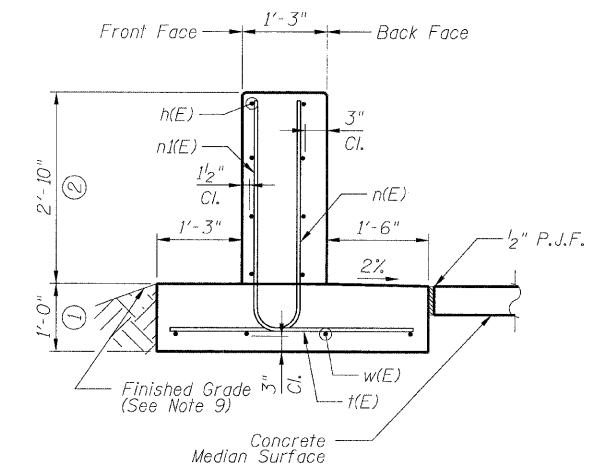
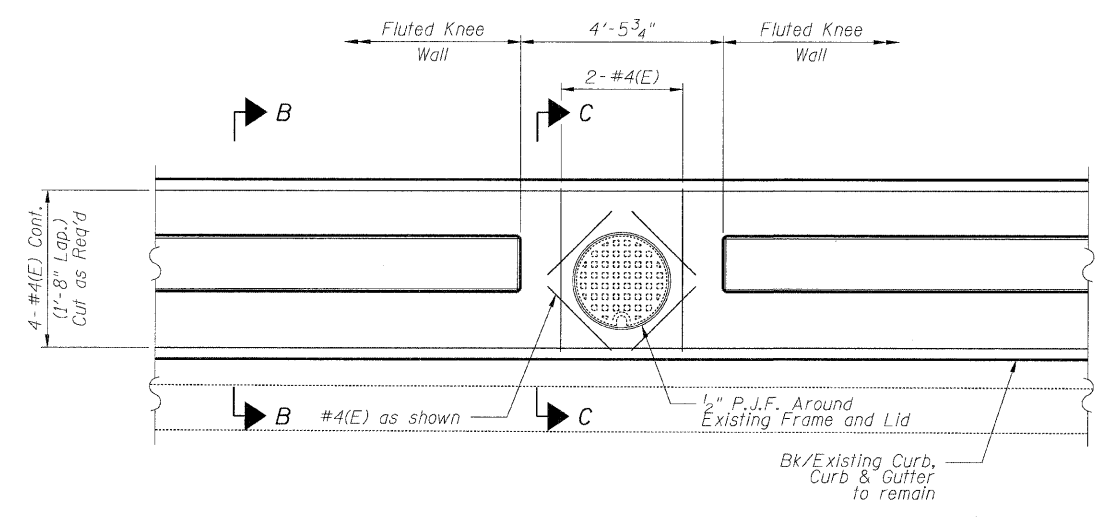
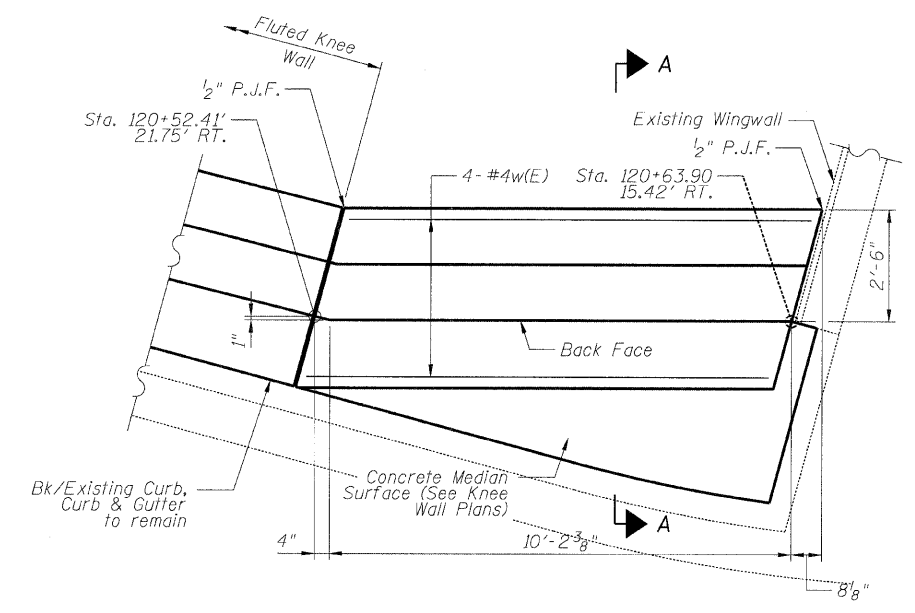
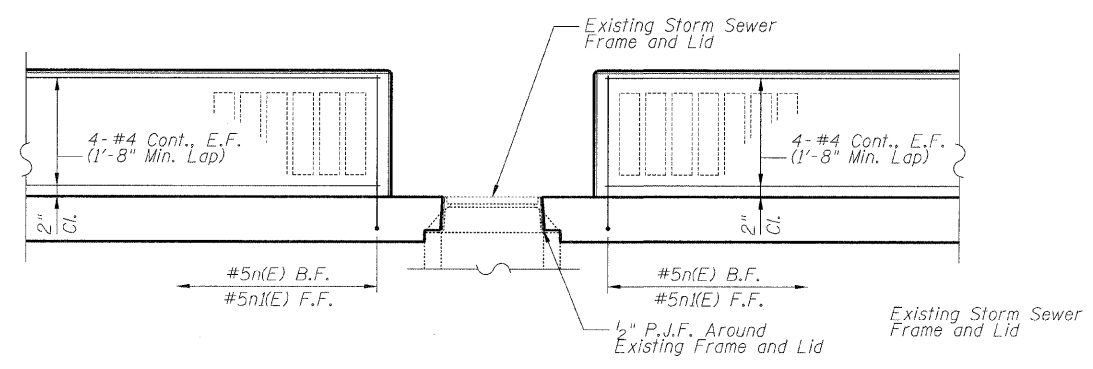
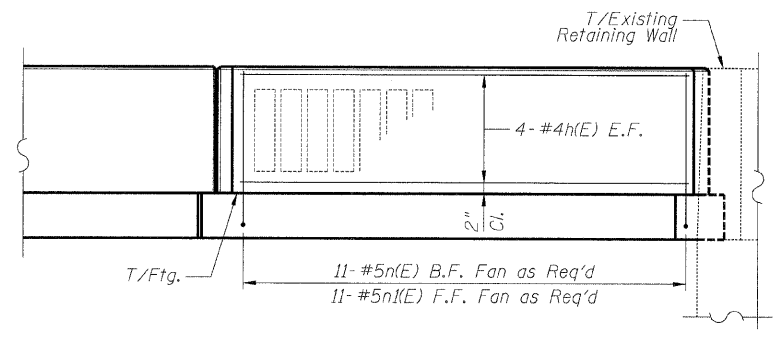


F.A.I.	SECTION	COUNTY	TOTAL SHEETS	SHEET NO.
94/90	*	COOK	25	14
STA.	TO STA.			
FED. ROAD DIST. NO.	ILLINOIS FED. AID PROJECT			

60A00

DETAIL A REINFORCEMENT SCHEDULE AND BILL OF MATERIAL

Bar	No.	Size	Length	Shape
n(E)	8	#4	10'-3"	—
n(E)	13	#5	5'-6"	L
n(E)	13	#5	5'-10"	L
w(E)	4	#4	10'-3"	—
Item	Unit	Qty.		
① Concrete Structures	Cu. Yd.	1.6		
② Concrete Superstructure	Cu. Yd.	1.1		
Reinforcement Bars, Epoxy Coated	Pound	240		
Rustication Finish	Sq. Ft.	17		
Protective Coat	Sq. Yd.	7		



Bar n(E) & n(E)

SECTION A-A

SECTION B-B

SECTION C-C

NOTES:

- All stations and offsets measured from S. Wentworth Ave. @.
- Concrete: $f'c = 3500$ psi
- Provide California Finish on top of foundation between stem and Frontage Road. See Roadway Details
- At locations where Fluted Knee Wall abuts a rigid structure, a 1" thick Preformed Expansion Joint Filler conforming to the shape of the structure shall be installed between the wall and the structure.
- Apply Protective Coat to top and front face of stem and top of Frontage Road side of foundation.
- For Fluted Knee Wall standard details, see Sheet SD-1
- B.F. = Back Face
F.F. = Front Face
E.F. = Each Face
- Shape finished grade as required to match existing conditions.
- P.J.F. included in cost of concrete structures.

REVISIONS	
NAME	DATE

SHEET SD-2

ILLINOIS DEPARTMENT OF TRANSPORTATION
F.A.I. 94/90 (DAN RYAN EXPRESSWAY)
NORTHBOUND KNEE WALLS (35TH ST TO 33RD ST)

DETAIL A & DETAIL B

SCALE: N.T.S. DRAWN BY: PAH
DATE: 03/06/08 CHECKED BY: BLU

BOWMAN, BARRETT & ASSOCIATES INC.
CONSULTING ENGINEERS
Chicago, Illinois
312.228.0100
www.bbainc.com

W:\660\CONCRETE\35F\SHEETS\660_32F\SWS02.dwg 7:26:00 PM 3/6/2008