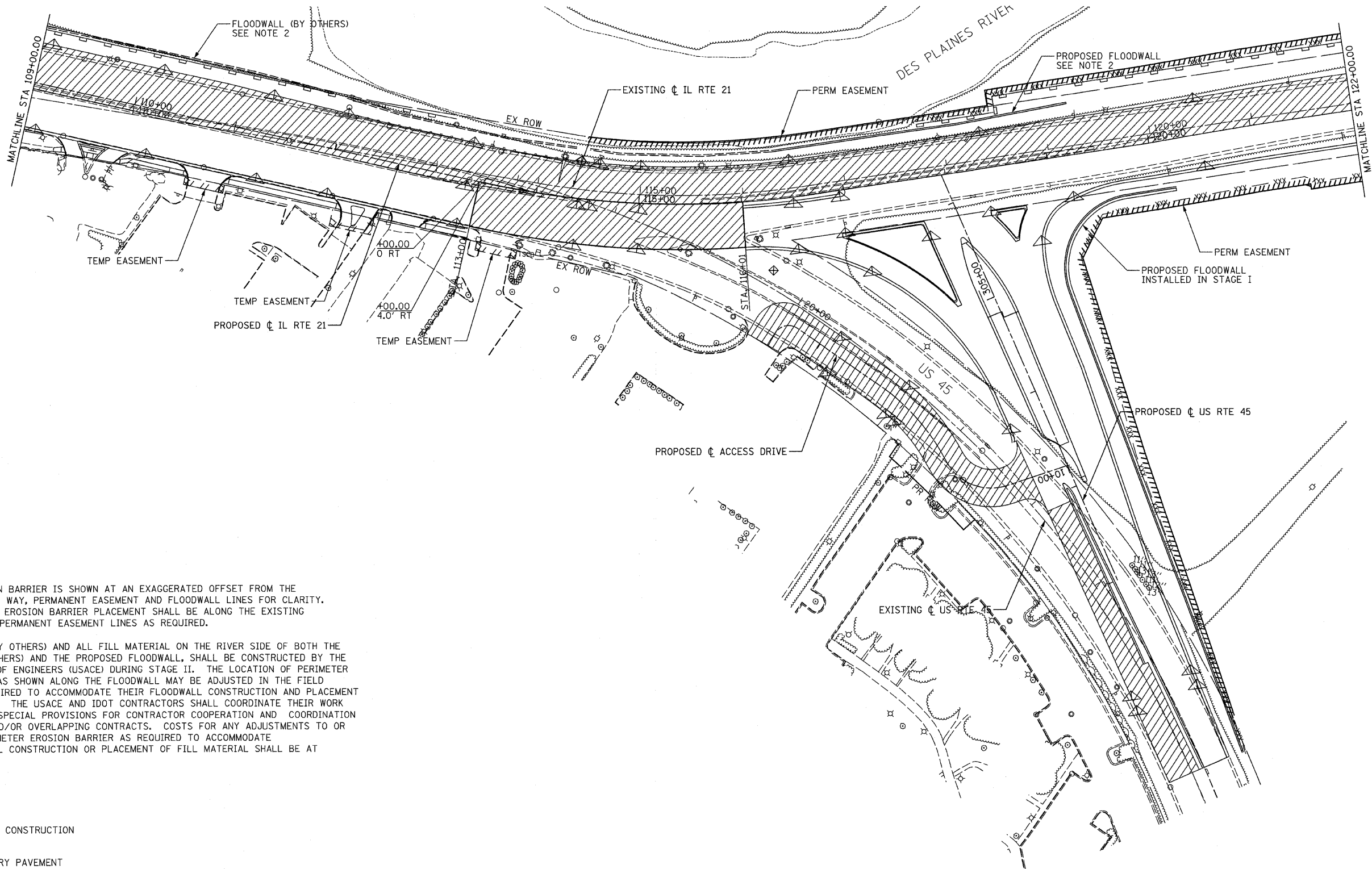


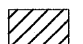





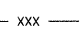

F.A.P. RTE.	SECTION	COUNTY	TOTAL SHEETS	SHEET NO.
374	3268F-R-1	COOK	279	55
STA. 109+00.00		TO STA. 122+00.00		
FED. ROAD DIST. NO.		ILLINOIS	FED. AID PROJECT	
CONTRACT NO. 62387				



**NOTES:**

1. PERIMETER EROSION BARRIER IS SHOWN AT AN EXAGGERATED OFFSET FROM THE EXISTING RIGHT OF WAY, PERMANENT EASEMENT AND FLOODWALL LINES FOR CLARITY. ACTUAL PERIMETER EROSION BARRIER PLACEMENT SHALL BE ALONG THE EXISTING RIGHT OF WAY OR PERMANENT EASEMENT LINES AS REQUIRED.
2. THE FLOODWALL (BY OTHERS) AND ALL FILL MATERIAL ON THE RIVER SIDE OF BOTH THE FLOODWALL (BY OTHERS) AND THE PROPOSED FLOODWALL, SHALL BE CONSTRUCTED BY THE U.S. ARMY CORPS OF ENGINEERS (USACE) DURING STAGE II. THE LOCATION OF PERIMETER EROSION BARRIER AS SHOWN ALONG THE FLOODWALL MAY BE ADJUSTED IN THE FIELD BY USACE AS REQUIRED TO ACCOMMODATE THEIR FLOODWALL CONSTRUCTION AND PLACEMENT OF FILL MATERIAL. THE USACE AND IDOT CONTRACTORS SHALL COORDINATE THEIR WORK ACTIVITIES. SEE SPECIAL PROVISIONS FOR CONTRACTOR COOPERATION AND COORDINATION WITH ADJACENT AND/OR OVERLAPPING CONTRACTS. COSTS FOR ANY ADJUSTMENTS TO OR ADDITION OF PERIMETER EROSION BARRIER AS REQUIRED TO ACCOMMODATE USACE'S FLOODWALL CONSTRUCTION OR PLACEMENT OF FILL MATERIAL SHALL BE AT USACE'S EXPENSE.

**LEGEND:**

-  STAGE II CONSTRUCTION
-  TEMPORARY PAVEMENT
-  INLET AND PIPE PROTECTION
-  INLET FILTERS
-  PERIMETER EROSION BARRIER
-  TEMPORARY DITCH CHECK
-  TEMPORARY FENCE
-  TREE TRUNK PROTECTION

REVISIONS	
NAME	DATE

ILLINOIS DEPARTMENT OF TRANSPORTATION  
**TEMPORARY EROSION CONTROL PLAN**

STAGE II - 2  
 ILLINOIS ROUTE 21  
 STA 109+00.00 TO STA 122+00.00

DATE: 02/5/08  
 DRAWN BY: RDT  
 CHECKED BY: GC

0 50' 100'  
 1" = 50'

**STV Incorporated** 200 W Monroe - Suite 1650  
 engineers/architects/scientists/construction managers Chicago, Illinois 60606