

F.A.P. RTE.	SECTION	COUNTY	TOTAL SHEETS	SHEET NO.
374	3268F-R-1	COOK	279	84
STA. TO STA.		ILLINOIS FED. AID PROJECT		
FED. ROAD DIST. NO.		CONTRACT NO. 62387		

**CONCRETE HEADWALL
BILL OF MATERIAL**

Bar	No.	Size	Length	Shape
b	1	#4	8'-0"	—
b1	1	#4	8'-4 1/2"	—
b2	2	#4	11'-0"	—
h	2	#4	12'-3"	—
v	8	#4	4'-8"	⌒
v1	6	#4	3'-6"	—
v2	8	#4	3'-10"	⌒

Item	Unit	Total
** SI Concrete	Cu.Yd.	1.8
** Reinforcement Bars, Epoxy Coated	Pound	110
Concrete Headwall	Each	1

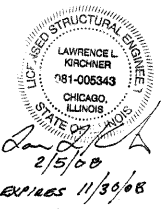
* Cost Included with Concrete Headwall

**JUNCTION CHAMBER (SPECIAL)
BILL OF MATERIAL**

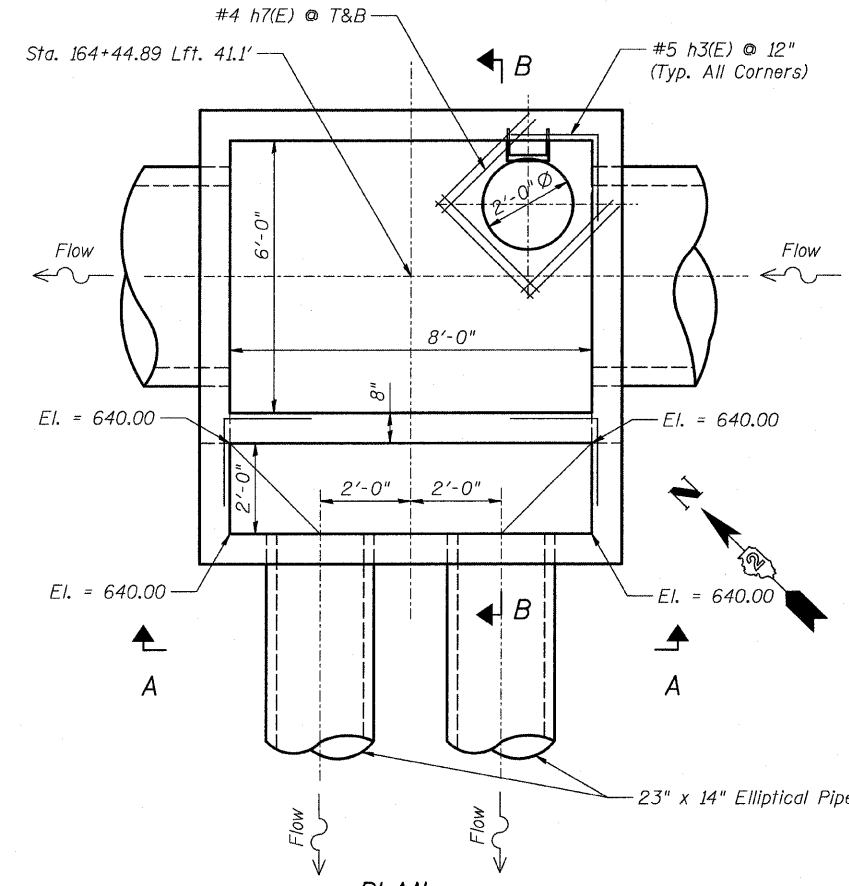
Bar	No.	Size	Length	Shape
a1(E)	19	#7	8'-8"	—
a2(E)	6	#4	7'-0"	—
a3(E)	7	#4	9'-8"	—
a4(E)	19	#7	11'-2"	—
h(E)	18	#6	9'-0"	—
h1(E)	14	#5	9'-0"	—
h2(E)	27	#6	9'-8"	—
h3(E)	34	#4	3'-10"	⌒
h4(E)	10	#6	3'-0"	—
h5(E)	20	#5	3'-7"	⌒
h6(E)	8	#4	7'-0"	—
h7(E)	12	#4	4'-0"	—
h9(E)	10	#4	9'-0"	—
v(E)	16	#4	6'-5"	—
v1(E)	46	#4	2'-3"	—
v2(E)	14	#4	5'-5"	—
v3(E)	14	#4	1'-6"	—
v4(E)	8	#4	3'-5"	—

Item	Unit	Total
** Class SI Concrete	Cu.Yd.	10.3
* Structure Excavation	Cu.Yd.	53
** Reinforcement Bars, Epoxy Coated	Pound	2170
Junction Chamber	Each	1

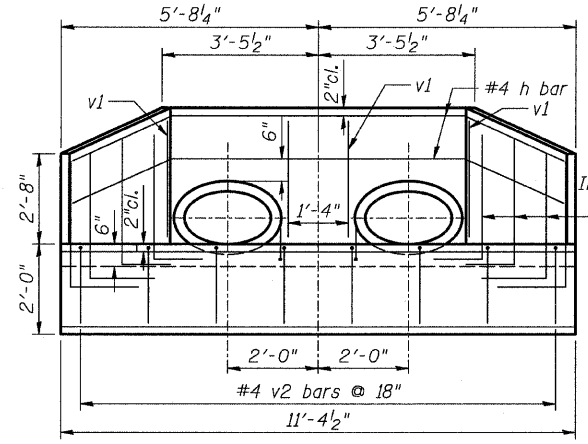
* Cost Included with Junction Chamber (Special).



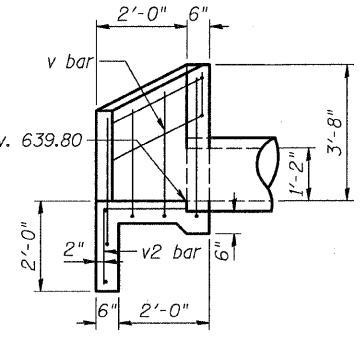
- NOTES: 1. Reinforcement bars shall conform to the requirements of AASHTO.
 2. Reinforcement bars marked (E) shall be epoxy coated.
 3. Cost of Iron Steps to be included in the cost of the Junction Chamber (Special).



**PLAN
JUNCTION CHAMBER (SPECIAL)**

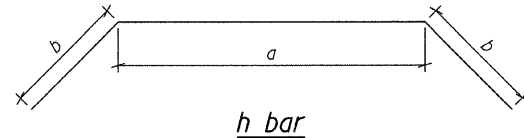


ELEVATION

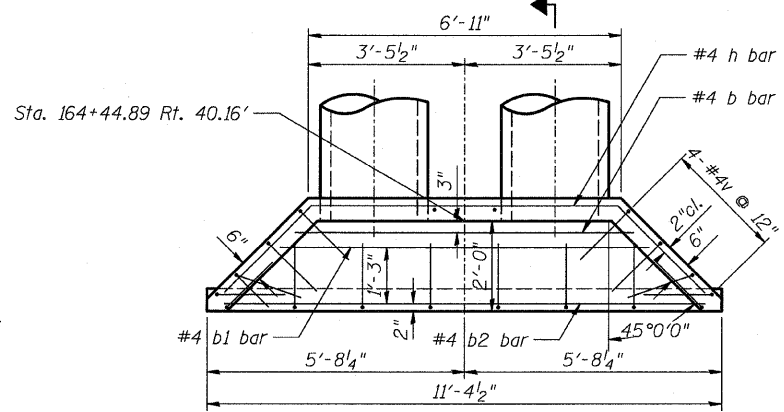


SECTION C-C

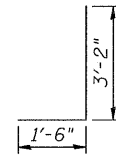
Mark	a	b
h	6'-5"	2'-11"



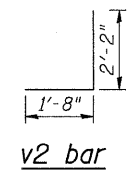
h bar



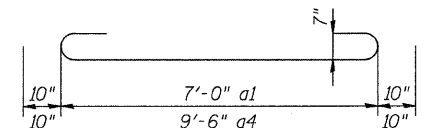
**PLAN
CONCRETE HEADWALL**



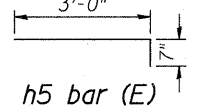
v bar



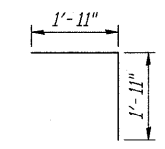
v2 bar



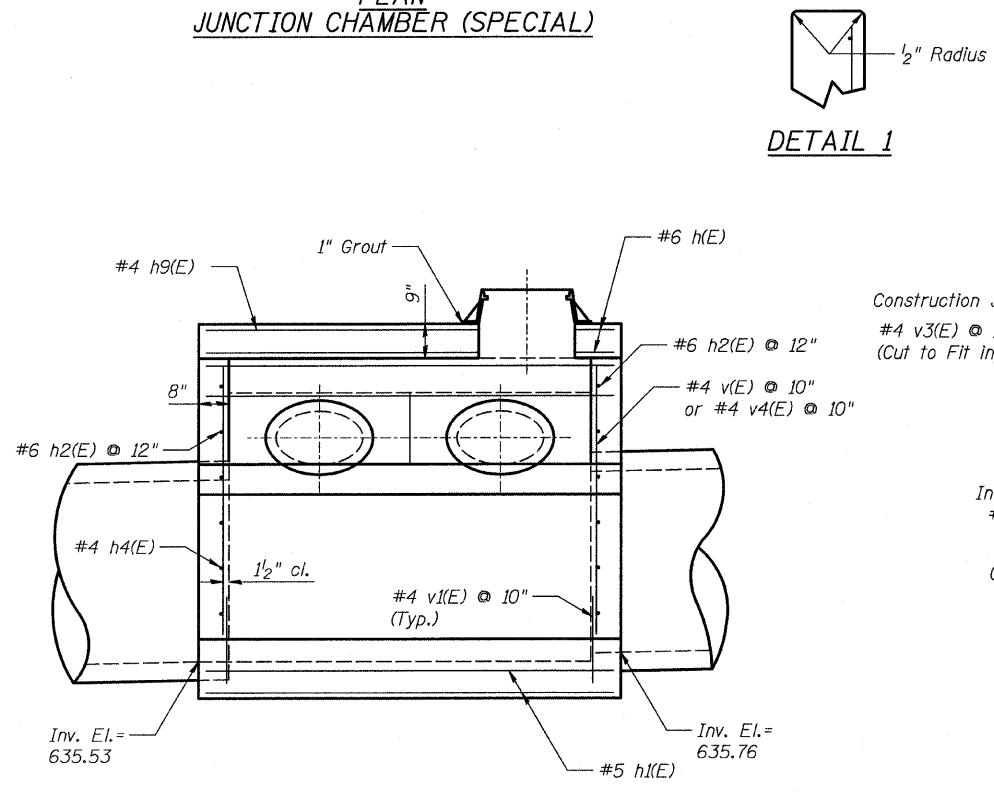
**a4 bar (E)
a1 bar (E)**



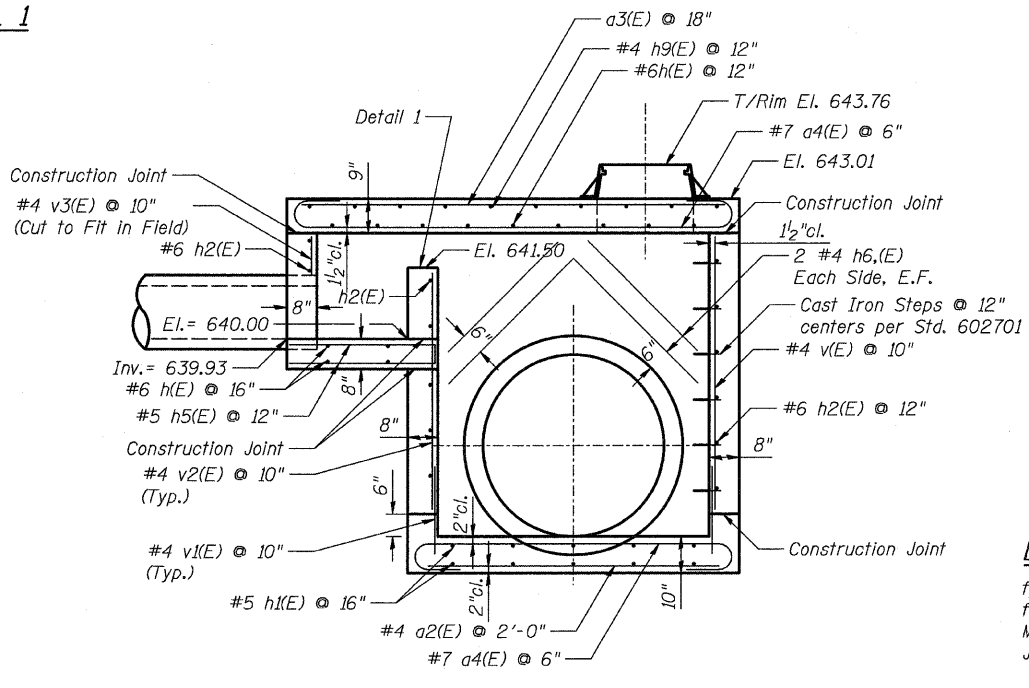
h5 bar (E)



h3 bar (E)



SECTION A-A



SECTION B-B

DESIGN STRESSES

fy = 60 KSI
 fc = 3500 psi
 Max Soil Pressure under Junction Chamber = 2 KSF

REVISIONS	
NAME	DATE

ILLINOIS DEPARTMENT OF TRANSPORTATION
 ILLINOIS ROUTE 21
 MILWAUKEE AVE. OVER DESPLAINES RIVER
 F.A.P. ROUTE 374 SECTION 3268F-R-1
 COOK COUNTY
**JUNCTION CHAMBER (SPECIAL)
 AND CONCRETE HEADWALL**
 SCALE: N.T.S. DESIGNED: JAN DRAWN: GRJ/JR
 DATE: 10-07 CHECKED: JAN CHECKED: JAN

