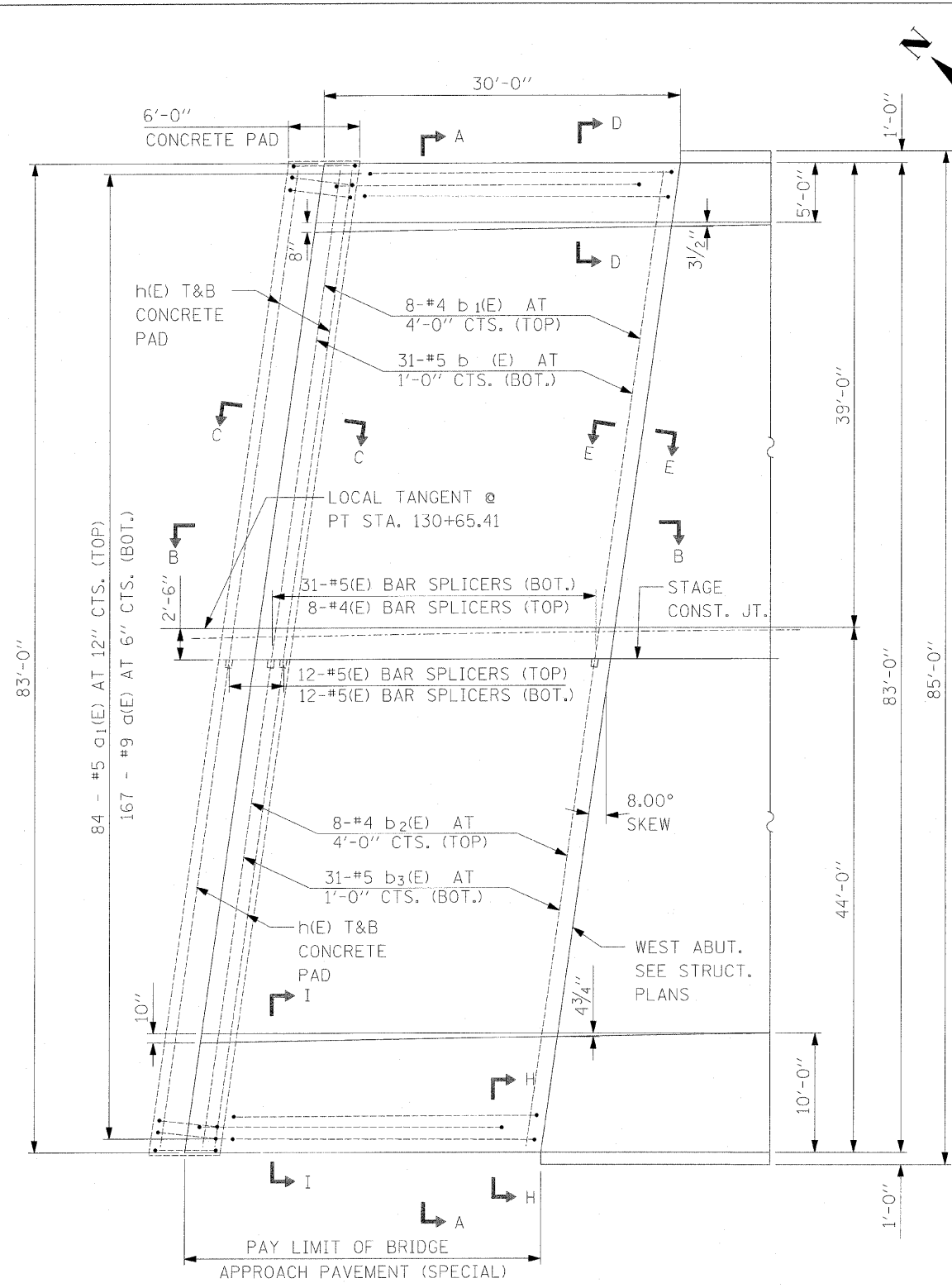
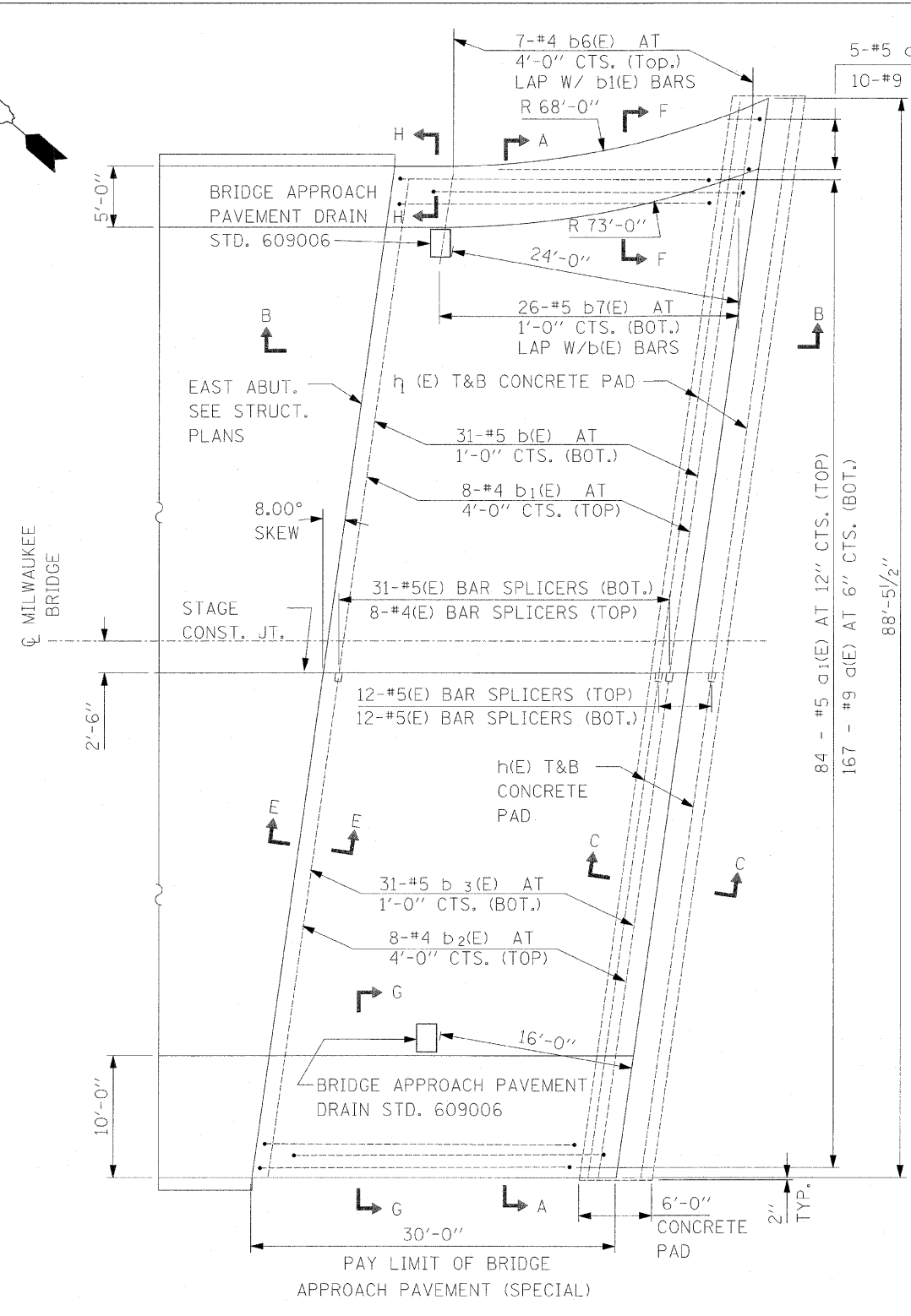


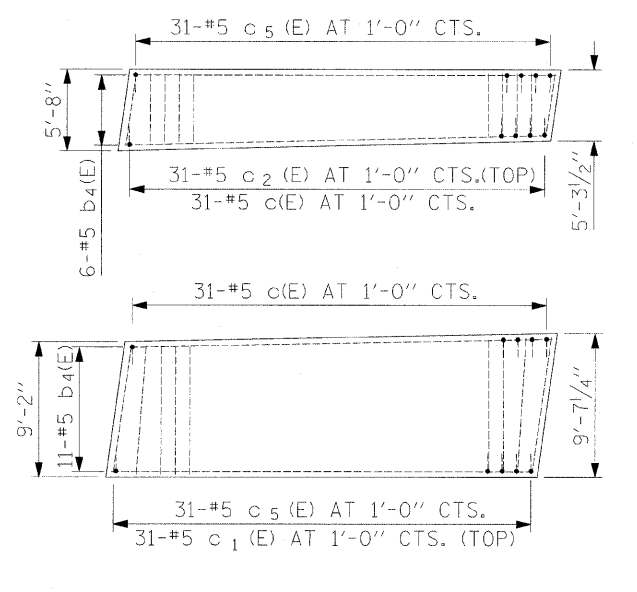
|                     |           |                           |              |           |
|---------------------|-----------|---------------------------|--------------|-----------|
| F.A.P. RTE.         | SECTION   | COUNTY                    | TOTAL SHEETS | SHEET NO. |
| 374                 | 3268F-R-1 | COOK                      | 279          | 129       |
| STA.                |           | TO STA.                   |              |           |
| FED. ROAD DIST. NO. |           | ILLINOIS FED. AID PROJECT |              |           |
| CONTRACT NO. 62387  |           |                           |              |           |



BRIDGE APPROACH PAVEMENT PLAN - NORTH

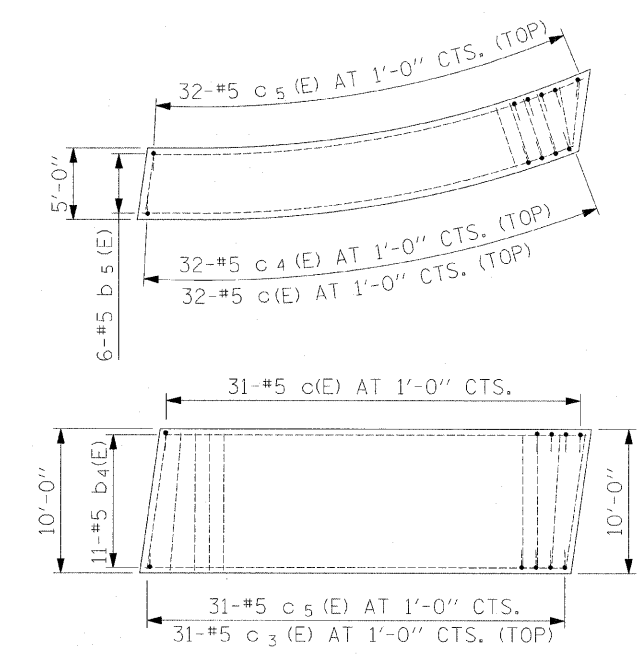


BRIDGE APPROACH PAVEMENT PLAN - SOUTH



NORTH SIDEWALK PLAN

Bar b4(E) cut in place.



SOUTH SIDEWALK PLAN

GENERAL NOTES

1. SEE STANDARD 421001 FOR REINFORCEMENT DETAILS NOT SHOWN.
2. SEE STANDARD 420001 FOR DETAILS OF JOINTS NOT SHOWN.
3. REFER TO STRUCTURAL BRIDGE PLANS FOR ABUTMENT, WINGWALL, AND PARAPET DETAILS.
4. BLOCK OUT CONCRETE SLEEPER SLAB FOR STEEL PLATE BEAM GUARD RAIL POSTS. COORDINATE WITH STANDARD 631031-03.

| REVISIONS |      |
|-----------|------|
| NAME      | DATE |
|           |      |
|           |      |
|           |      |
|           |      |
|           |      |
|           |      |
|           |      |
|           |      |
|           |      |

ILLINOIS DEPARTMENT OF TRANSPORTATION  
 IL ROUTE 21  
 MILWAUKEE AVE. OVER DESPLAINES RIVER  
 COOK COUNTY - F.A.P. ROUTE 374  
 SN 016-6566

BRIDGE APPROACH PAVEMENT

SCALE: NOT TO SCALE  
 DATE 02/05/08  
 DRAWN BY BTO  
 CHECKED BY JAN

**STV Incorporated** 200 W Monroe - Suite 1650  
 Chicago, Illinois 60606  
 engineers/architects/scientists/construction managers