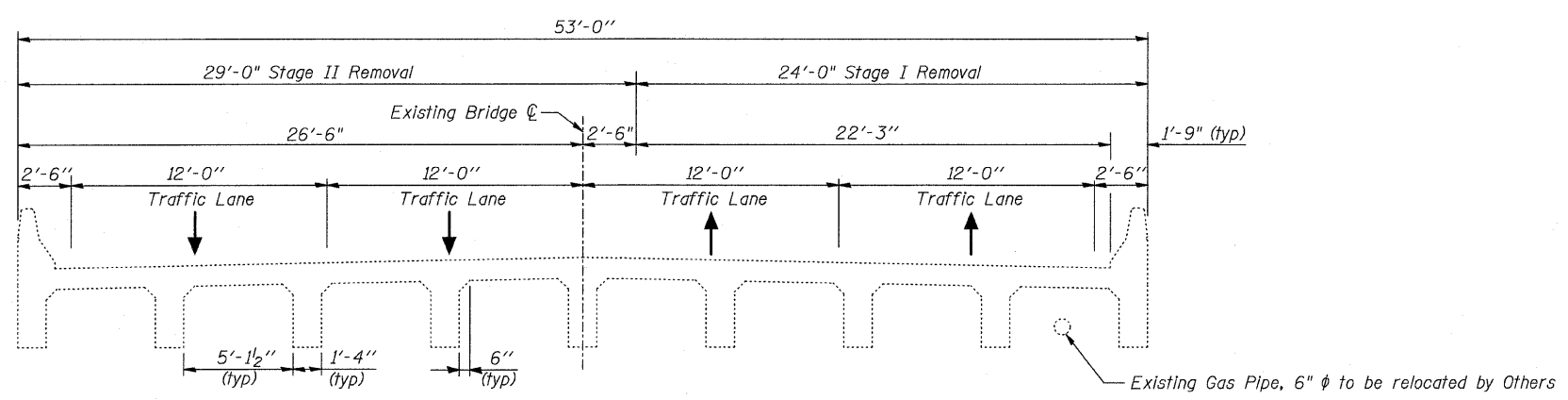
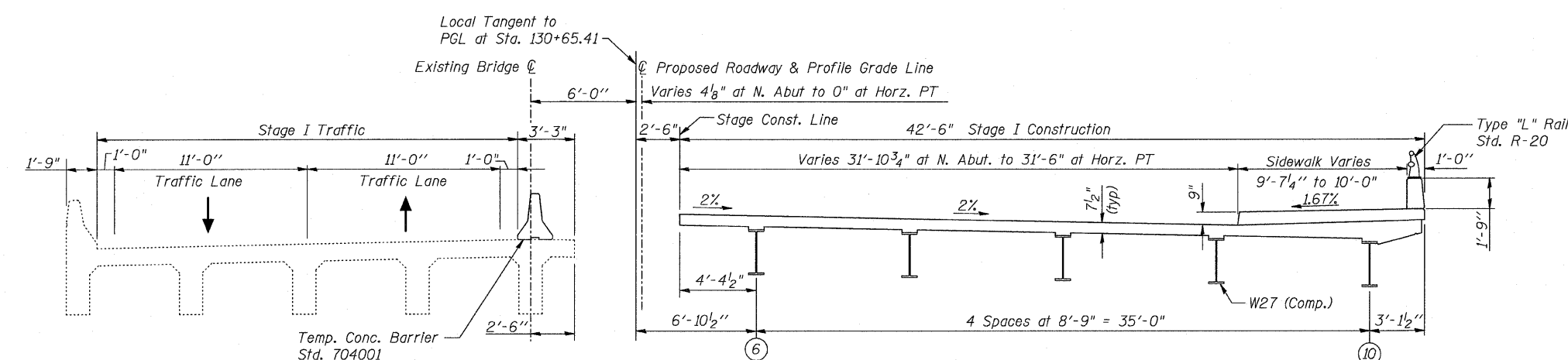


F.A.P. RTE.	SECTION	COUNTY	TOTAL SHEETS	SHEET NO.
374	3268F-R-1	COOK	279	136
STA.		TO STA.		
FED. ROAD DIST. NO.		ILLINOIS FED. AID PROJECT		

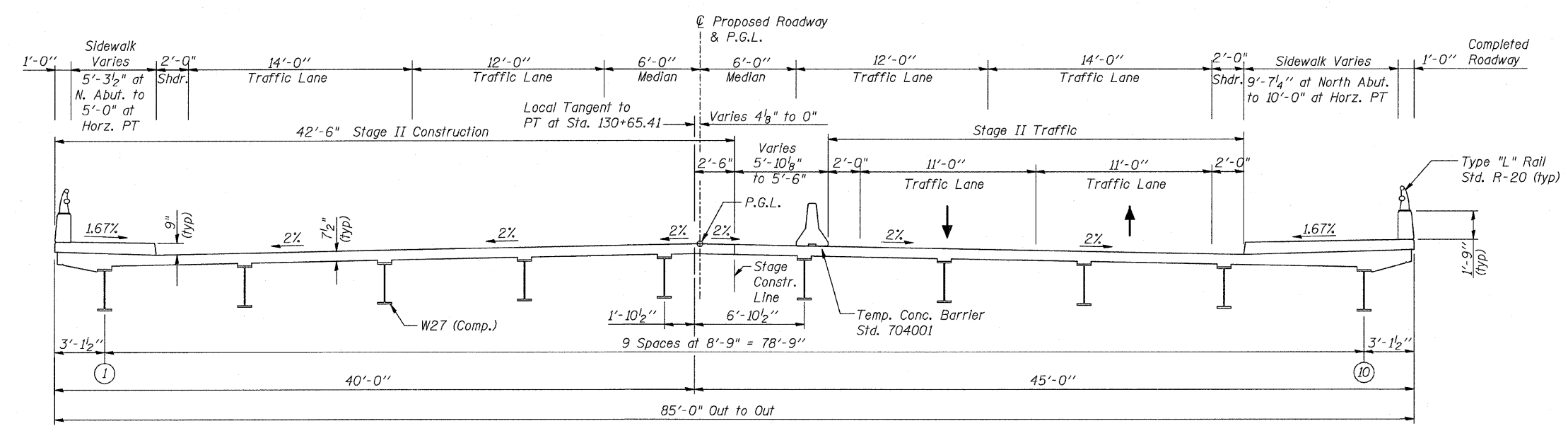
CONTRACT NO. 62387



**EXISTING BRIDGE CROSS SECTION**  
(Looking South)



**STAGE I CONSTRUCTION**  
(Looking South)  
(Horizontal Dimensions at Right L's to Local Tangent Line)



**STAGE II CONSTRUCTION AND PROPOSED BRIDGE CROSS SECTION**  
(Looking South)  
(Horizontal Dimensions at Right L's to Local Tangent Line)

REVISIONS	
NAME	DATE



ILLINOIS DEPARTMENT OF TRANSPORTATION  
ILLINOIS ROUTE 21  
MILWAUKEE AVE. OVER DES PLAINES RIVER  
F.A.P. ROUTE 374 SECTION 3268F-R-1  
COOK COUNTY, SN 016-6566  
STAGE CONSTRUCTION SECTIONS  
DESIGN BY: AWH DRAWN BY: AWH  
DATE: 02/05/08 CHECKED BY: JAN CHECKED BY: JAN