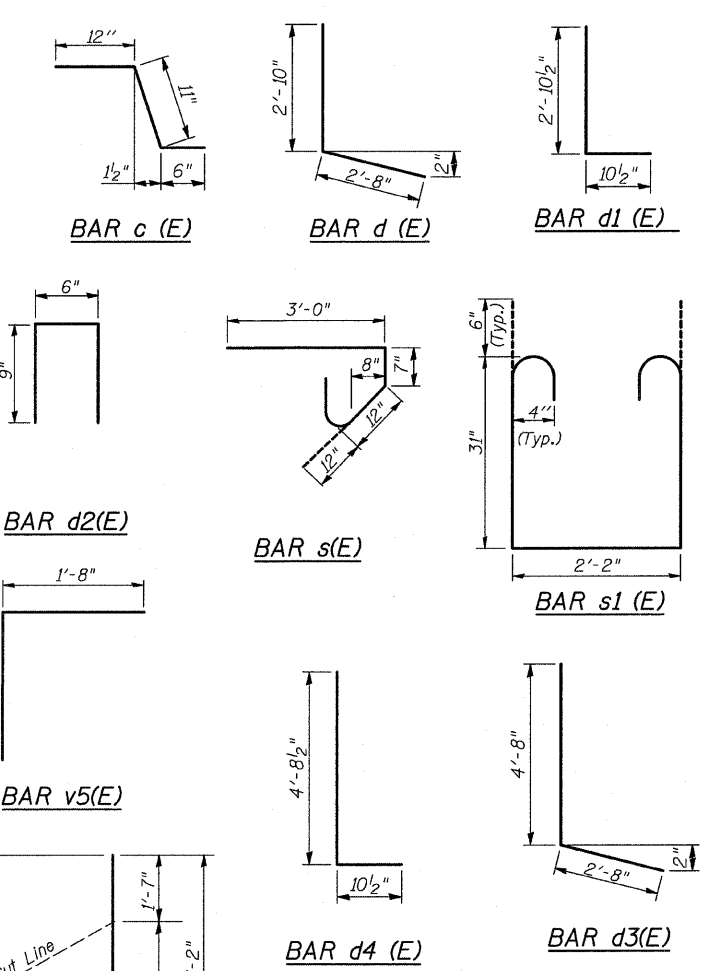
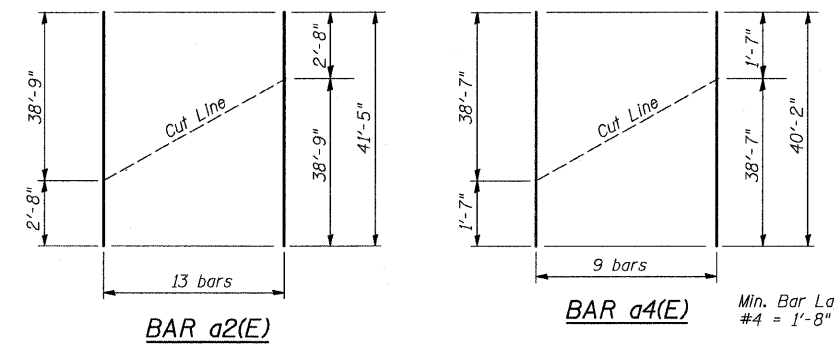
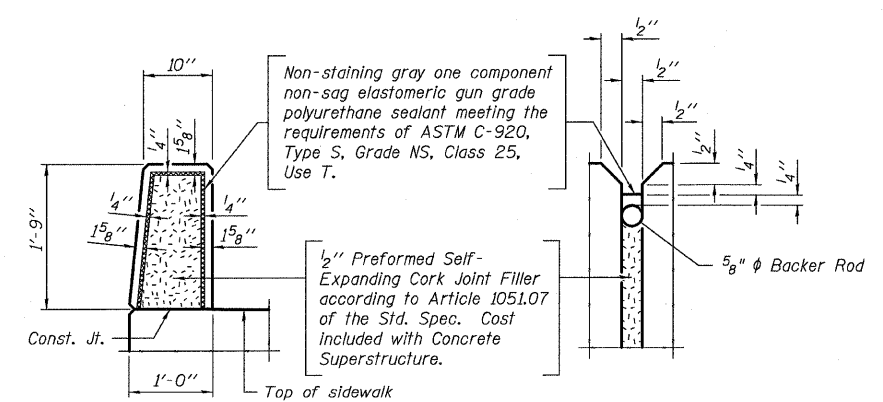
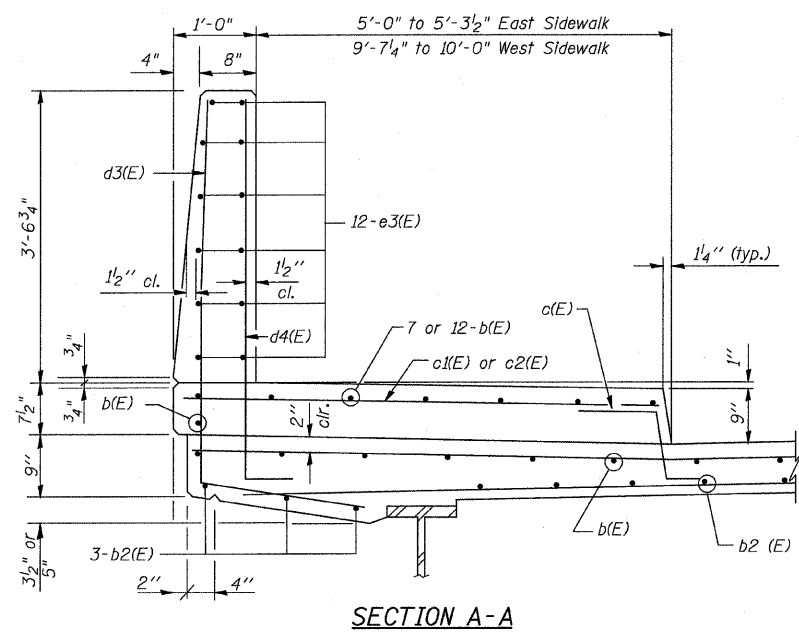
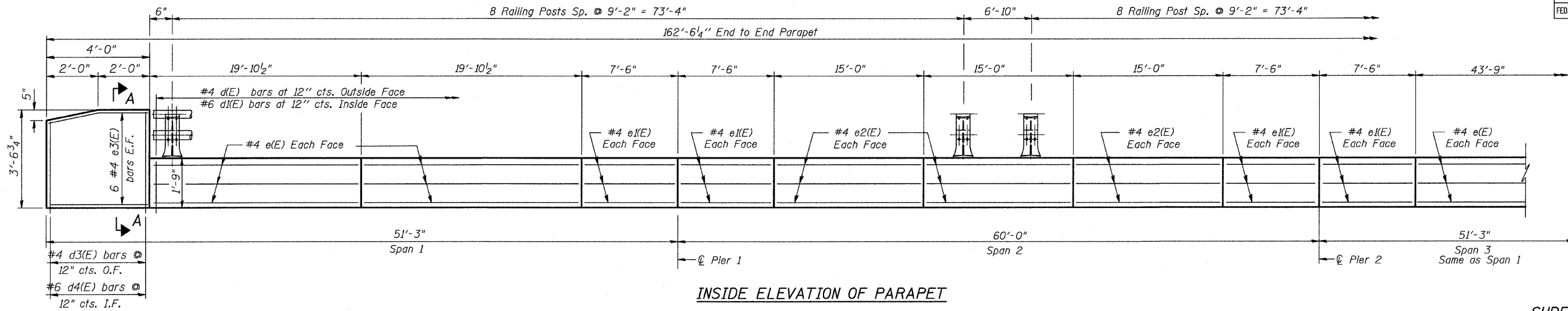


F.A.P. RTE.	SECTION	COUNTY	TOTAL SHEETS	SHEET NO.
374	3268F-R-1	COOK	279	145
STA.	TO STA.			
FED. ROAD DIST. NO.	ILLINOIS		FED. AID PROJECT	

CONTRACT NO. 62387



**SUPERSTRUCTURE BILL OF MATERIAL**

Bar	No.	Size	Length	Shape
a1(E)	752	#5	42'-1"	—
a2(E)	26	#5	41'-5"	—
a3(E)	538	#5	41'-8"	—
a4(E)	18	#5	40'-2"	—
a5(E)	8	#5	42'-6"	—
b(E)	530	#5	34'-3"	—
b1(E)	168	#6	20'-0"	—
b2(E)	522	#5	28'-10"	—
c(E)	326	#5	2'-5"	┌
c1(E)	163	#5	10'-7"	—
c2(E)	163	#5	5'-7"	—
d(E)	320	#4	5'-6"	└
d1(E)	320	#6	3'-9"	└
d2(E)	68	#4	2'-0"	└
d3(E)	20	#4	7'-4"	└
d4(E)	20	#6	5'-7"	└
e(E)	48	#4	19'-8"	—
e1(E)	48	#4	7'-3"	—
e2(E)	36	#4	14'-9"	—
e3(E)	48	#4	3'-9"	—
m(E)	8	#6	41'-7"	—
m1(E)	12	#6	42'-7"	—
m2(E)	40	#6	10'-9"	—
m3(E)	18	#6	8'-6"	—
m4(E)	4	#6	2'-10"	—
s(E)	174	#5	5'-7"	└
s1(E)	156	#4	8'-4"	└
v5(E)	170	#5	3'-5"	└
Reinforcement Bars, Epoxy Coated		Pound	111,200	
Concrete Superstructure		Cu. Yd.	480	

Reinforcement bars designated (E) shall be epoxy coated.

REVISIONS	
NAME	DATE

ILLINOIS DEPARTMENT OF TRANSPORTATION  
ILLINOIS ROUTE 21  
MILWAUKEE AVE. OVER DES PLAINES RIVER  
F.A.P. ROUTE 374 SECTION 3268F-R-1  
COOK COUNTY, SN 016-6566

PARAPET ELEVATION & B.O.M.

DESIGN BY: AWH DRAWN BY: AWH  
DATE: 02/05/08 CHECKED BY: JAW CHECKED BY: JAW

**STV Incorporated**  
Engineers/Architects/Planners/Construction Managers  
200 W. Monroe Street, Suite 1650  
Chicago, IL 60606-5015  
312/553-0653, FAX 312/553-0661