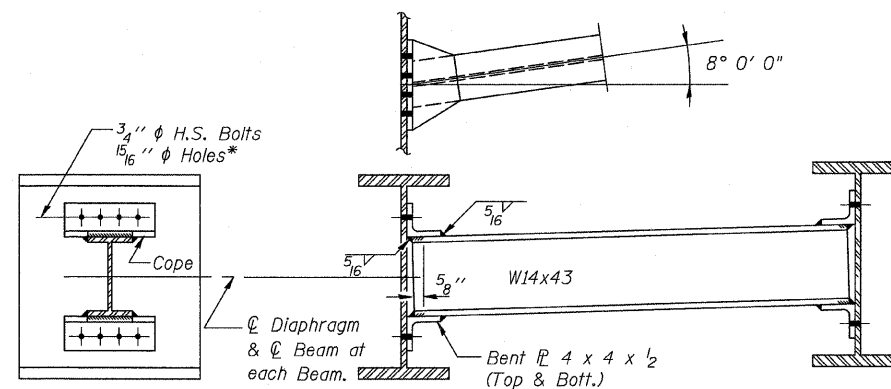


F.A.P. RTE.	SECTION	COUNTY	TOTAL SHEETS	SHEET NO.
374	3268F-R-1	COOK	279	148
STA.		TO STA.		
FED. ROAD DIST. NO.	ILLINOIS	FED. AID PROJECT		

CONTRACT NO. 62387

FOR INFORMATION ONLY.
INCLUDED IN BEAM FABRICATION
CONTRACT

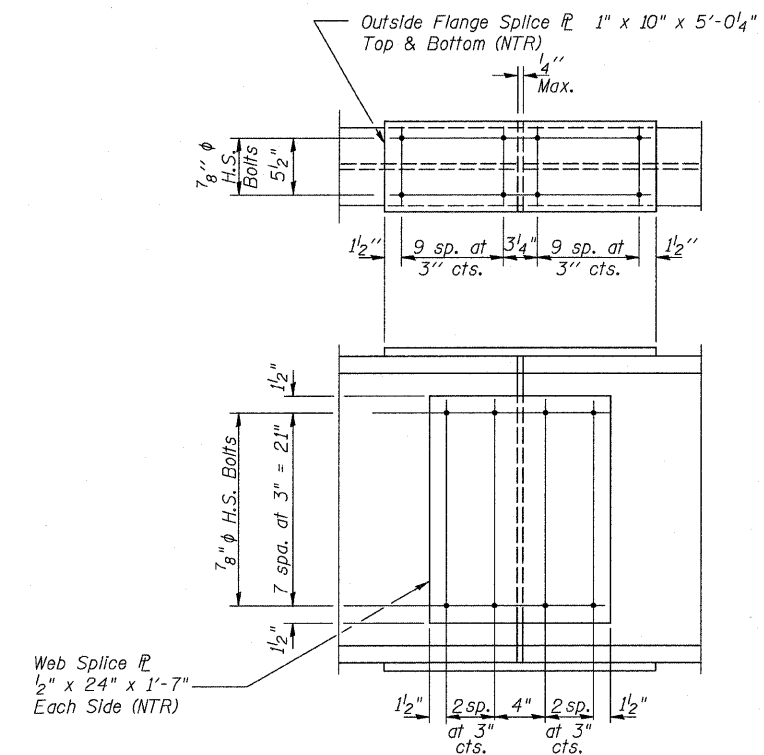


DIAPHRAGM D1
54-Required

* Provide 1 5/16" x 2" vertical slotted holes in angles for diaphragms in stage construction bay (West Side of Beam 5).

Notes:

- 1) Two hardened washers shall be required over all oversize holes for diaphragms.
- 2) All splice plates shall conform to the supplemental requirements for Notch Toughness Zone 2. (NTR) in accordance with the General Notes.
- 3) Structural steel for diaphragms, filler plates and connection angles shall be AASHTO M270 Grade 50W.
- 4) Structural steel for splice plates shall be AASHTO M270 Grade 50W.



SPLICE
20-Required

REVISIONS	
NAME	DATE

ILLINOIS DEPARTMENT OF TRANSPORTATION
ILLINOIS ROUTE 21
MILWAUKEE AVE. OVER DES PLAINES RIVER
F.A.P. ROUTE 374 SECTION 3268F-R-1
COOK COUNTY, SN 016-6566

DIAPHRAGM/SPLICE DETAILS
DESIGN BY: BTO DRAWN BY: BTO
DATE: 02/05/08 CHECKED BY: JAN CHECKED BY: JAN

STV Incorporated
Engineers/Architects/Planners/Construction Managers
200 W. Monroe Street, Suite 1650
Chicago, IL 60606-5015
312/553-0655, FAX 312/553-0661

User: rmc\m10858\rfm Date: 2/17/2008 7:48:48 AM