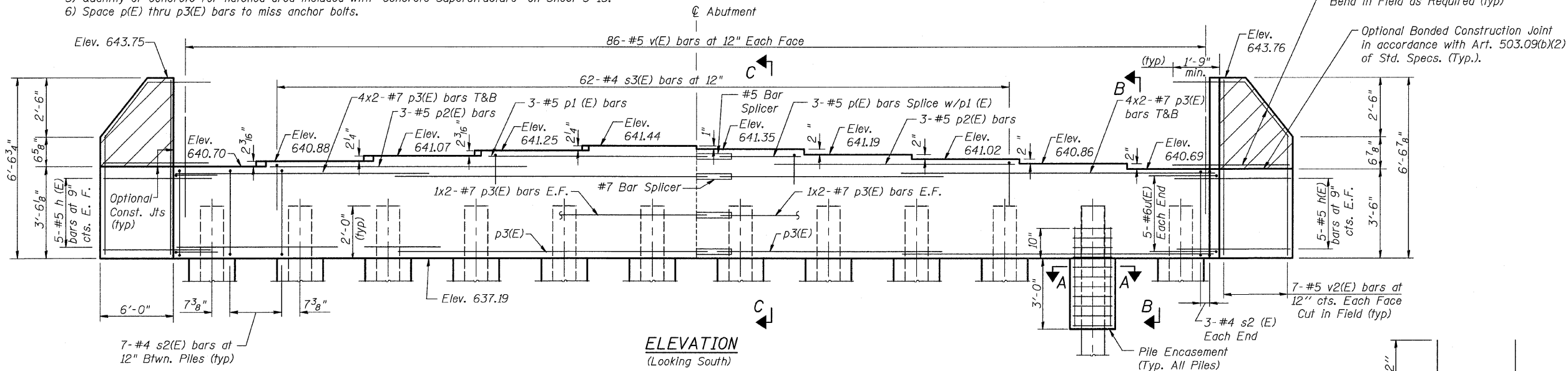


- Notes: 1) Four steps monolithically with cap.  
 2) Reinforcement bars designated (E) shall be epoxy coated.  
 3) All edges shall have 3/4" chamfers except as noted.  
 4) Hatched area to be poured with deck after beams are in place.  
 5) Quantity of concrete for hatched area included with "Concrete Superstructure" on Sheet S-13.  
 6) Space p(E) thru p3(E) bars to miss anchor bolts.

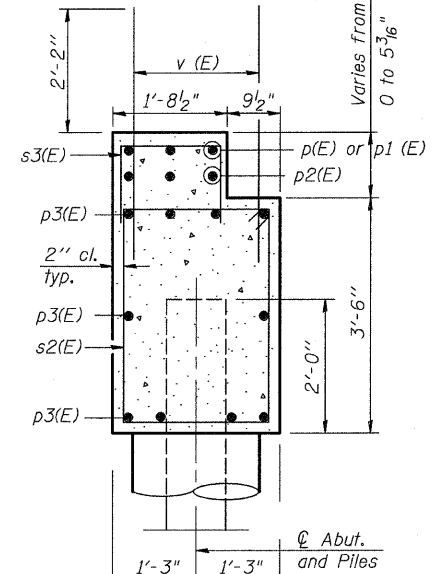
SHT. S-19 OF S-28

F.A.P. RTE.	SECTION	COUNTY	TOTAL SHEETS	SHEET NO.
374	3268F-R-1	COOK	279	151
STA.	TO STA.			
FED. ROAD DIST. NO.	ILLINOIS	FED. AID PROJECT		

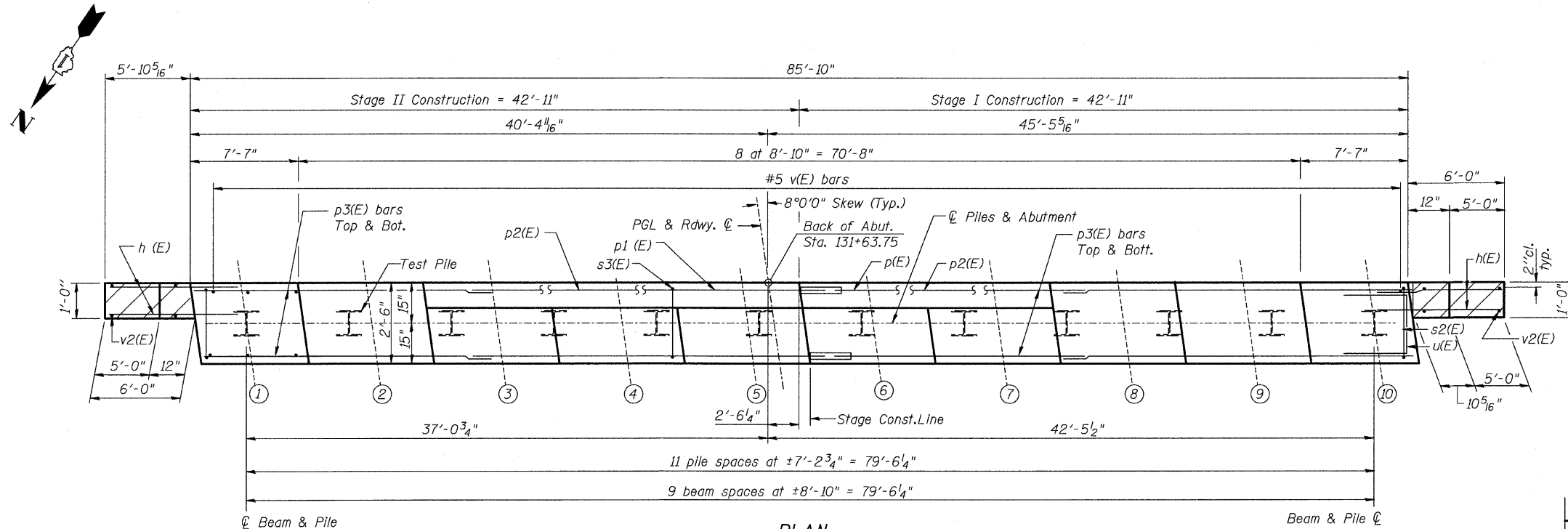
CONTRACT NO. 62387



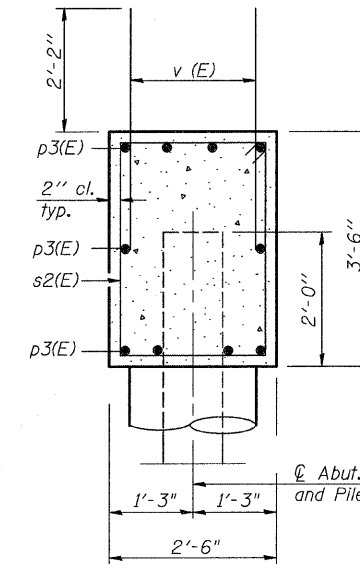
**ELEVATION**  
(Looking South)



**SECTION C-C**  
**ABUTMENT**



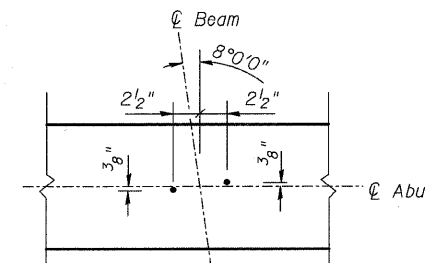
**PLAN**



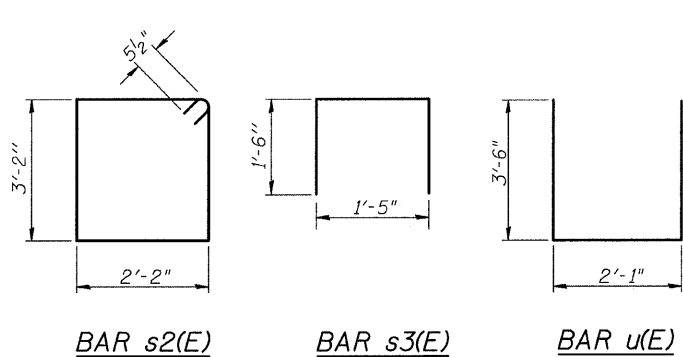
**SECTION B-B**  
**ABUTMENT**

**BILL OF MATERIAL**

Bar	No.	Size	Length	Shape	
h(E)	36	#5	8'-3"	—	
p(E)	3	#5	8'-6"	—	
p1(E)	3	#5	17'-4"	—	
p2(E)	6	#5	19'-10"	—	
p3(E)	40	#7	23'-0"	—	
s2(E)	83	#4	11'-7"	□	
s3(E)	62	#4	4'-5"	□	
u(E)	10	#6	9'-1"	□	
v(E)	172	#5	3'-3"	—	
v2(E)	28	#5	6'-3"	—	
Concrete Structures				Cu. Yd.	36.0
Reinforcement Bars, Epoxy Coated				Pound	4130
Structure Excavation				Cu. Yd.	137
Furnishing Steel Piles HP 10x42				Foot	495
Driving Piles				Foot	495
Pile Shoes				Each	11
Test Pile Steel HP 10x42				Each	1



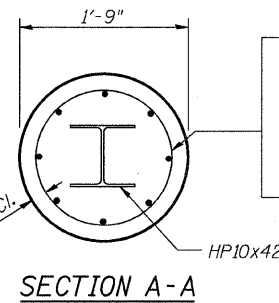
**ANCHOR BOLT SPACING**



**PILE DATA**

Type: Steel HP10x42 with Pile Shoes  
 Nominal Required Bearing: 498 kips  
 Allowable Resistance Available: 110 kips  
 Est. Length: 45 Feet  
 No. Required: 11  
 Plus 1 Test Pile

The Steel H-piles shall be according to AASHTO M270 Grade 50.



**SECTION A-A**  
**PILE ENCASEMENT DETAIL**

Welded wire fabric 6x6-W4.0xW4.0 weighing 58#/100 sq. ft  
 The cost of Excavation, Concrete Encasement and Reinforcement is included with furnishing piles. Form for encasement may be omitted when soil conditions will permit.

Min. Bar Splice Length  
 #5 = 2'-2"  
 #7 = 3'-5"

REVISIONS	
NAME	DATE



ILLINOIS DEPARTMENT OF TRANSPORTATION  
 ILLINOIS ROUTE 21  
 MILWAUKEE AVE. OVER DES PLAINES RIVER  
 F.A.P. ROUTE 374 SECTION 3268F-R-1  
 COOK COUNTY, SN 016-6566  
**SOUTH ABUTMENT**  
 DESIGN BY: AWH DRAWN BY: AWH  
 DATE: 02/05/08 CHECKED BY: BTO CHECKED BY: JAW