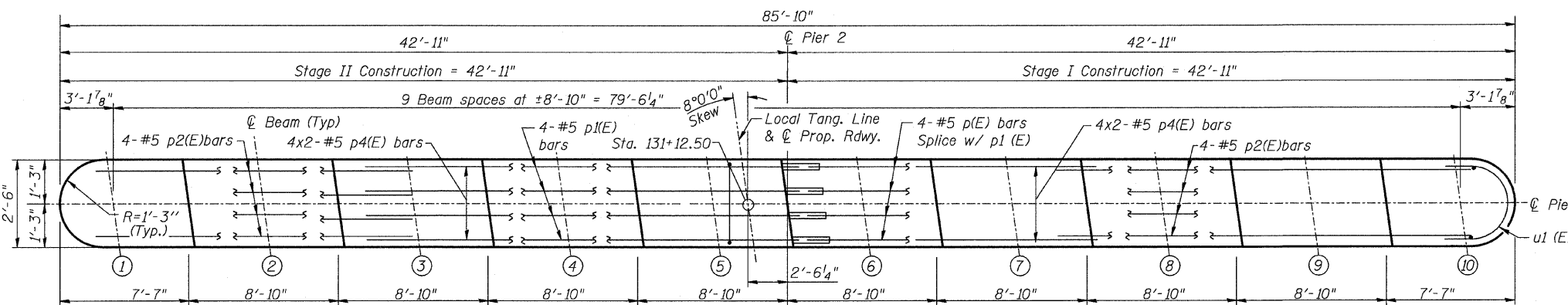
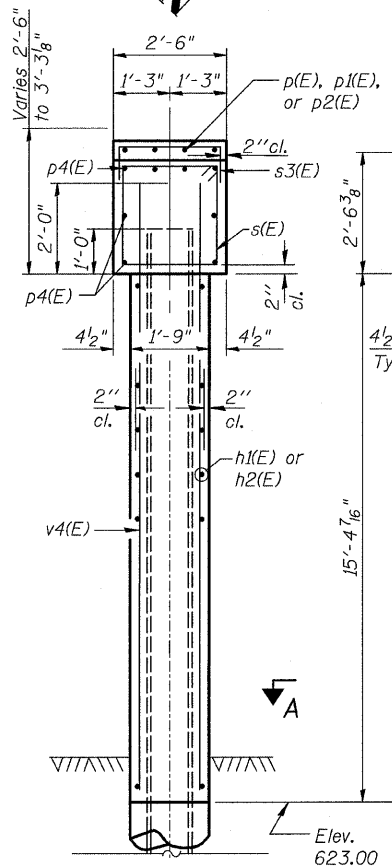


SHT. S-22 OF S-28

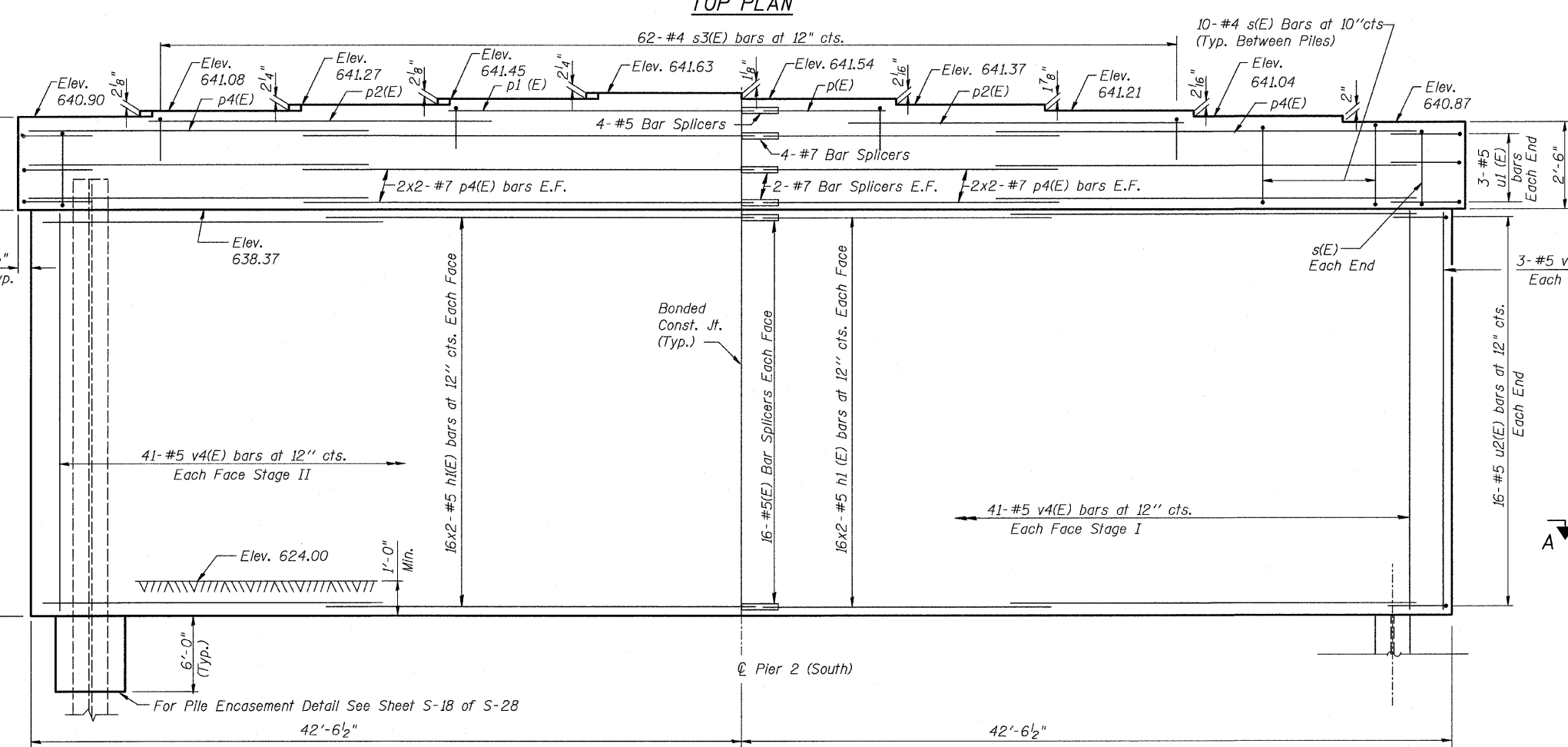
**Notes:**  
 All edges shall have standard 3/4" chamfer except as noted.  
 Space reinforcement in cap to miss anchor bolts.  
 Four steps monolithically with cap.  
 Minimum Rebar Splice Length:  
 #5 - 2'-2"  
 #7 - 3'-5"  
 Bars indicated thus 16x2-#5 h1(E) etc., indicates 16 lines of bars 2 lengths per line.



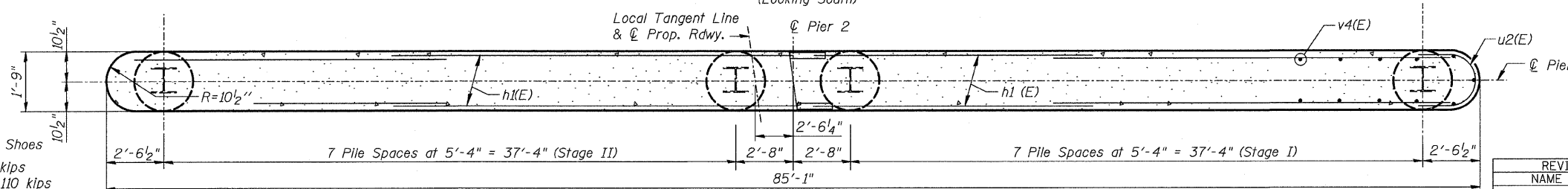
**TOP PLAN**



**END VIEW**



**ELEVATION**  
(Looking South)



**SECTION A-A**

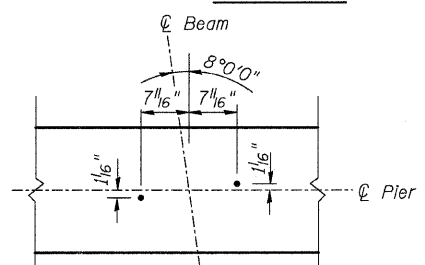
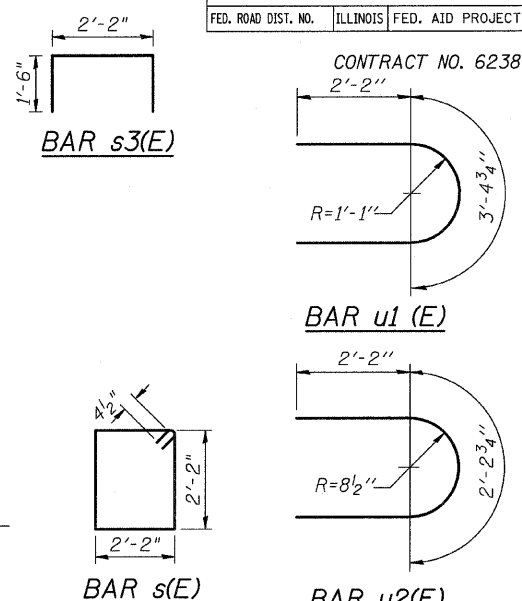
**PILE DATA**

Type: Steel HP 10x42 with Pile Shoes  
 Nominal Required Bearing: 498 kips  
 Allowable Resistance Available: 110 kips  
 Est. Length: 51 Feet  
 No. Required: 15 Plus 1 Test Pile

The Steel H-piles shall be according to AASHTO M270 Grade 50.

**NOTE:**

Forms shall be placed below Elev. 623.00 after excavation for pler walls. Reinforcement and Class SI Concrete Encasement shall be placed underwater into forms. The cost of class SI Concrete Encasement, reinforcement, form excavation, and furnishing and placing forms is incidental to furnishing piles. If a portion of the pler wall is underwater, Class SI Concrete shall be tremied underwater into the forms in accordance with Article 503.08(a) of the Standard Specifications. Concrete shall be tremied to an elevation 12" above the water level at the time of construction.



**ANCHOR BOLT SPACING**

**BILL OF MATERIAL**

Bar	No.	Size	Length	Shape
h1(E)	128	#5	21'-11"	—
p1(E)	4	#5	8'-6"	—
p2(E)	8	#5	17'-4"	—
p4(E)	32	#7	22'-6"	—
s(E)	92	#4	9'-5"	□
s3(E)	62	#4	5'-2"	□
u1(E)	6	#5	7'-9"	U
u2(E)	32	#5	6'-7"	U
v4(E)	170	#5	17'-3"	—
Reinforcement Bars, Epoxy Coated		Pound		8800
Concrete Structures		Cu. Yd.		115.7
Test Piles Steel HP 10x42		Each		1
Furnishing Steel Piles HP 10x42		Feet		765
Driving Piles HP 10x42		Feet		765
Pile Shoes		Each		15
Underwater Structure Excavation Protection Location 2.		Each		1
Structure Excavation		Cu. Yd.		32

REVISIONS	
NAME	DATE

ILLINOIS DEPARTMENT OF TRANSPORTATION  
 ILLINOIS ROUTE 21  
 MILWAUKEE AVE. OVER DES PLAINES RIVER  
 F.A.P. ROUTE 374 SECTION 3268F-R-1  
 COOK COUNTY, SN 016-6566  
**PIER 2 ELEVATION & PLAN**  
 DESIGN BY: AWH DRAWN BY: AWH  
 DATE: 02/05/08 CHECKED BY: JAN CHECKED BY: JAW

