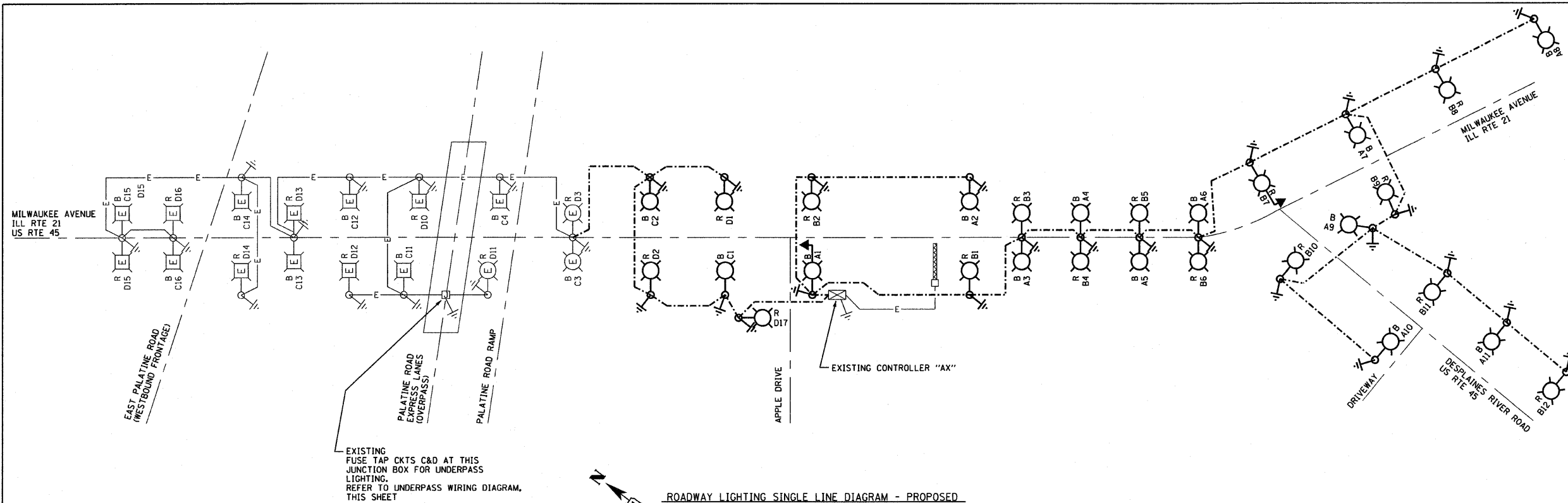


F.A.P. RTE.	SECTION	COUNTY	TOTAL SHEETS	SHEET NO.
374	3268F-R-1	COOK	279	209
STA.		TO STA.		
FED. ROAD DIST. NO.		ILLINOIS FED. AID PROJECT		

CONTRACT NO. 62387

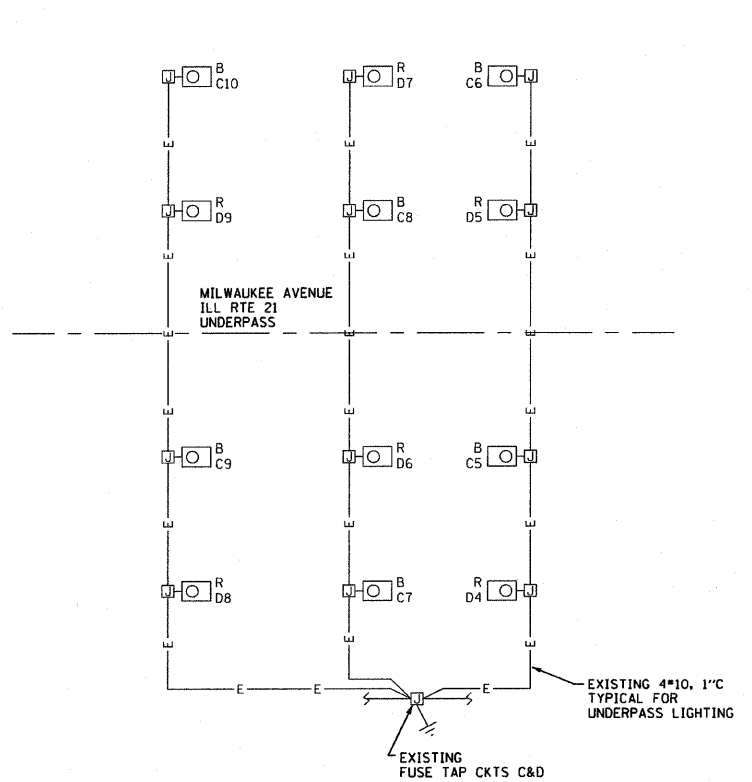
WIRING DIAGRAM LEGEND

- EXISTING 200 WATT HPS M-C-III LUMINAIRE
- EXISTING 310 WATT HPS M-C-III LUMINAIRE
- PROPOSED 400 WATT HPS M-C-III LUMINAIRE UNLESS OTHERWISE NOTED
- PROPOSED 400 WATT HPS M-C-III LUMINAIRE LIGHT UNIT COMBINATION TRAFFIC SIGNAL
- R
B
A1
- "R" INDICATES LUMINAIRE ON RED CABLE
"B" INDICATES LUMINAIRE ON BLACK CABLE
"A1" INDICATES CIRCUIT & POLE NUMBER
- EXISTING 55 WATT LPS LUMINAIRE
- EXISTING CONTROL CABINET "AX"
- EXISTING GROUND ROD
- PROPOSED GROUND ROD
- EXISTING CABLE 3-1/C #6 AWG
- PROPOSED CABLE 3-1/C #4 AWG
- EXISTING SIGN STRUCTURE (LIGHTING CIRCUIT "E")
- EXISTING JUNCTION BOX

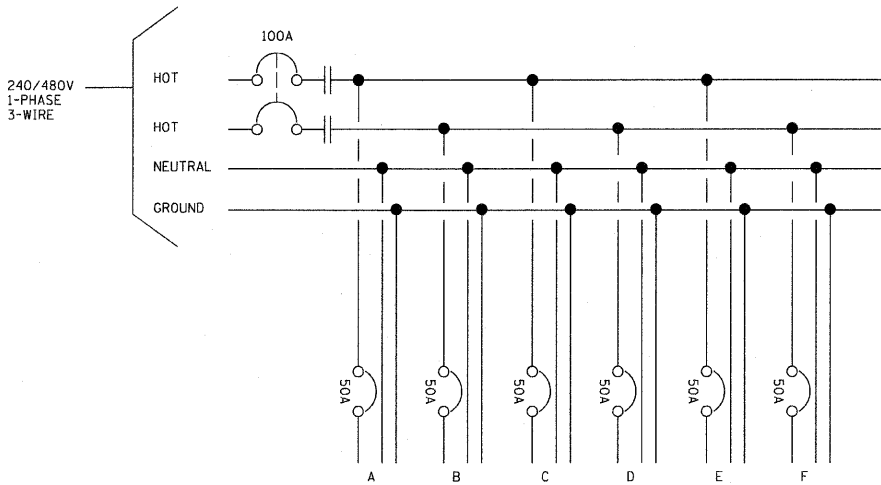


ROADWAY LIGHTING SINGLE LINE DIAGRAM - PROPOSED
NO SCALE

EXISTING FUSE TAP CKTS C&D AT THIS JUNCTION BOX FOR UNDERPASS LIGHTING. REFER TO UNDERPASS WIRING DIAGRAM, THIS SHEET



UNDERPASS WIRING DIAGRAM - EXISTING
NO SCALE



EXISTING LIGHTING CONTROLLER "AX"
NO SCALE

PANEL SCHEDULE AND LOAD TABULATION
LIGHTING CONTROLLER AX
240/480 VAC, 1-PHASE, 3-WIRE
MAIN BREAKER: 100A

CIRCUIT	BREAKER TRIP AMPS	KW		AMPS
		BLACK	RED	
A	50	5.7	-	23.9
B	50	-	5.7	23.9
C	50	4.0	-	16.8
D	50	-	4.6	19.1
E	50	0.2	-	0.7
F	50	-	-	-
SUBTOTAL		9.9	10.3	-
TOTAL		20.2	-	42.1

REVISIONS	
NAME	DATE

ILLINOIS DEPARTMENT OF TRANSPORTATION
ILL RTE 21 & US RTE 45

ROADWAY LIGHTING
SINGLE LINE AND WIRING DIAGRAMS

SCALE: NONE
DATE: 02/05/08

DRAWN BY: RPJ
DESIGN BY: IB
CHECKED BY: ADO

SPAAN Tech, Inc.
311 S. Wacker Drive, Suite 2400
Chicago, IL 60606
phone: 312.277.8800
fax: 312.277.8808
web: www.SpaanTech.com

4:54 PM District 01
 IDOT - District 01
 #LUSTN_PROJECTNAME
 #07167.000 - ILL Rte 21 - IDOT Dist 1 Working Files\Drawing Files\Lighting\LT-10 - Single Line Diagrams.dgn
 01 1' / IN.
 8:45:52 AM
 1/30/2008