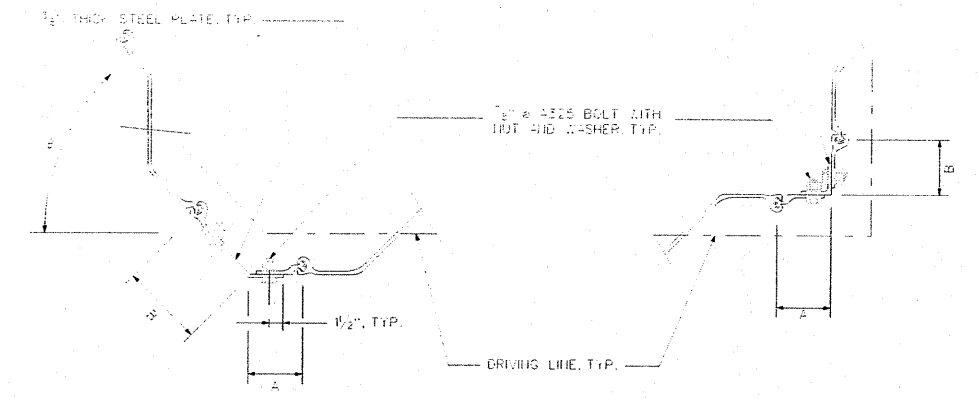


TYPICAL I-WALL END DETAIL - SECTION AT STEEL SHEET PILE

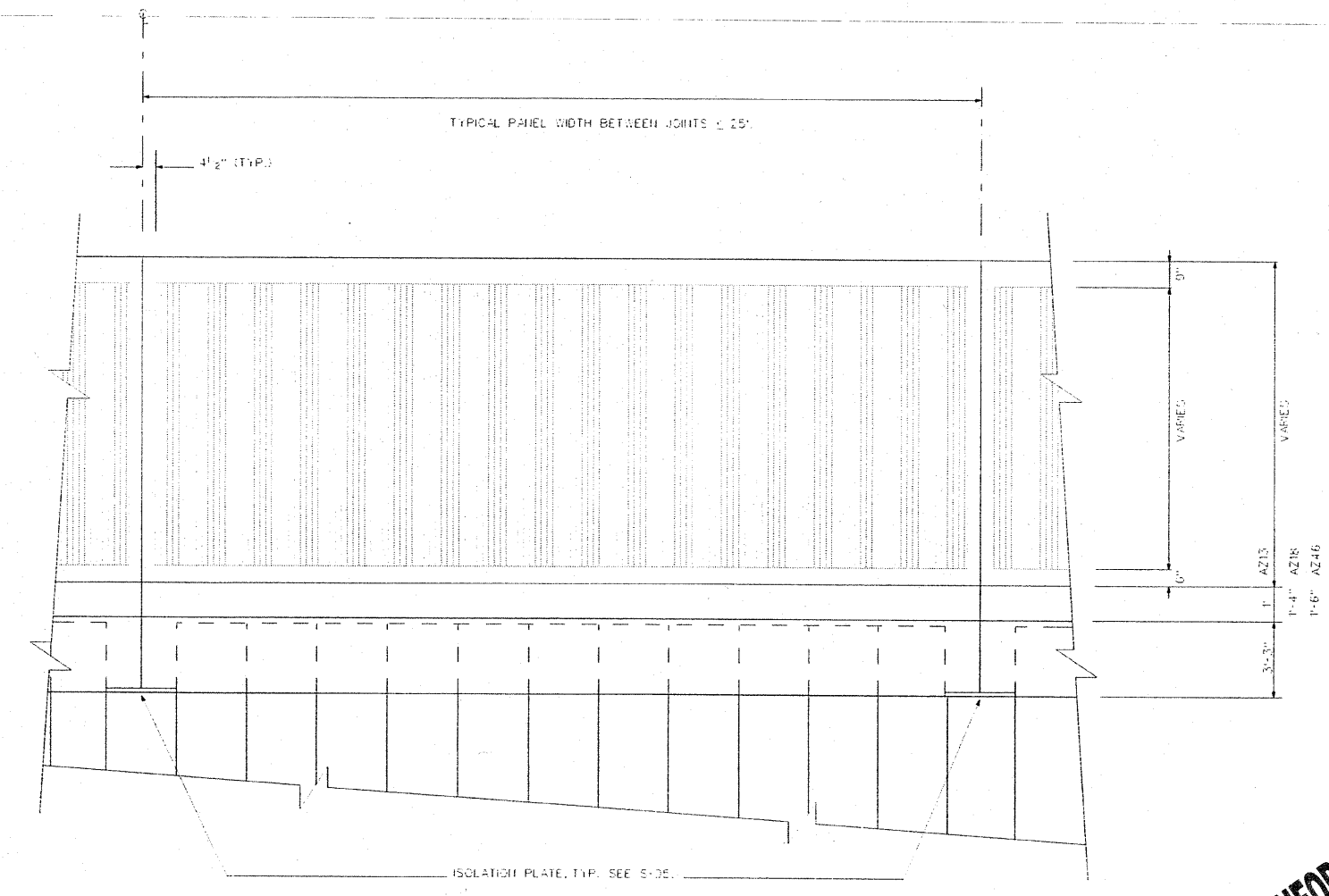


TYPICAL BENT CORNER TYPICAL 90° CORNER

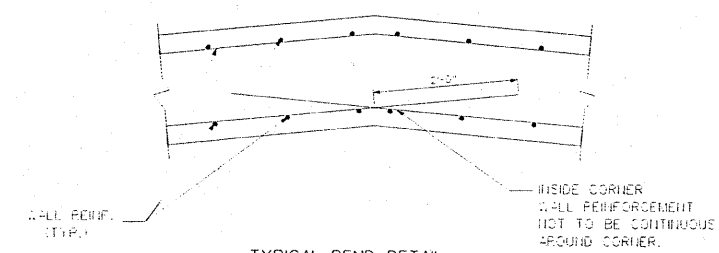
- CONNECTION NOTES:
1. FIELD VERIFY ALL DIMENSIONS PRIOR TO FABRICATION.
  2. THE STANDARD A AND B DIMENSION IS 6 INCHES. BOTH DIMENSIONS CAN VARY BASED ON FIELD VERIFIED DIMENSIONS WITH A MAXIMUM LENGTH OF 12 INCHES. THE A AND B DIMENSION FOR THE BENT CORNER SHALL BE DETERMINED FROM THE FIELD VERIFIED DIMENSIONS.
  3. ALL FASTENERS ARE 1/2"  $\phi$  A325 BOLTS WITH NUTS AND WASHERS SPACED AT 6 INCH ON CENTERS THROUGHOUT THE LENGTH OF THE SECTION, EXCEPT FOR 2 FEET AT EACH END WHERE THEY ARE LOCATED ON 3 INCH CENTERS.
  4. SEE THE CIVIL PLAN AND PROFILE SHEETS FOR FLOOD WALL BEND COORDINATES TO CALCULATE THE BEND ANGLE  $\theta$ .

TYPICAL FABRICATED SHEET PILE CORNER DETAILS

STEEL SHEET PILING SHALL BE ASTM A572 GR50.



TYPICAL WALL PANEL ELEVATION (CHAMFERED SIDE OF WALL) NTS



TYPICAL BEND DETAIL SCALE: 1\"/>

GENERAL CONCRETE NOTES:

1. TOP BARS ARE HORIZONTAL BARS IN THE TOP FACE LAYER(S) OF BEAMS AND SLABS, SO PLACED THAT MORE THAN 12 INCHES OF FRESH CONCRETE IS CAST BELOW THE DEVELOPMENT LENGTH OR SPLICE. ALL OTHER HORIZONTAL AND VERTICAL BARS IN BEAMS, SLABS, COLUMNS AND WALLS SHALL BE CLASSIFIED AS OTHER BARS, UNLESS OTHERWISE NOTED ON THE DRAWINGS.
2. LAP SPLICES SHALL NOT BE USED IN LOCATION OF MAXIMUM MOMENTS UNLESS OTHERWISE PERMITTED ON THE DRAWINGS.
3. REINFORCEMENT SHALL HAVE A MINIMUM CONCRETE COVER OF 3". EXCEPT AS OTHERWISE NOTED OR SHOWN ON THE DRAWINGS.
4. ALL EXPOSED CONCRETE EDGES SHALL HAVE A 3/4" CHAMFER.
5. ABBREVIATIONS: d<sub>b</sub> - BAR DIAMETER; l<sub>dh</sub> - DEVELOPMENT LENGTH WITH HOOK
6. ALL DETAILING OF REINFORCEMENT SHALL BE IAW ACI 318, UNLESS NOTED OTHERWISE.
7. COMPRESSIVE STRENGTH OF CONCRETE WILL BE 4,000 PSI AT 28 DAYS. FY - 60,000 PSI (REINFORCEMENT).

FOR INFORMATION ONLY

FOR INFORMATION ONLY

SYMBOL	AMENDMENT DESCRIPTION	DATE APPROVED	SYMBOL	DATE APPROVED

DESIGNED BY: DATE: 02/05/2008	SCALE: AS SHOWN
DRAWN BY: M.A.N.	DRAWING CODE: DESPL37-S06-1.DGN
CHECKED BY: S.R.T.	REVIEWED BY: SOLICITATION NUMBER
REVIEWED BY: J.J.S.	

U.S. ARMY ENGINEER DISTRICT  
CORPS OF ENGINEERS  
CHICAGO, ILLINOIS

IDOT FAP RT 374 ( IL  
ROUTE 374 ), MILWAUKEE AVE  
SECTION 3268F-R-1  
FLOODWALL  
DETAILS

SHEET REFERENCE NUMBER:  
S-06  
SHEET 276 OF 279