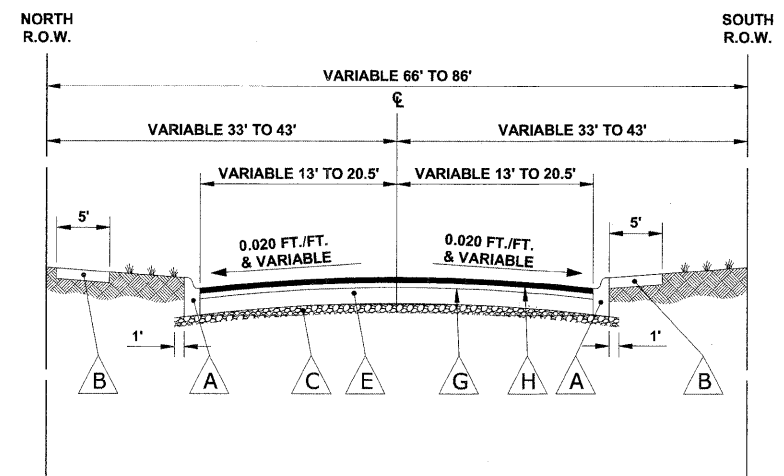
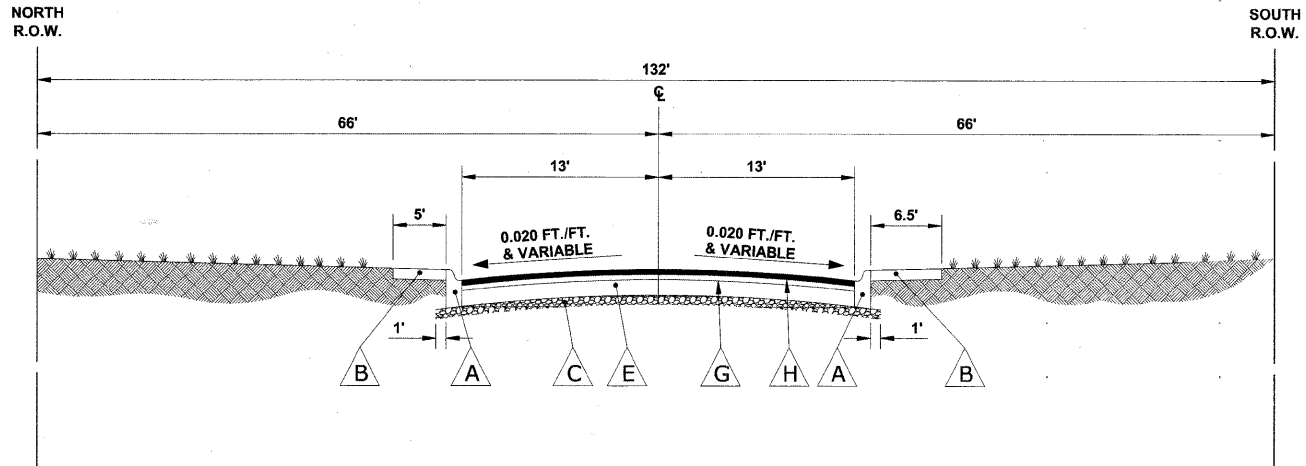


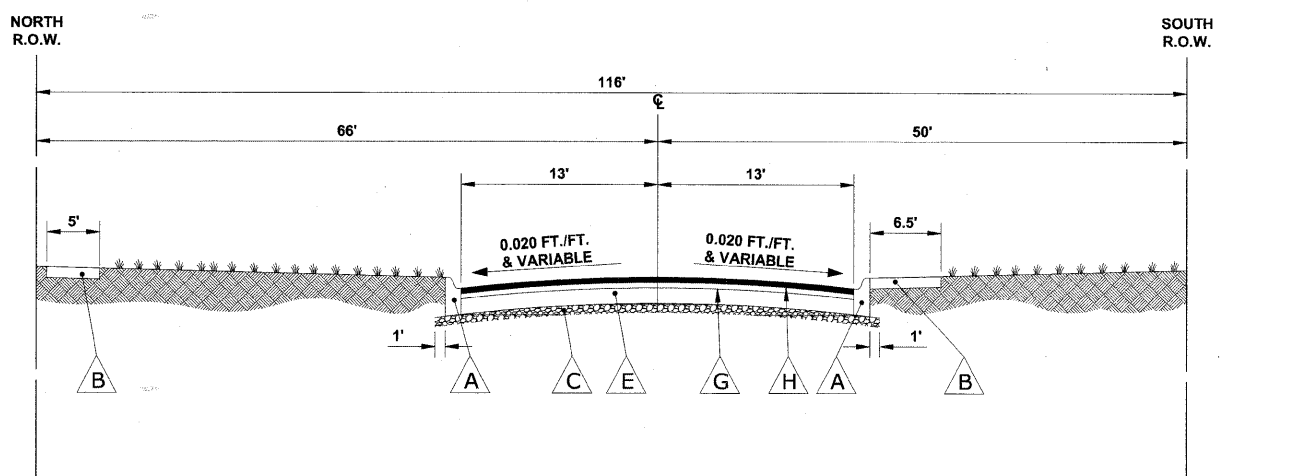
PROPOSED TYPICAL CROSS SECTION
 WASHINGTON AVENUE
 STATION 100+75 TO STATION 102+80
 STATION 112+70 TO STATION 131+65



PROPOSED TYPICAL CROSS SECTION
 WASHINGTON AVENUE
 STATION 131+65 TO STATION 132+95



PROPOSED TYPICAL CROSS SECTION
 WASHINGTON AVENUE
 STATION 104+20 TO STATION 106+65



PROPOSED TYPICAL CROSS SECTION
 WASHINGTON AVENUE
 STATION 106+65 TO STATION 112+70

LEGEND OF SYMBOLS

SYMBOL	DESCRIPTION
A	EXISTING COMBINATION CONCRETE CURB & GUTTER, TYPE B-6.24
B	EXISTING PORTLAND CEMENT CONCRETE SIDEWALK, 5"
C	EXISTING SUB-BASE GRANULAR MATERIAL, 4"
E	EXISTING CONCRETE BASE COURSE, 8"
G	PROPOSED POLYMERIZED LEVELING BINDER (MACHINE METHOD) IL-4.75, N50, MINIMUM 3/4"
H	PROPOSED HOT-MIX ASPHALT SURFACE COURSE, MIX D, N50, 1-3/4"

HOT-MIX ASPHALT (HMA) MIXTURE REQUIREMENTS

ITEM	A C TYPE *	VOIDS
HMA SURFACE COURSE, MIX D, N50, IL - 9.5 mm	PG 64-22	4% @ 50 GYR.
POLYMERIZED LEVELING BINDER (MACHINE METHOD), IL-4.75, N50	SBS/SBR PG 76-28/22	4% @ 50 GYR.
INCIDENTAL HOT-MIX ASPHALT SURFACING, MIX "C", N50	PG 64-22	4% @ 50 GYR.
HOT-MIX ASPHALT MIXTURE FOR PATCHING POTHOLES, MIX "C", N50	PG 64-22	4% @ 50 GYR.

* THE UNIT WEIGHT USED TO CALCULATE ALL HMA SURFACE COURSE IS 112 LBS/SQYD/IN AND THE UNIT WEIGHT USED TO CALCULATE POLYMERIZED LEVELING BINDER IS 105 LBS/SQYD/IN.
 * WHEN RAP EXCEEDS 20%, THE NEW HMA BINDER IN THE MIX SHALL BE PG 58-22.



HANCOCK ENGINEERING
 Civil Engineers
 Municipal Consultants
 Established 1911
 9933 Roosevelt Road
 Westchester, Illinois 60154-2780
 Phone: 708/865-0300
 Fax: 708/865-1212

**WASHINGTON AVENUE
 PROJECT NO. M- 8003(902)
 VILLAGE SECTION 07-00123-00-RS
 VILLAGE OF BROOKFIELD, ILLINOIS**

PROPOSED TYPICAL CROSS SECTIONS

SCALE:	NONE	SHEET 6 OF 20
DRAWN BY:	LEV/MK	
BOOK NO.:	SCANS/BP/LS	
DATE:	1-16-08	
E.H.E. NO.:	125-07-13601	
REVISION:		