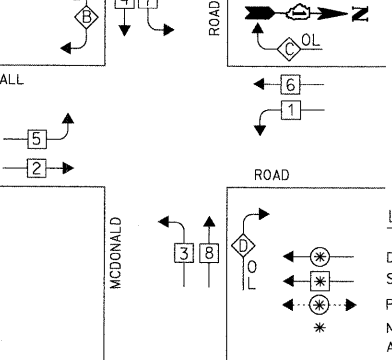
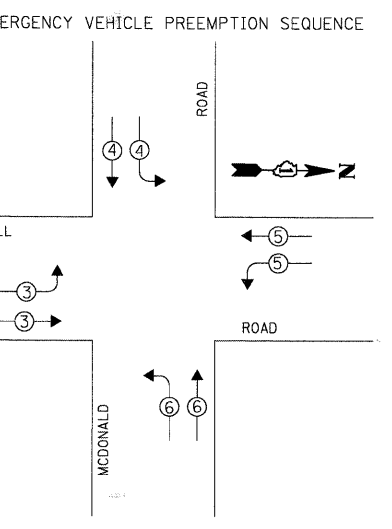


DATE: _____ BY: _____
 SURVEYED _____
 GRADES CHECKED _____
 PLAN _____
 NOTE BOOK _____
 NO. _____
CHRISTOPHER B. BURKE ENGINEERING LTD.
 3515 West Higgins Road, Suite 600
 Rosemont, Illinois 60018
 (847) 821-0500
 DATE: _____ BY: _____
 SURVEYED _____
 GRADES CHECKED _____
 PROFILE _____
 NOTE BOOK _____
 NO. _____

TEMPORARY CONTROLLER SEQUENCE	OVERLAP LETTER	PROTECTED PHASE	PERMISSIVE PHASE	
B	=	5	+	4
C	=	7	+	6
D	=	1	+	8



PHASE DESIGNATION DIAGRAM



EXISTING EMERGENCY VEHICLE PREEMPTORS				
EMERGENCY VEHICLE PREEMPTOR	3	4	5	6
MOVEMENT				

I.D.O.T. TRAFFIC SIGNAL INSTALLATION ELECTRICAL SERVICE REQUIREMENTS					TOTAL WATTAGE
TYPE	NO. OF LAMPS	WATTAGE X INCAND. LED	% OPERATION		
SIGNAL (RED)	20	17	0.50	170.00	
(YELLOW)	20	25	0.25	125.00	
(GREEN)	20	15	0.25	75.00	
ARROW	12	12	0.10	14.40	
PED. SIGNAL	-	25	1.00	-	
CONTROLLER	1	100	1.00	100.00	
ILLUM. SIGN	-	25	0.05	-	
VIDEO SYSTEM	1	150	1.00	150.00	
FLASHER	-	0.50	-	-	
ENERGY COSTS TO:				TOTAL =	634.40

KANE COUNTY DIVISION OF TRANSPORTATION
 41W011 BURLINGTON ROAD
 ST. CHARLES, IL 60175
 ENERGY SUPPLY: CONTACT: MIKE WIDHALM
 PHONE: (847) 608-2376
 COMPANY: COMED

RESTORATION OF WORK AREA. RESTORATION OF THE TRAFFIC SIGNAL WORK AREA SHALL BE INCIDENTAL TO THE RELATED PAY ITEM SUCH AS FOUNDATION, CONDUIT, HANDHOLE, TRENCH AND BACKFILL, ETC., AND NO EXTRA COMPENSATION SHALL BE ALLOWED. ALL ROADWAY SURFACES SUCH AS SHOULDERS, MEDIANS, SIDEWALKS, PAVEMENT, ETC. SHALL BE REPLACED IN KIND. ALL DAMAGE TO MOWED LAWNS SHALL BE REPLACED WITH AN APPROVED SOD, AND ALL DAMAGE TO UNMOWED FIELDS SHALL BE SEEDED IN ACCORDANCE WITH STANDARD SPECIFICATIONS 252 AND 250 RESPECTIVELY.

FOUNDATION (DEPTH)	FT. (m)	CABLE SLACK	FT. (m)	VERTICAL	FT. (m)
TYPE A - POST	4 (1.2)	HANDHOLE	6.5 (2.0)	ALL FOUNDATIONS	3.5 (1.0)
D - CONTROLLER	4 (1.2)	DOUBLE HANDHOLE	13 (4.0)	MAST ARM (L) POLE	20'+L-2'
E - M. ARM POLE		SIGNAL POST	2 (1.0)		(6m+L-0.6m)
24" (600mm)	10 (3.0)	CONTROLLER CAB.	1 (0.5)	BRACKET MOUNTED	13 (4.0)
30" (750mm)	15 (4.6)	FIBER OPTIC	13 (4.0)	PED. PUSHBUTTON	4 (1.2)
36" (900mm)	15 (4.6)	ELECTRIC SERVICE	1 (0.5)	ELECTRIC SERVICE	13.5 (4.1)
		GROUND CABLE	1 (0.5)	SERVICE TO GROUND	13.5 (4.1)
				POST MOUNTED	6 (1.8)

TEMPORARY CABLE DIAGRAM LEGEND

EXISTING	PROPOSED	
		TEMPORARY TRAFFIC SIGNAL SECTION OR PEDESTRIAN SIGNAL SECTION 12" (300mm)
		TEMPORARY CONTROLLER CABINET
		TEMPORARY SERVICE INSTALLATION
		INDICATES NUMBER OF CONDUCTORS IN CABLE. ALL CONDUCTORS TO BE NUMBER 14 AWG WIRE UNLESS OTHERWISE NOTED.
		FIBER OPTIC CABLE IN CONDUIT NO. 62.5/125 2-MM12F SM12F
		FIBER OPTIC CABLE IN CONDUIT NO. 62.5/125 2-MM12F SM24F
		EMERGENCY VEHICLE LIGHT DETECTOR
		CONFIRMATION BEACON
		VEHICLE DETECTOR, INDUCTION LOOP
		PEDESTRIAN PUSHBUTTON DETECTOR
		12" (300mm) PEDESTRIAN SIGNAL SECTION
		VEHICLE DETECTION CAMERA
		UNINTERRUPTIBLE POWER SUPPLY
		VENDOR SPECIFIC CABLE
		DOME CAMERA (PAN/TILT/ZOOM)

SCHEDULE OF QUANTITIES

ITEM	UNIT	TOTAL
MAINTENANCE OF EXISTING TRAFFIC SIGNAL INSTALLATION	EACH	1
MODIFY EXISTING CONTROLLER CABINET	EACH	1
REMOVE EXISTING TRAFFIC SIGNAL EQUIPMENT	EACH	1
ETHERNET KIT	EACH	1
CONFLICT MONITOR	EACH	1

CONSTRUCTION NOTES:

- ① INSTALL ETHERNET KIT.
- ② REPLACE EXISTING CONFLICT MONITOR.

THE FOLLOWING ITEMS SHALL BE REMOVED BY THE CONTRACTOR AND SHALL BE DISPOSED OF BY THEM OUTSIDE THE RIGHT-OF-WAY AT THEIR EXPENSE. THE SALVAGE VALUE OF THE REMOVED EQUIPMENT SHALL BE REFLECTED IN THE CONTRACT BID PRICE.

1 EACH CONFLICT MONITOR

NOTE: THE TRAFFIC SIGNAL CONTROLLER EQUIPMENT FOR THIS PROJECT SHALL BE "EAGLE" TO MATCH THE EXISTING ADJACENT SYSTEM.

STATE OF ILLINOIS DEPARTMENT OF TRANSPORTATION

CABLE PLAN RANDALL ROAD AT MCDONALD ROAD

FILE NAME = N:\kanecounty\078616\7-rf1c\CAB_McD.dgn	USER NAME = WILLIAM	DESIGNED -	REVISED -	SCALE:	F.A.P. RTE. 336	SECTION 06-00346-00-TL	COUNTY KANE	TOTAL SHEETS 69	SHEET NO. 14	CONTRACT NO. 63011	FED. ROAD DIST. NO. ILLINOIS FED. AID PROJECT
PLOT SCALE = 20'	DRAWN -	REVISED -									
PLOT DATE = 1/29/2008	CHECKED -	REVISED -									
DATE -	REVISED -										