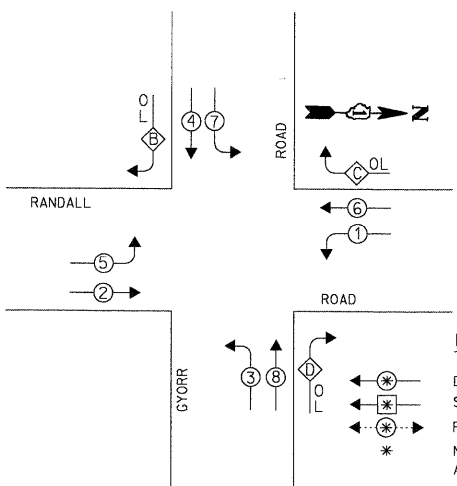


DATE: _____ BY: _____
 SURVEYED: _____
 PLAN: _____
 NOTE BOOK: _____
 NO. _____
CHRISTOPHER B. BURKE ENGINEERING LTD.
 3515 West Higgins Road, Suite 600
 Chicago, Illinois 60618
 (847) 823-0500
 DATE: _____ BY: _____
 SURVEYED: _____
 PROFILE: _____
 NOTE BOOK: _____
 NO. _____

TEMPORARY CONTROLLER SEQUENCE

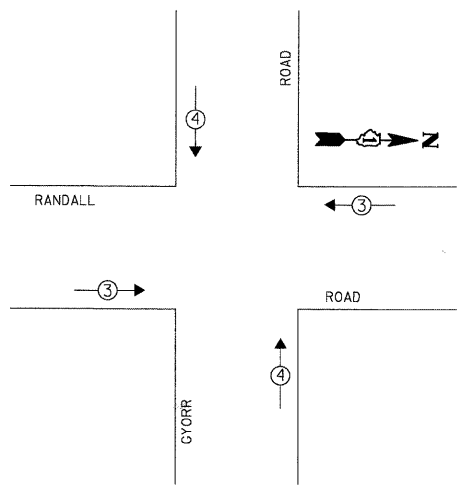


OVERLAP LETTER	PROTECTED PHASE	PERMISSIVE PHASE
B =	5	4
C =	7	6
D =	1	8

LEGEND
 DUAL ENTRY PHASE
 SINGLE ENTRY PHASE
 PEDESTRIAN PHASE
 NUMBER REFERS TO ASSOCIATED PHASE

PHASE DESIGNATION DIAGRAM

TEMPORARY EMERGENCY VEHICLE PREEMPTION SEQUENCE



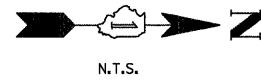
EXISTING EMERGENCY VEHICLE PREEMPTORS			
EMERGENCY VEHICLE PREEMPTOR	3	4	
MOVEMENT	←	→	↑

I.D.O.T. TRAFFIC SIGNAL INSTALLATION ELECTRICAL SERVICE REQUIREMENTS					TOTAL WATTAGE
TYPE	NO. OF LAMPS	INCAND.	LED	% OPERATION	
SIGNAL (RED)	14		17	0.50	119.00
(YELLOW)	14		25	0.25	87.50
(GREEN)	14		15	0.25	52.50
ARROW	24		12	0.10	28.80
PED. SIGNAL	-		25	1.00	-
CONTROLLER	1		100	1.00	100.00
ILLUM. SIGN	-		25	0.05	-
VIDEO SYSTEM	1		150	1.00	150.00
LUMINAIRE	4		250	0.50	500.00
FLASHER	-		0.50	-	-
ENERGY COSTS TO:					TOTAL = 1037.80

KANE COUNTY DIVISION OF TRANSPORTATION
 41W011 BURLINGTON ROAD
 ST. CHARLES, IL 60175
 ENERGY SUPPLY: CONTACT: MIKE WIDHALM
 PHONE: (847) 608-2376
 COMPANY: COMED

FOUNDATION (DEPTH)	FT. (m)	CABLE SLACK	FT. (m)	VERTICAL	FT. (m)
TYPE A - POST	4 (1.2)	HANDHOLE	6.5 (2.0)	ALL FOUNDATIONS	3.5 (1.0)
D - CONTROLLER	4 (1.2)	DOUBLE HANDHOLE	13 (4.0)	MAST ARM (L) POLE	20'+L-2'
E - M. ARM POLE		SIGNAL POST	2 (1.0)		(6m+L-0.6m)
24" (600mm)	10 (3.0)	CONTROLLER CAB.	1 (0.5)	BRACKET MOUNTED	13 (4.0)
30" (750mm)	15 (4.6)	FIBER OPTIC	13 (4.0)	PED. PUSHBUTTON	4 (1.2)
36" (900mm)	15 (4.6)	ELECTRIC SERVICE	1 (0.5)	ELECTRIC SERVICE	13.5 (4.1)
		GROUND CABLE	1 (0.5)	SERVICE TO GROUND	13.5 (4.1)
				POST MOUNTED	6 (1.8)

NOTE:
 THE TRAFFIC SIGNAL CONTROLLER EQUIPMENT FOR THIS PROJECT SHALL BE "EAGLE" TO MATCH THE EXISTING ADJACENT SYSTEM.



TEMPORARY CABLE DIAGRAM LEGEND

EXISTING	PROPOSED	DESCRIPTION
		TEMPORARY TRAFFIC SIGNAL SECTION OR PEDESTRIAN SIGNAL SECTION 12" (300mm)
		TEMPORARY CONTROLLER CABINET
		TEMPORARY SERVICE INSTALLATION
		INDICATES NUMBER OF CONDUCTORS IN CABLE. ALL CONDUCTORS TO BE NUMBER 14 AWG WIRE UNLESS OTHERWISE NOTED.
		FIBER OPTIC CABLE IN CONDUIT NO. 62.5/125 2-MM12F SM12F
		FIBER OPTIC CABLE IN CONDUIT NO. 62.5/125 2-MM12F SM24F
		EMERGENCY VEHICLE LIGHT DETECTOR
		CONFIRMATION BEACON
		VEHICLE DETECTOR, INDUCTION LOOP
		PEDESTRIAN PUSHBUTTON DETECTOR
		12" (300mm) PEDESTRIAN SIGNAL SECTION
		VEHICLE DETECTION CAMERA
		UNINTERRUPTIBLE POWER SUPPLY
		VENDOR SPECIFIC CABLE
		DOMED CAMERA (PAN/TILT/ZOOM)

RESTORATION OF WORK AREA. RESTORATION OF THE TRAFFIC SIGNAL WORK AREA SHALL BE INCIDENTAL TO THE RELATED PAY ITEM SUCH AS FOUNDATION, CONDUIT, HANDHOLE, TRENCH AND BACKFILL, ETC., AND NO EXTRA COMPENSATION SHALL BE ALLOWED. ALL ROADWAY SURFACES SUCH AS SHOULDERS, MEDIANS, SIDEWALKS, PAVEMENT, ETC. SHALL BE REPLACED IN KIND. ALL DAMAGE TO MOWED LAWNS SHALL BE REPLACED WITH AN APPROVED SOD, AND ALL DAMAGE TO UNMOWED FIELDS SHALL BE SEED IN ACCORDANCE WITH STANDARD SPECIFICATIONS 252 AND 250 RESPECTIVELY.

SCHEDULE OF QUANTITIES

ITEM	UNIT	TOTAL
MAINTENANCE OF EXISTING TRAFFIC SIGNAL INSTALLATION	EACH	1
FULL-ACTUATED CONTROLLER IN EXISTING CABINET, SPECIAL	EACH	1
MODIFY EXISTING CONTROLLER CABINET	EACH	1
REMOVE EXISTING TRAFFIC SIGNAL EQUIPMENT	EACH	1
ETHERNET KIT	EACH	1
CONFLICT MONITOR	EACH	1

CONSTRUCTION NOTES:

- ① REPLACE EXISTING CONTROLLER AND CONFLICT MONITOR.
- ② INSTALL ETHERNET KIT.

THE FOLLOWING ITEMS SHALL BE REMOVED BY THE CONTRACTOR AND SHALL BE DISPOSED OF BY THEM OUTSIDE THE RIGHT-OF-WAY AT THEIR EXPENSE. THE SALVAGE VALUE OF THE REMOVED EQUIPMENT SHALL BE REFLECTED IN THE CONTRACT BID PRICE.

1 EACH CONTROLLER AND CONFLICT MONITOR