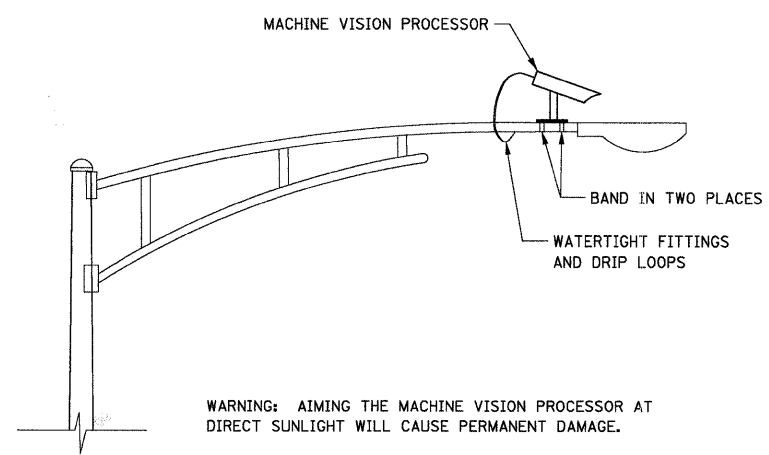


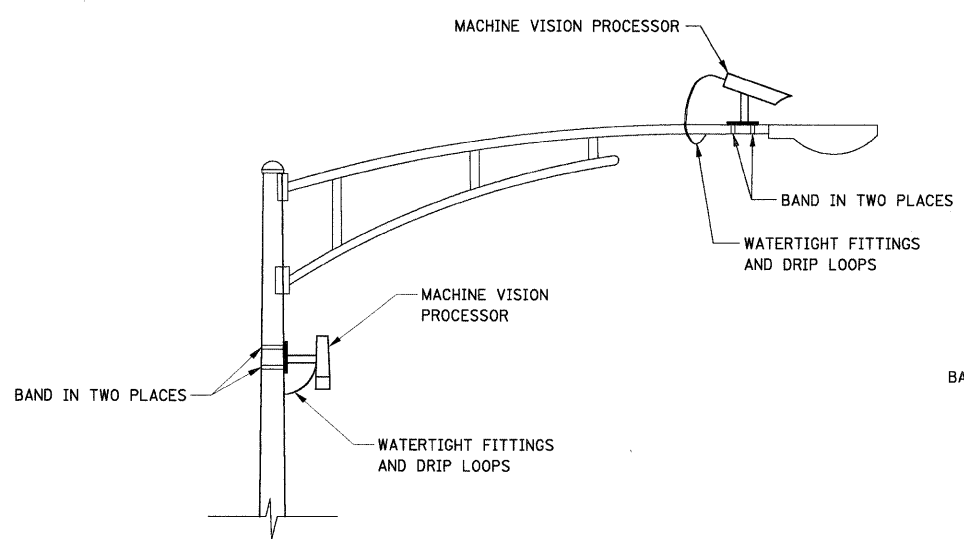
SURVEYED BY: _____ DATE: _____
 CHECKED BY: _____
 PLAN NO. _____
 NOTE BOOK NO. _____
 SURVEYED BY: _____ DATE: _____
 CHECKED BY: _____
 PROFILE NO. _____
 NOTE BOOK NO. _____
 SURVEYED BY: _____ DATE: _____
 CHECKED BY: _____
 GRADES CHECKED BY: _____
 STRUCTURE NOTATION CHRD

CHRISTOPHER B. BURKE ENGINEERING LTD.
 9575 West Higgins Road, Suite 600
 Chicago, Illinois 60618
 (847) 823-0580

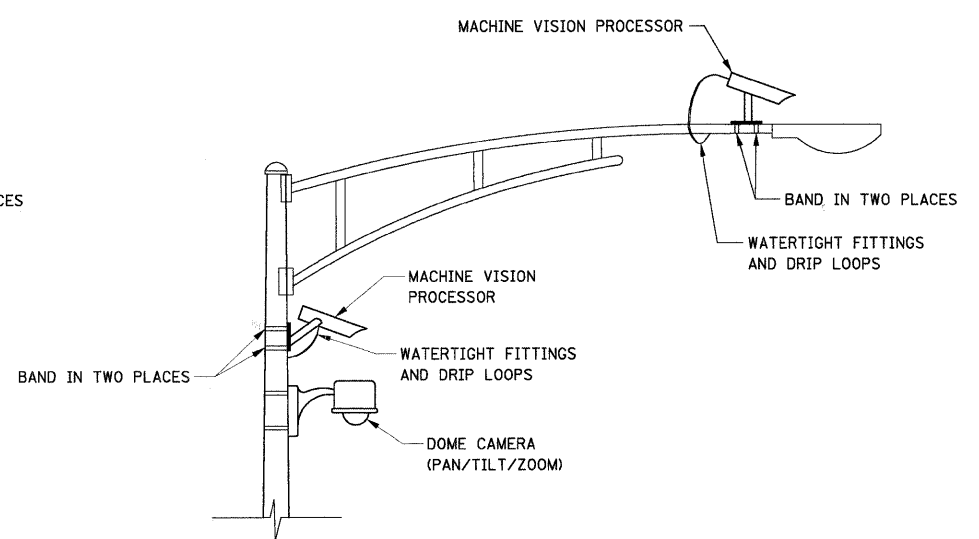


MACHINE VISION PROCESSOR MOUNTING DETAIL
 (NOT TO SCALE)

WARNING: AIMING THE MACHINE VISION PROCESSOR AT DIRECT SUNLIGHT WILL CAUSE PERMANENT DAMAGE.

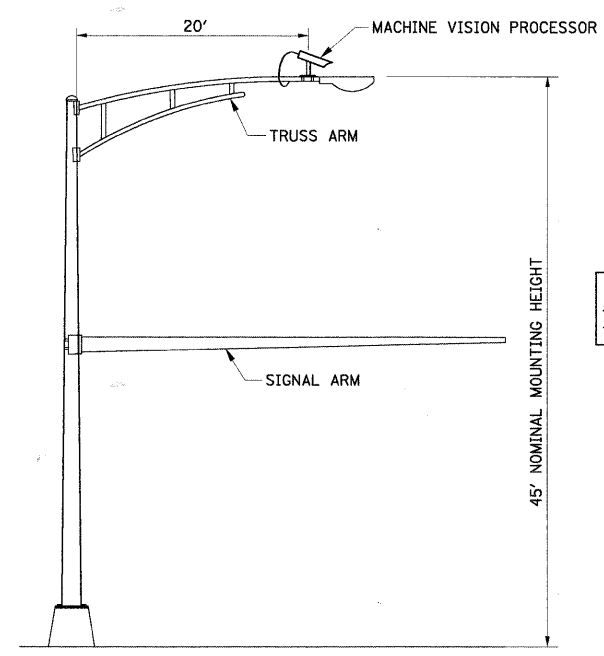


DUAL MACHINE VISION PROCESSORS MOUNTING DETAIL
 (NOT TO SCALE)



DUAL MACHINE VISION PROCESSORS AND DOME (PTZ) CAMERA MOUNTING DETAIL
 (NOT TO SCALE)

NOTES FOR SINGLE, DUAL AND MULTIPLE MVP MOUNTING:
 - MOUNT LUMINAIRE MOUNTING BRACKET AS HIGH AS POSSIBLE.
 - AIM BRACKET TOWARD DIRECTION OF TRAFFIC TO BE DETECTED.
 - MOUNT MACHINE VISION PROCESSOR AIMING DOWN AT 30 DEGREE ANGLE.



COMBINATION MAST ARM ASSEMBLY AND POLE DIMENSIONS
 (NOT TO SCALE)

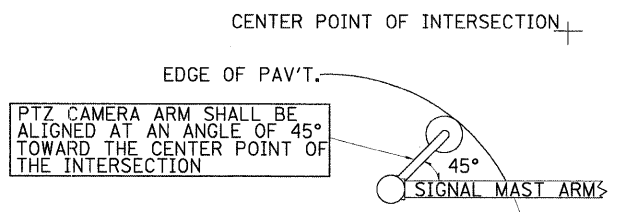
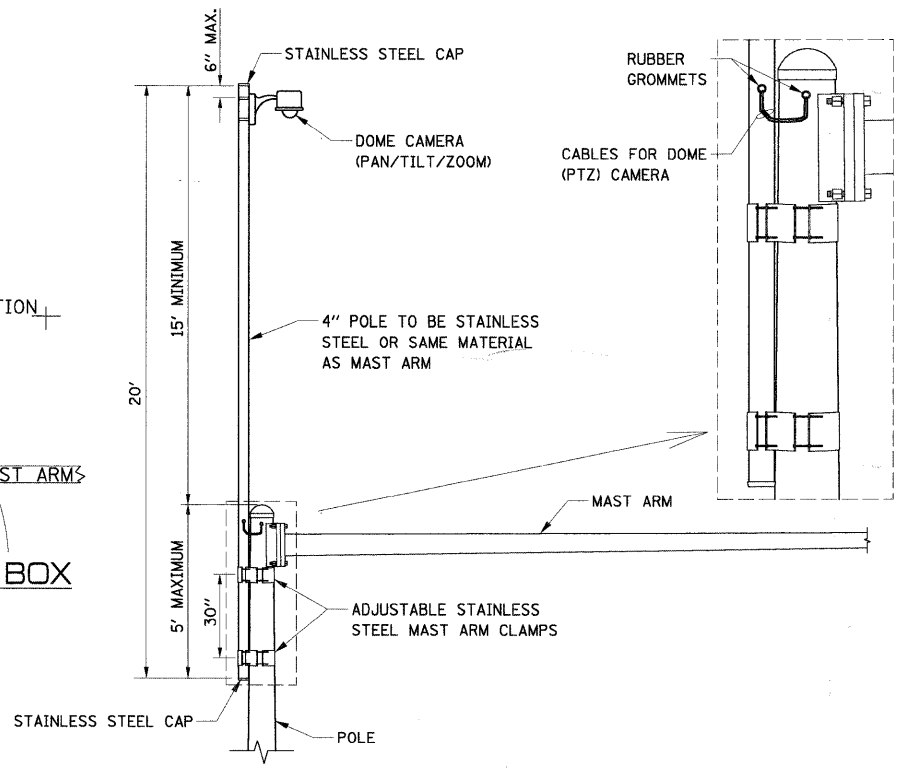


IMAGE SENSOR AND JUNCTION BOX MOUNTING DETAILS
 (NO SCALE)



CAMERA MOUNTING ASSEMBLY DETAIL
 (NOT TO SCALE)

FILE NAME = N:\kansascnty\078615\Traf1o\det_video.dgn	USER NAME = MWILLIAM	DESIGNED -	REVISED -
	PLOT SCALE = 22'	DRAWN -	REVISED -
	PLOT DATE = 1/28/2008	CHECKED -	REVISED -
		DATE -	REVISED -

STATE OF ILLINOIS
DEPARTMENT OF TRANSPORTATION

VIDEO DETECTION DETAILS

F.A.P. RTE. 336	SECTION 06-00346-00-TL	COUNTY KANE	TOTAL SHEETS 69	SHEET NO. 69
CONTRACT NO. 63011				
FED. ROAD DIST. NO. ILLINOIS FED. AID PROJECT				