

F.A.U. RTE.	SECTION	COUNTY	TOTAL SHEETS	SHEET NO.
1248	99-00080-00-BR	LAKE	46	9
STA. 185+96		TO STA. 189+70		
FED. ROAD DIST. NO.	ILLINOIS	FED. AID PROJECT		

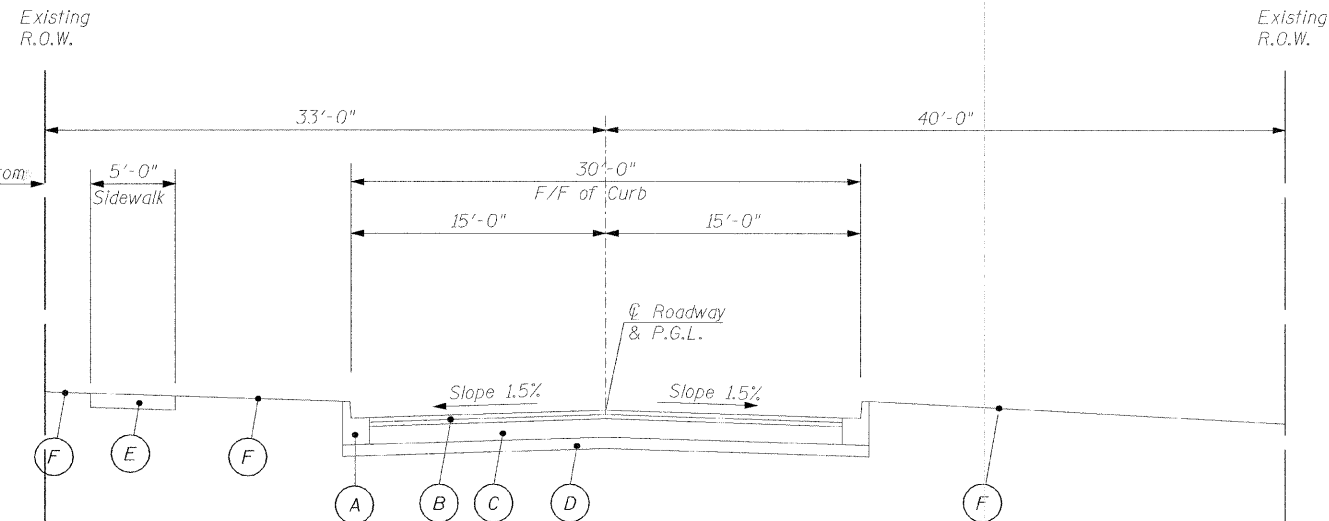
**63020**

**EXISTING LEGEND**

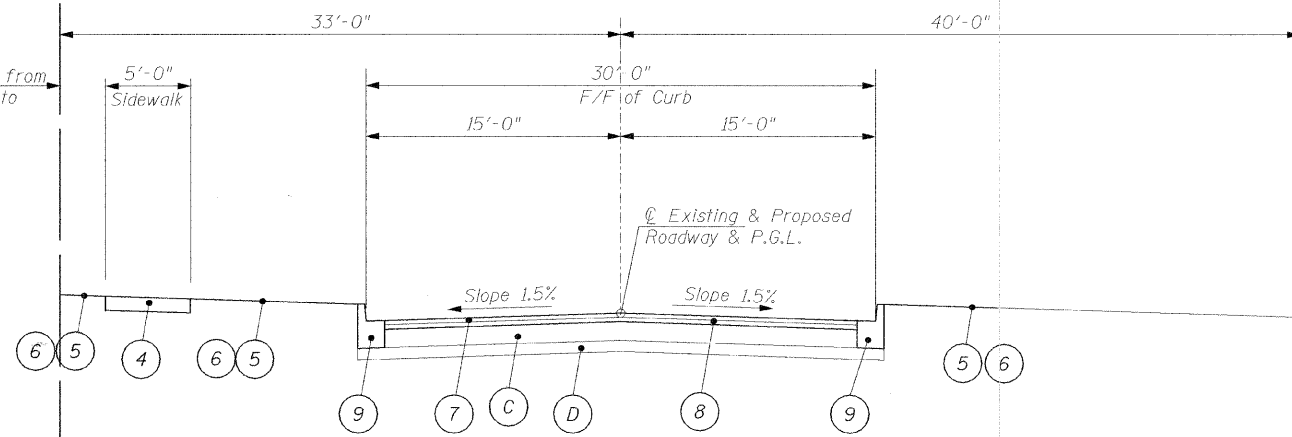
- (A) Combination Concrete Curb & Gutter, Type B-6.12 (Typ.)
- (B) 3"± Existing Bituminous Resurfacing
- (C) Bituminous Aggregate Mixture Base Course-(6½")
- (D) Sub-Base Granular Material-Type B (4")
- (E) Existing P.C.C. Sidewalk
- (F) Existing Ground Line

**PROPOSED LEGEND**

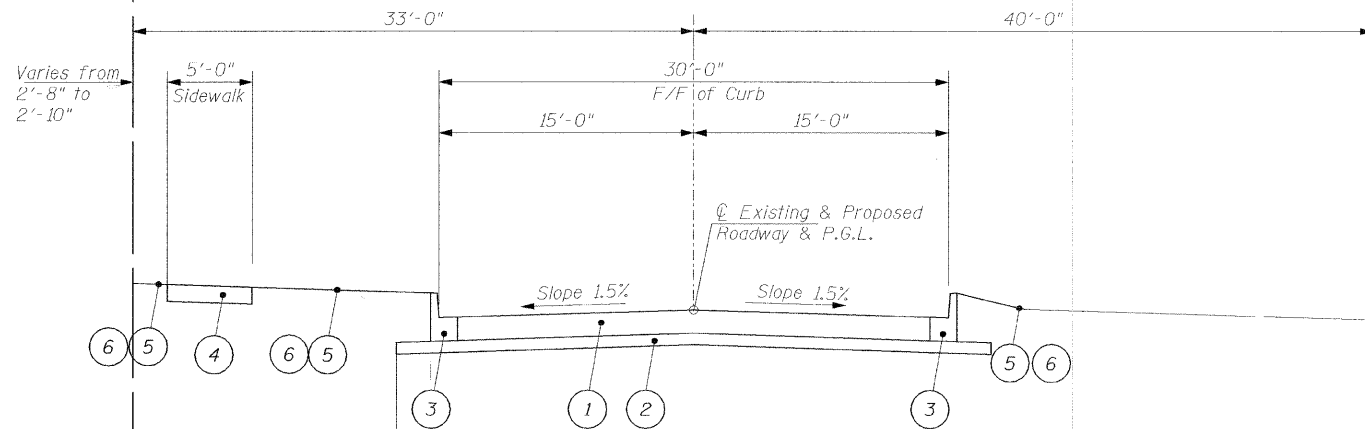
- (1) Continuously Reinforced Concrete Pavement, 8"
- (2) Stabilized Sub-Base, 4"
- (3) Combination Concrete Curb and Gutter, Type B-9.12
- (4) P.C.C. Sidewalk, 5" (for Limits of Sidewalk Removal and Replacement See Sheet No. 11)
- (5) Topsoil Excavation and Placement, 4"
- (6) Seeding, Class 2A
- (7) Removal (Milling) of Existing Surface, 3"
- (8) Proposed Hot-Mix Asphalt Surface Course, Mix "D", N50
- (9) Combination Concrete Curb and Gutter, Type B-6.12



**EXISTING ROADWAY CROSS SECTION**  
 STA. 185+96 TO STA. 187+25.86  
 STA. 187+96.14 TO STA. 189+70



**PROPOSED ROADWAY CROSS SECTION**  
 STA. 185+96 TO STA. 186+72.00  
 STA. 188+20.00 TO STA. 189+70



**PROPOSED ROADWAY CROSS SECTION**  
 STA. 186+72.00 TO STA. 186+96.51  
 STA. 187+95.49 TO STA. 188+20.00

**WJE** Wiss, Janney, Elstner Associates, Inc.  
 Engineers, Architects, Material Scientists  
 330 Pfingsten Road, Northbrook, IL 60062  
 (847) 272-7400, Fax: (847) 291-4813  
 WJE No. 2008.2324

**THE CITY OF LAKE FOREST**  
 CHARTERED 1861

ILLINOIS DEPARTMENT OF TRANSPORTATION  
 BUREAU OF LOCAL ROADS AND STREETS

PROJECT: **OLD ELM ROAD OVER EAST SKOKIE DITCH**  
 TITLE: **EXISTING & PROPOSED TYPICAL SECTIONS**  
**STA. 185 + 96.00 TO STA. 189 + 70.00**

SCALE: N.T.S. DRAWN BY: JMG  
 DATE: JANUARY 2008 CHECKED BY: NSA

REV. NO.	DATE	REVISION RECORD	MADE BY	CHECKED BY
△				
△				
△				
△				
△				

DATE: 2/5/2008 FILENAME: p:\2008\2301-2400\2006.2324-nanderson-old elm design\microstation-final\c-09.dgn