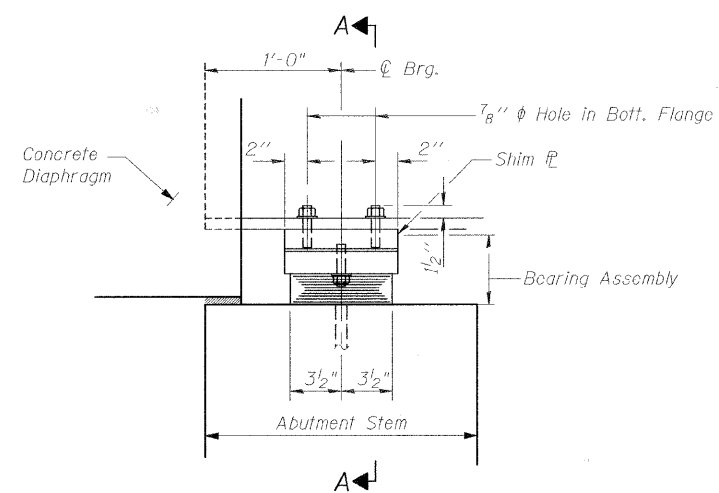
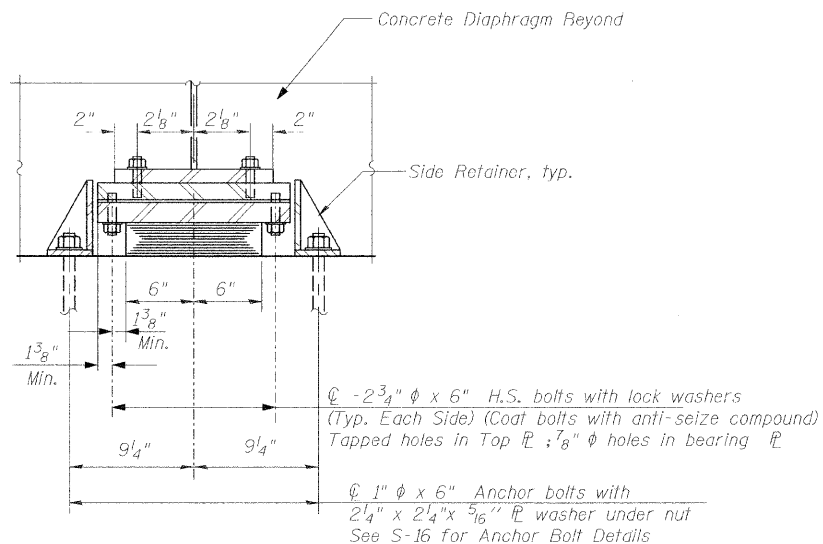


F.A.U. RTE.	SECTION	COUNTY	TOTAL SHEETS	SHEET NO.
1248	99-00080-00-BR	LAKE	46	27
STA.	TO STA.			
FED. ROAD DIST. NO.	ILLINOIS	FED. AID PROJECT		

Sheet S-15 of S-29 **63020**

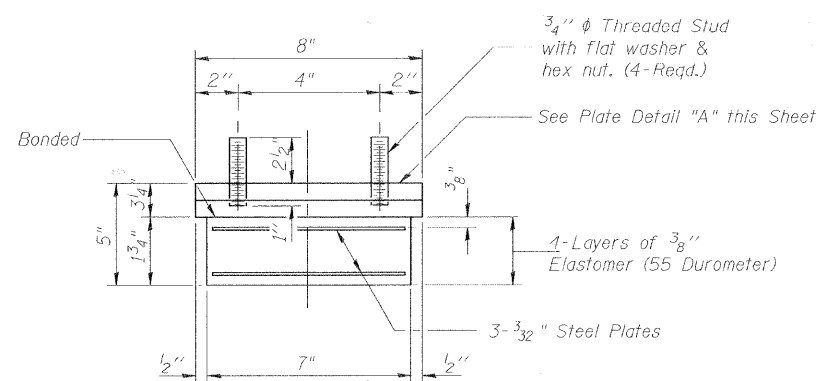


ELEVATION AT ABUT.



SECTION A-A

TYPE I ELASTOMERIC EXP. BRG.



BEARING ASSEMBLY

Note: Shim plates shall not be placed under Bearing Assembly.

Notes:

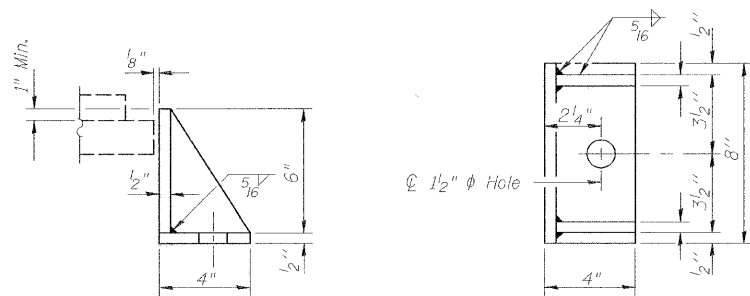
Anchor bolts shall be ASTM F1554 all-thread (or an Engineer-approved alternate material) of the grade(s) and diameter(s) specified. ASTM A307 Grade C anchor bolts may be used in lieu of ASTM F1554 Grade 36 (Fy=36ksi). The corresponding specified grade of AASHTO M314 anchor bolts may be used in lieu of ASTM F1554.

Anchor bolts at fixed bearings may be either cast in place or installed in holes drilled after the supported member is in place.

Anchor bolts for side retainers may be cast in place or installed in holes drilled before or after members are in place.

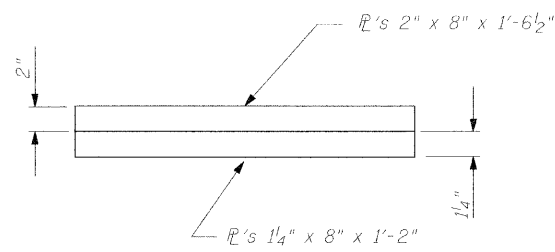
Drilled and set anchor bolts shall be installed according to Article 521.06 of the Standard Specifications.

Side retainers and other steel members required for the bearing assembly shall be included in the cost of Elastomeric Bearing Assembly, Type I.



SIDE RETAINER

Equivalent rolled angle with stiffeners will be allowed in lieu of welded plates.



PLATES DETAIL "A"

BILL OF MATERIAL

Item	Unit	Total
Elastomeric Bearing Assembly Type I	Each	16
Anchor Bolts 1" ϕ	Each	32

WJE Wiss, Janney, Elstner Associates, Inc.
Engineers, Architects, Material Scientists
330 Pfingsten Road, Northbrook, IL 60062
(847) 272-7400 Fax: (847) 291-4813
WJE No. 2006.2324

THE CITY OF LAKE FOREST
CHARTERED 1861

ILLINOIS DEPARTMENT OF TRANSPORTATION
BUREAU OF LOCAL ROADS AND STREETS

PROJECT:
OLD ELM ROAD OVER EAST SKOKIE DITCH
STA. 187+46 LAKE COUNTY
STRUCTURE NO. 049-6870

TITLE:
BEARING DETAILS

△							
△							
△							
△							
△							
REV. NO.	DATE	REVISION RECORD	MADE BY	CHECKED BY	SCALE: N.T.S.	DRAWN BY: IMG	
					DATE: JANUARY 2008	CHECKED BY: NSA	

DATE: 2/5/2008 FILENAME: P:\2006\2801-2400\2006.2324-NAnderson-Old Elm Design\MICROSTATION-FINAL\S-16.dgn