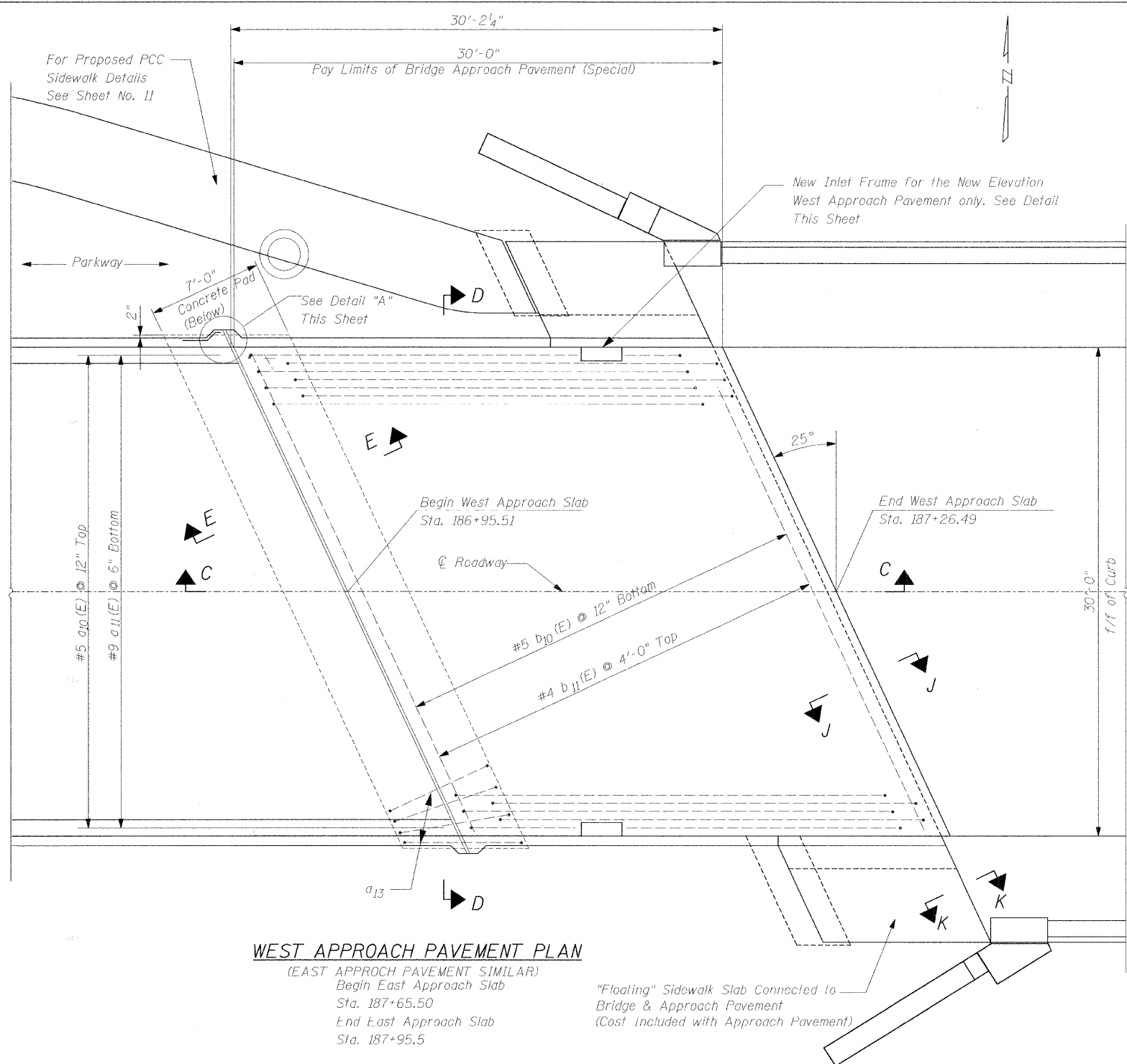


F.A.U. R.T.E.	SECTION	COUNTY	TOTAL SHEETS	SHEET NO.
1248	99-00080-00-BR	LAKE	46	42
STA. 185+96		TO STA. 189+70		
FED. ROAD DIST. NO.		ILLINOIS	FED. AID PROJECT	

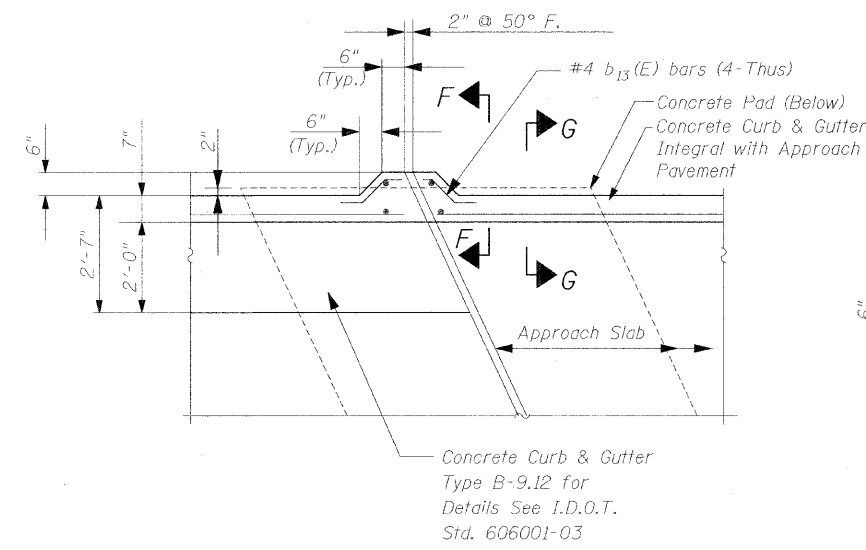
63020



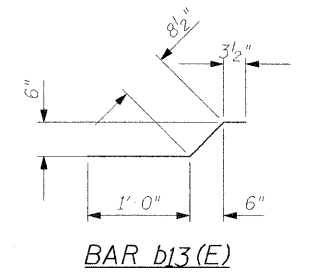
**WEST APPROACH PAVEMENT PLAN**

(EAST APPROACH PAVEMENT SIMILAR)  
 Begin East Approach Slab Sta. 187+65.50  
 End East Approach Slab Sta. 187+95.5

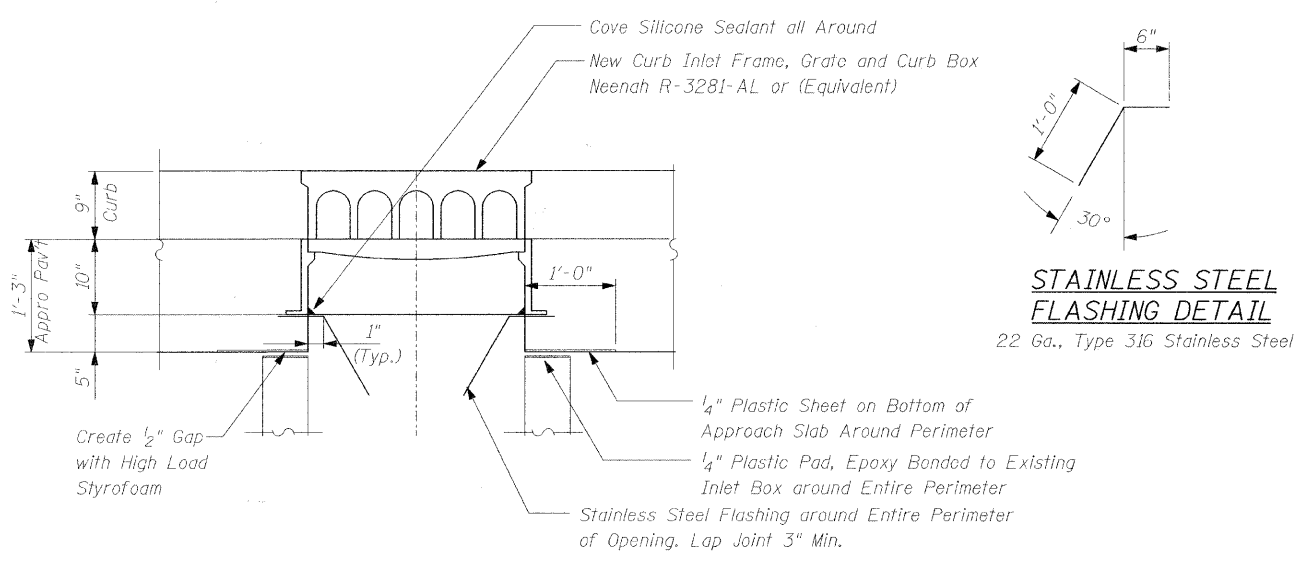
"Floating" Sidewalk Slab Connected to Bridge & Approach Pavement  
 (Cost included with Approach Pavement)



**DETAIL "A"**

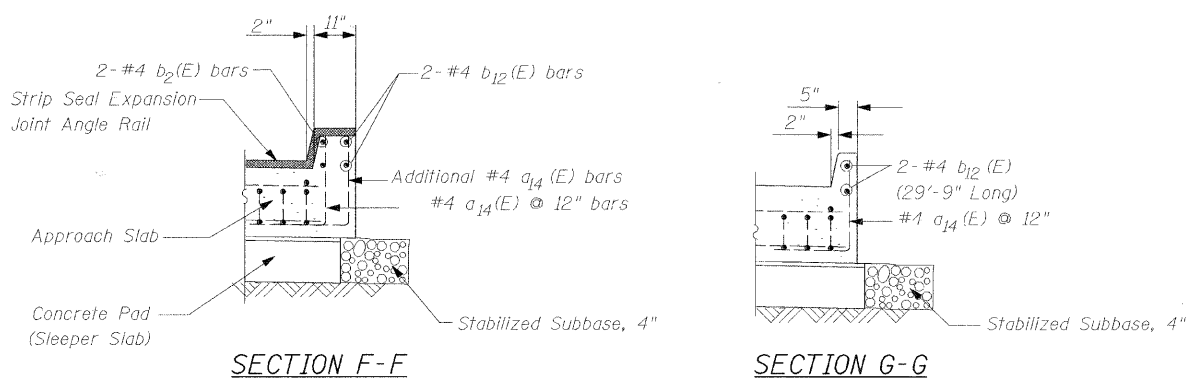


**BAR b13(E)**



**NEW INLET BOX DETAIL AT APPROACH SLAB**

(Cost of Flashing and Slide Bearing Included with New Inlet)



**SECTION F-F**

**SECTION G-G**

Notes:  
 See Sheet 43 for Section J J & Section K K.  
 See Bridge Approach Pavement Sta. 420401 for additional details.  
 All reinforcement bars shall be Epoxy Coated.

**DESIGN STRESSES**

$f_y = 60,000$  p.s.i.  
 $f'_c = 4,000$  p.s.i.  
 $n = 8.1$

△					
△					
△					
△					
△					
△					
REV. NO.	DATE	REVISION RECORD	MADE BY	CHECKED BY	

**WJE** Wiss, Janney, Elstner Associates, Inc.  
 Engineers, Architects, Material Scientists  
 330 Pfingsten Road, Northbrook, IL 60062  
 (847) 272-7400, Fax: (847) 291-4813  
 WJE No. 2008.2324

**THE CITY OF LAKE FOREST**  
 CHARTERED 1861

ILLINOIS DEPARTMENT OF TRANSPORTATION  
 BUREAU OF LOCAL ROADS AND STREETS

PROJECT: **OLD ELM ROAD OVER EAST SKOKIE DITCH**

TITLE: **PLAN BRIDGE APPROACH PAVEMENT (SPECIAL)**

SCALE: N.T.S. DRAWN BY: IMG  
 DATE: JANUARY 2008 CHECKED BY: NSA

DATE: 2/2/2008 FILENAME: p:\2006\2301-2400\2006.2324-nanderson-old elm design\microstation-final\c-42.dgn