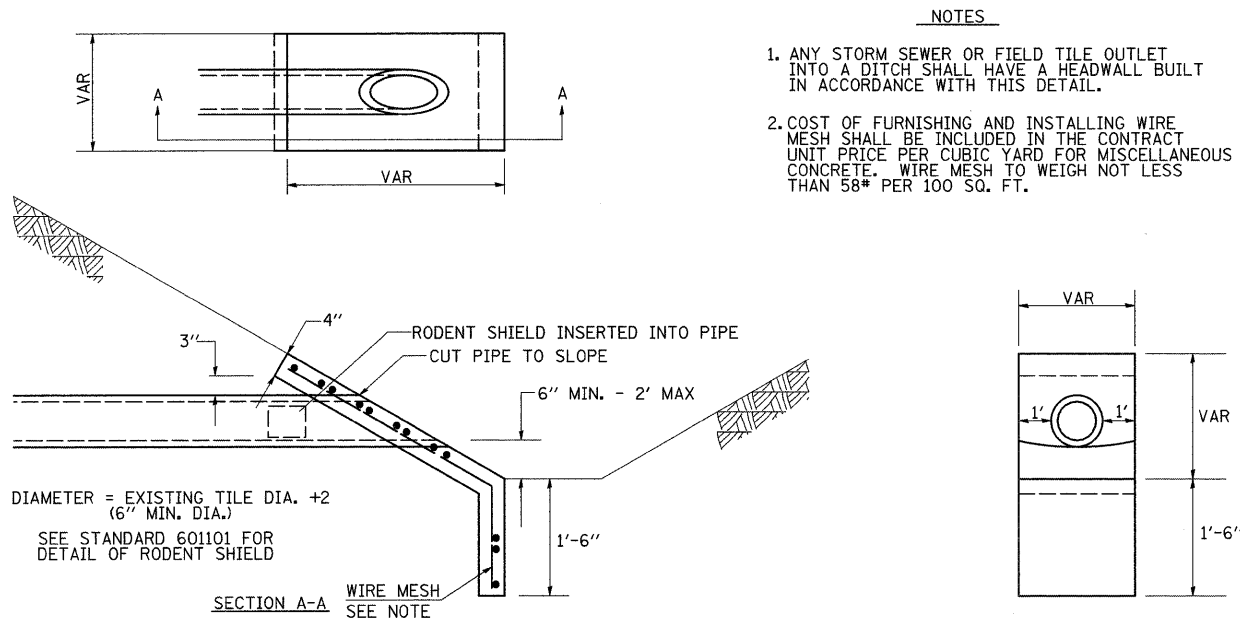


SLOPE WALL FOR FIELD TILE OUTLETS

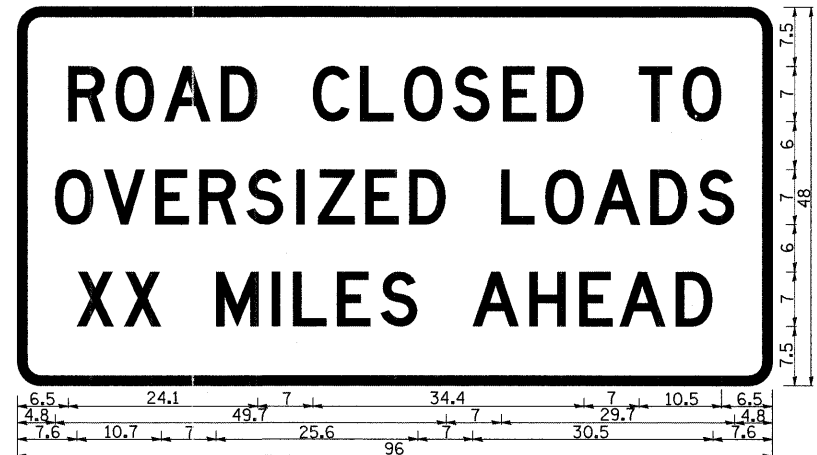


- NOTES**
1. ANY STORM SEWER OR FIELD TILE OUTLET INTO A DITCH SHALL HAVE A HEADWALL BUILT IN ACCORDANCE WITH THIS DETAIL.
 2. COST OF FURNISHING AND INSTALLING WIRE MESH SHALL BE INCLUDED IN THE CONTRACT UNIT PRICE PER CUBIC YARD FOR MISCELLANEOUS CONCRETE. WIRE MESH TO WEIGH NOT LESS THAN 58# PER 100 SQ. FT.

REVISED - 1-24-07

SLOPE WALL FOR FIELD TILE OUTLETS 28.4

ROAD CLOSED TO OVERSIZED LOADS



6.5	24.1	7	34.4	7	10.5	6.5
4.8	10.7	7	49.7	7	29.7	4.8
7.6	10.7	7	25.6	7	30.5	7.6
96						

Permit Loads - Loads Over 13 Feet; 3.0" Radius; 1.3" Border; Black on Orange;
 ROAD CLOSED TO J; OVERSIZED LOADS; D; XX MILES AHEAD; D;
 Table of letter and object lefts.

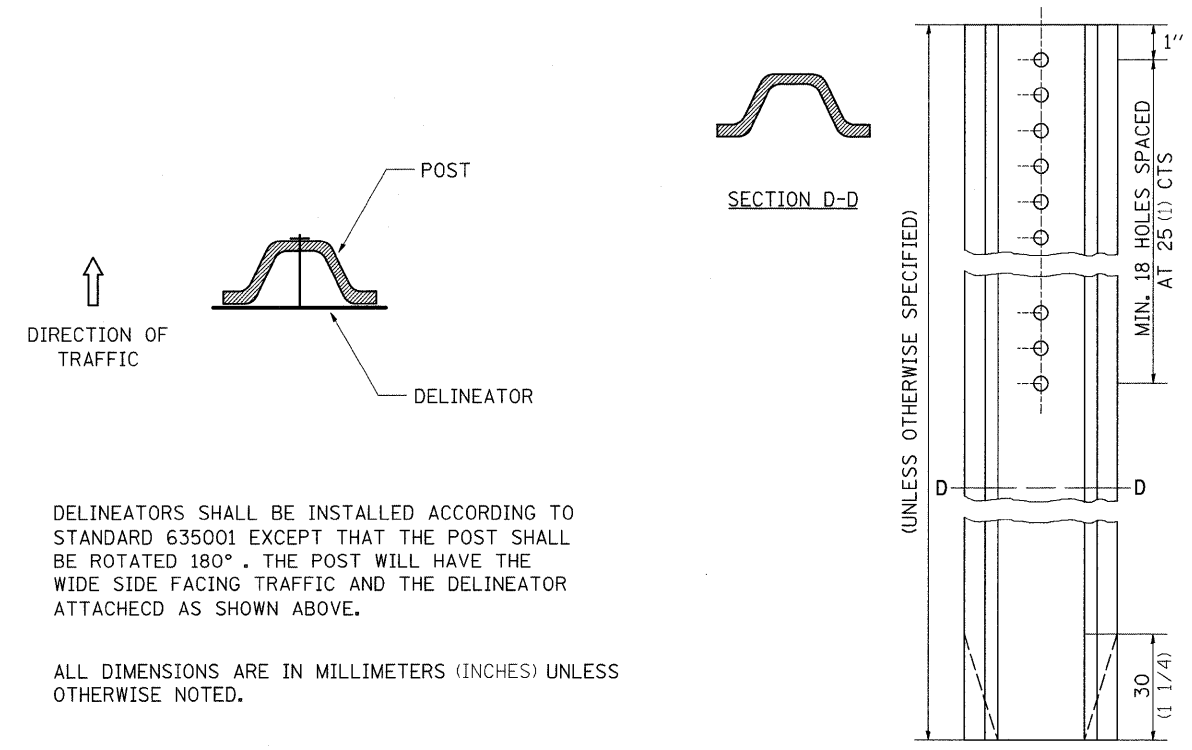
R	O	A	D	C	L	O	S	E	D	F	O		
6.5	12.5	18.7	25.9	37.8	43.8	49.2	55.4	61.8	67.3	73.0	84.8		
O	V	E	R	S	I	Z	E	D	L	O	A	D	S
4.8	11.0	17.6	23.1	29.2	35.5	38.2	44.3	49.8	61.5	67.1	73.3	80.5	86.5
X	X	M	I	L	E	S	A	H	E	A	D		
7.6	13.6	25.3	32.3	35.1	40.6	46.2	57.9	65.1	71.4	76.6	83.7		

All work to furnish and install these signs shall be included in the cost of the Traffic Control Standards and shall not be paid for separately.
 ALL DIMENSIONS ARE IN INCHES UNLESS OTHERWISE NOTED.

REVISED - 1-9-08

ROAD CLOSED TO OVERSIZED LOADS 40.4

DELINEATOR AND POST ORIENTATION



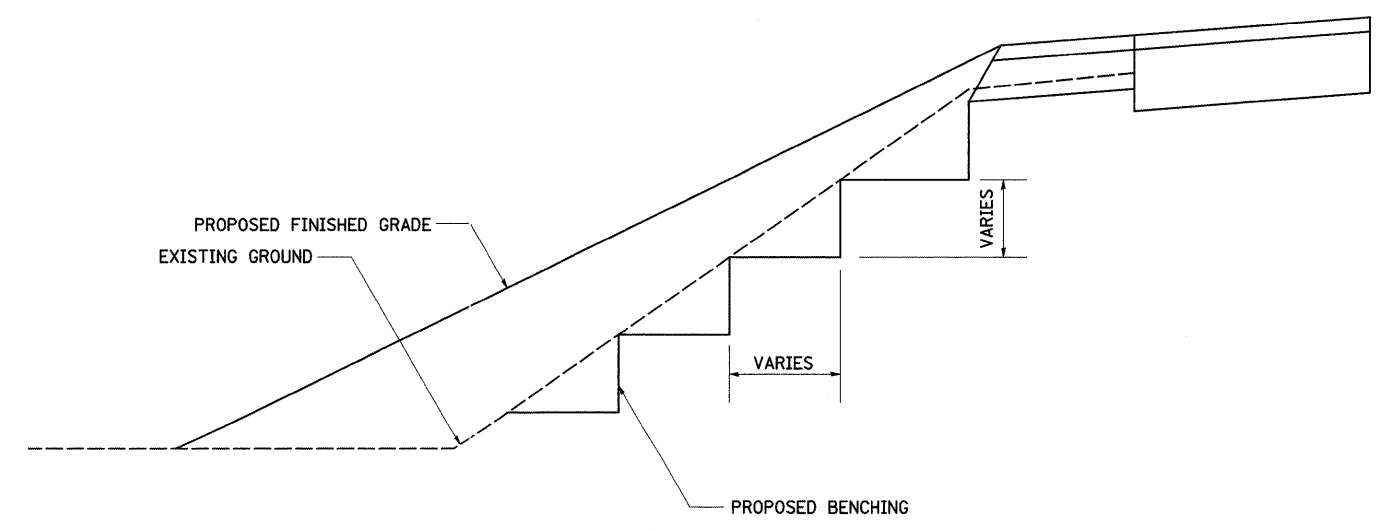
DELINEATORS SHALL BE INSTALLED ACCORDING TO STANDARD 635001 EXCEPT THAT THE POST SHALL BE ROTATED 180°. THE POST WILL HAVE THE WIDE SIDE FACING TRAFFIC AND THE DELINEATOR ATTACHED AS SHOWN ABOVE.

ALL DIMENSIONS ARE IN MILLIMETERS (INCHES) UNLESS OTHERWISE NOTED.

REVISED - 11-01-07

DELINEATOR AND POST ORIENTATION 37.4

TYPICAL BENCHING ON EXISTING EMBANKMENT



REVISED - 2-22-06

TYPICAL BENCHING ON EXISTING EMBANKMENT 50.4

REVISED -	REGION 2 / DISTRICT 2 STANDARD	F.A.P. RTE.	SECTION	COUNTY	TOTAL SHEETS	SHEET NO.
REVISED -		634	138T	HENRY	42	19
REVISED -		CONTRACT NO. 64A77				
REVISED -		SCALE: 5:0000' / IN.		SHEET NO. OF SHEETS STA. TO STA.		FED. ROAD DIST. NO. ILLINOIS FED. AID PROJECT