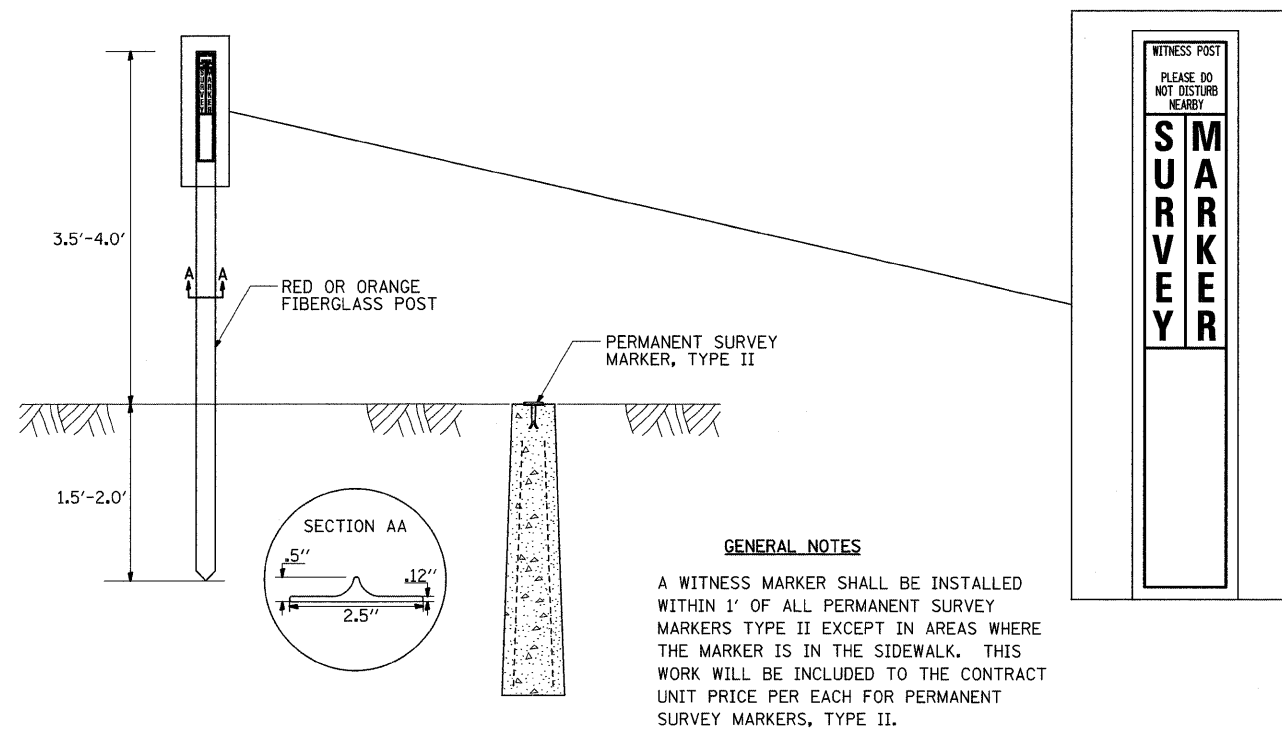
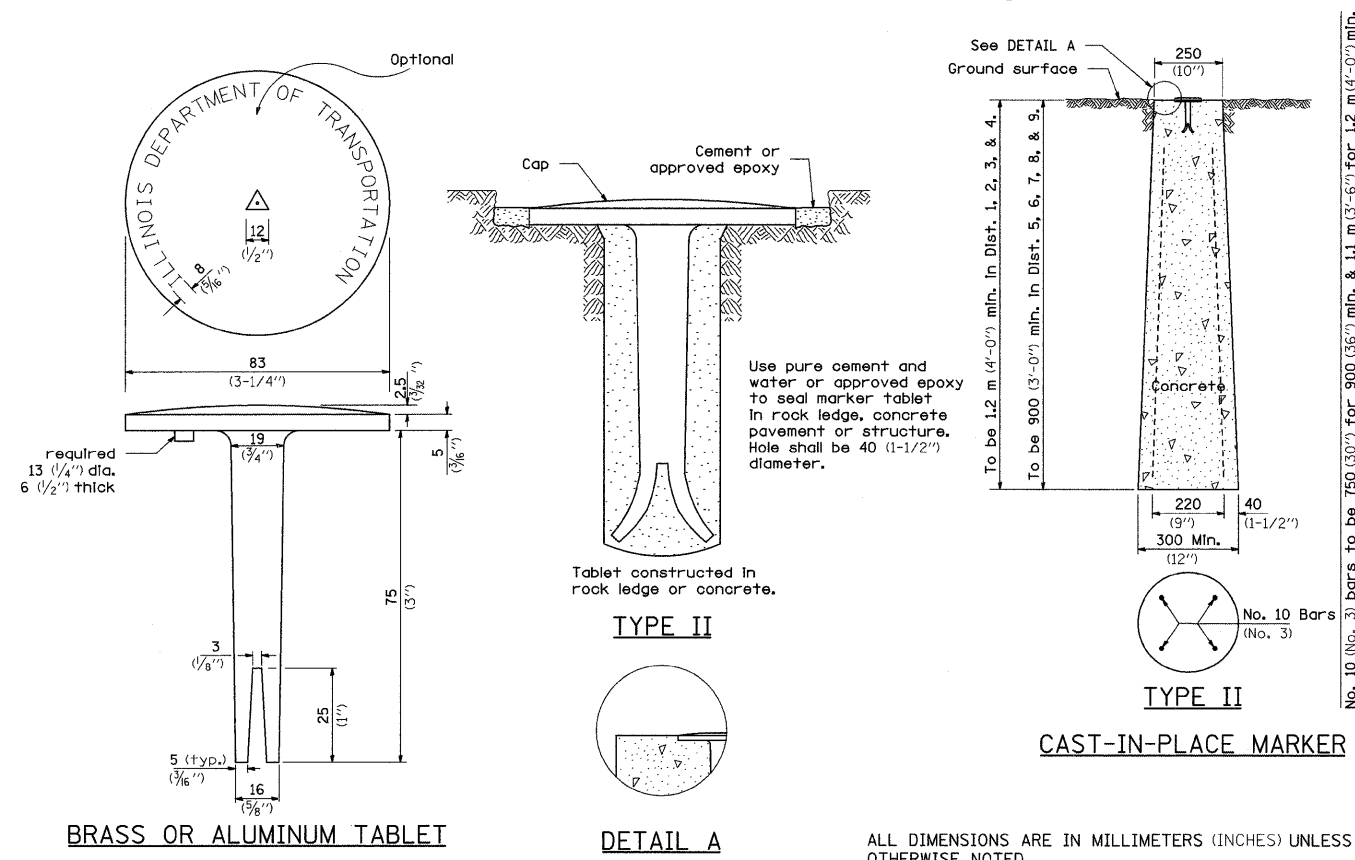


WITNESS MARKER FOR PERMANENT SURVEY MARKERS, TYPE II



PERMANENT SURVEY MARKERS, TYPE II



ALL DIMENSIONS ARE IN MILLIMETERS (INCHES) UNLESS OTHERWISE NOTED.

REVISED - 6-26-06

WITNESS MARKER & PERMANENT SURVEY MARKERS, TYPE II 66.2

REVISED -	REGION 2 / DISTRICT 2 STANDARD	F.A.P. RTE.	SECTION	COUNTY	TOTAL SHEETS	SHEET NO.
REVISED -		634	138T	HENRY	42	22
REVISED -		CONTRACT NO.				
REVISED -		SCALE: 5.0000' / IN.		SHEET NO. OF SHEETS		STA. TO STA.