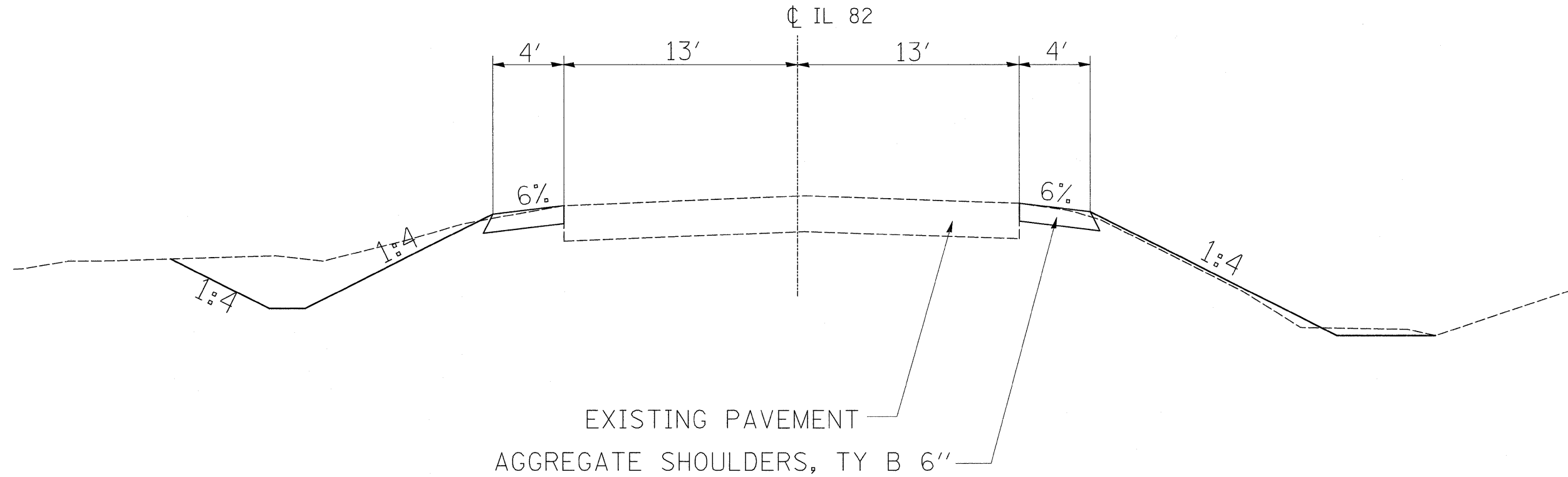


STA 773+00.00 - 775+31.50  
 STA 775+81.50 - 779+00.00



FILE NAME = c:\projects\p210006\d10006typ.dgn	USER NAME = grantpm	DESIGNED -	REVISED -	<b>STATE OF ILLINOIS DEPARTMENT OF TRANSPORTATION</b>	<b>TYPICAL SECTION</b>			F.A.P. RTE.	SECTION	COUNTY	TOTAL SHEETS	SHEET NO.
	PLOT SCALE = 5.0000' / IN.	DRAWN -	REVISED -					638	136T	HENRY	34	6
PLOT DATE = Tue Jan 29 11:47:48 2008	CHECKED -	REVISED -	SCALE:		SHEET NO.	OF	SHEETS	STA.	TO STA.	FED. ROAD DIST. NO.	ILLINOIS FED. AID PROJECT	CONTRACT NO. 64C57