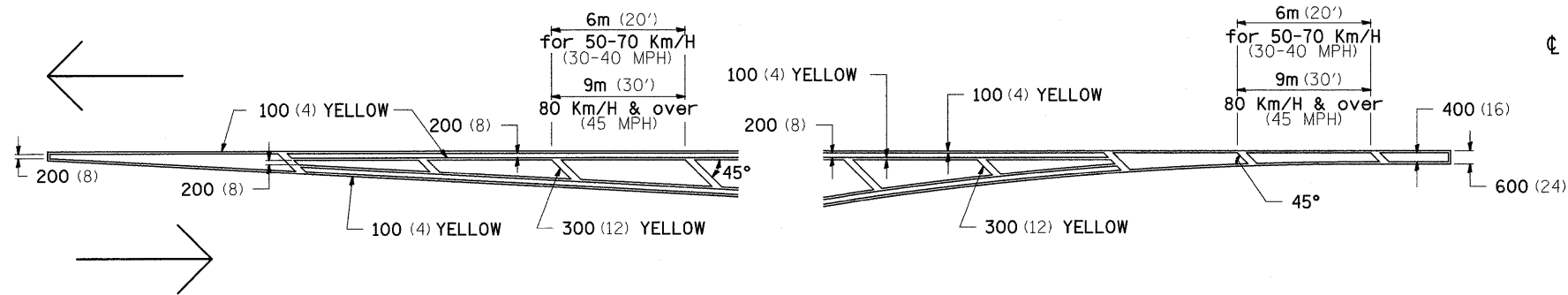
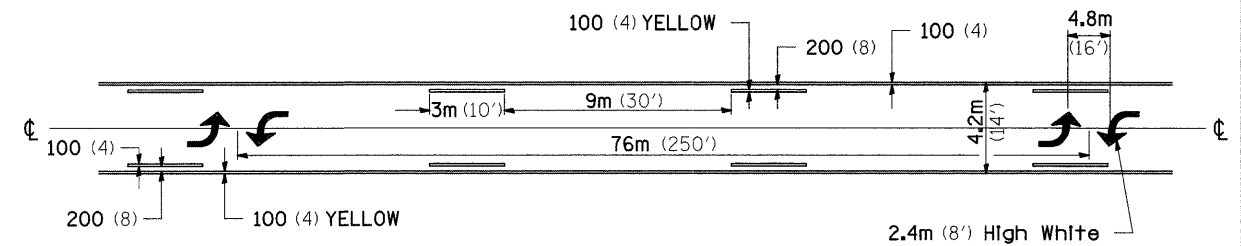


TYPICAL PAVEMENT MARKINGS

TYPICAL PAVEMENT MARKING FOR FLUSH MEDIAN AT LEFT TURN LANE

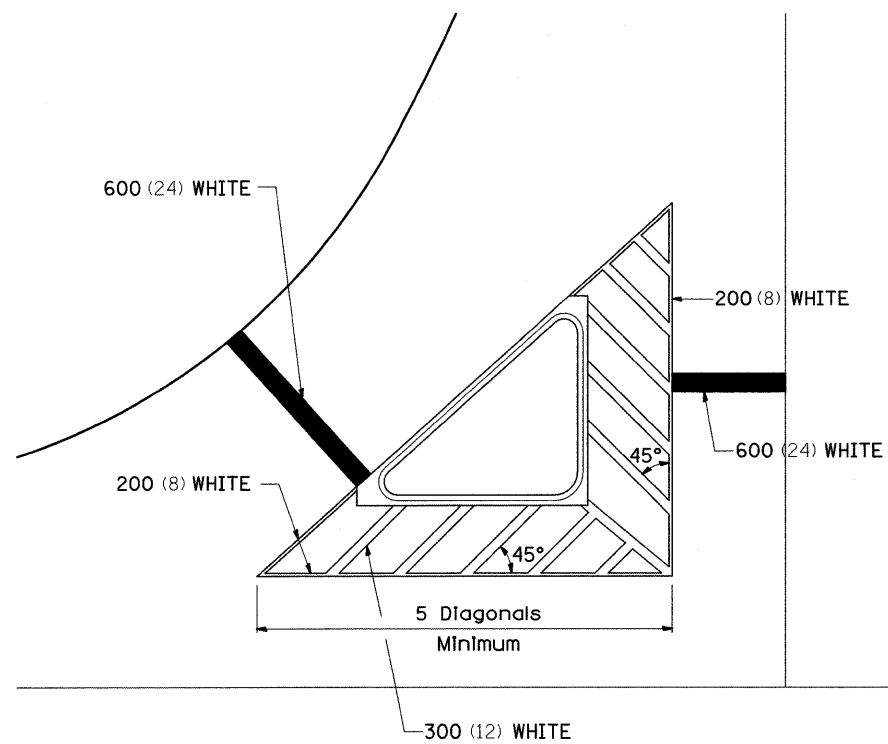


MEDIAN PAVEMENT MARKING

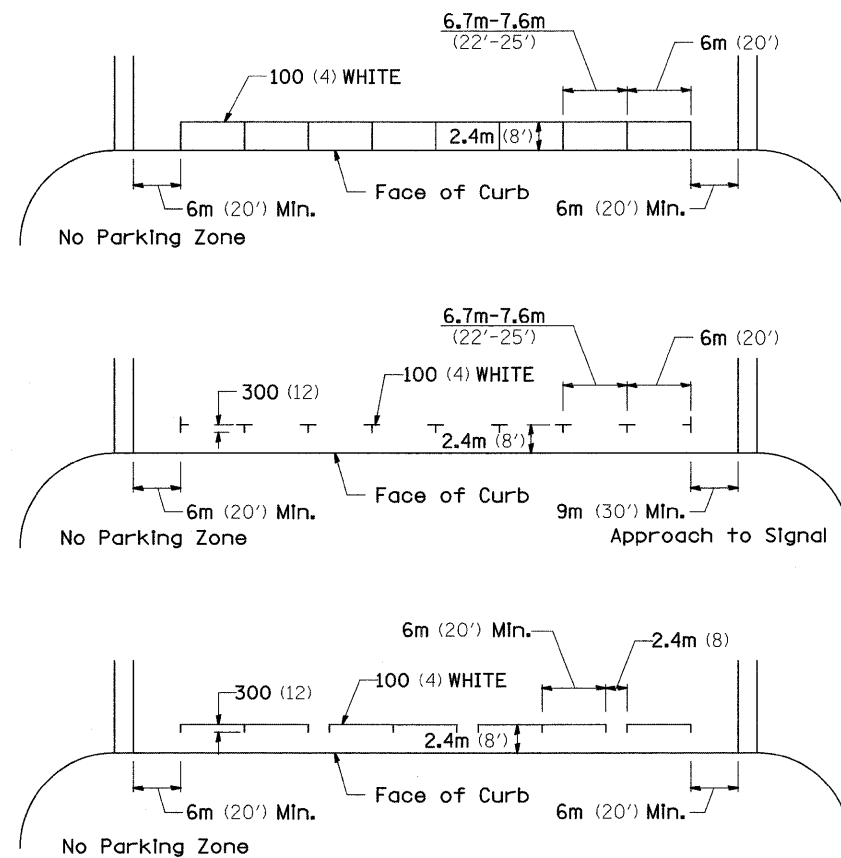


•• ALL DIMENSIONS ARE IN MILLIMETERS (INCHES) UNLESS OTHERWISE NOTED.

TYPICAL ISLAND OFFSET SHOULDER WIDTH

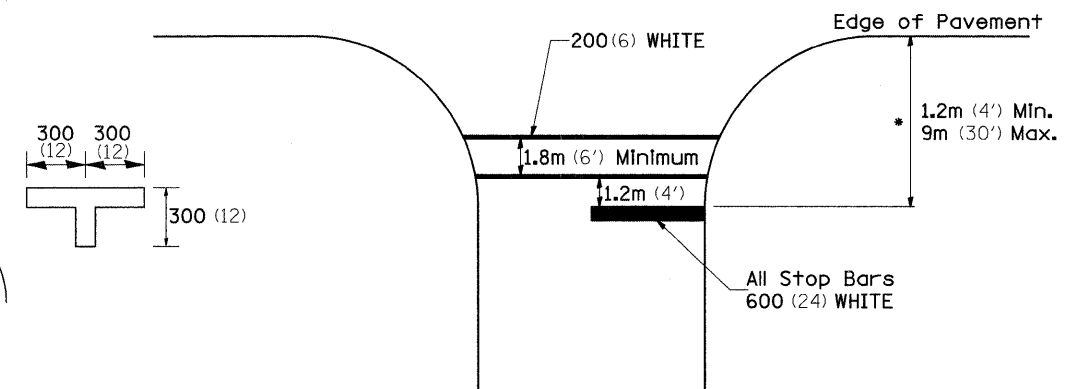


TYPICAL PARKING SPACING



STANDARD CROSSWALK MARKING

See Schedules for Locations



* Distance to the nearest edge of the intersecting roadway in the absence of a marked crosswalk.

FILE NAME = c:\projects\p210006\dl0006sp1.dgn	USER NAME = grantpm	DESIGNED -	REVISED - 1-11-08	STATE OF ILLINOIS DEPARTMENT OF TRANSPORTATION	REGION 2 / DISTRICT 2 STANDARD			F.A.P. RTE. 638	SECTION 136T	COUNTY HENRY	TOTAL SHEETS 34	SHEET NO. 29			
	PLOT SCALE = 50.0000' / IN.	DRAWN -	REVISED -					SCALE:	SHEET NO.	OF	SHEETS	STA.	TO STA.	FED. ROAD DIST. NO.	ILLINOIS FED. AID PROJECT
	PLOT DATE = Tue Jan 29 11:45:10 2008	CHECKED -	REVISED -												
		DATE -	REVISED -												CONTRACT NO. 64A57